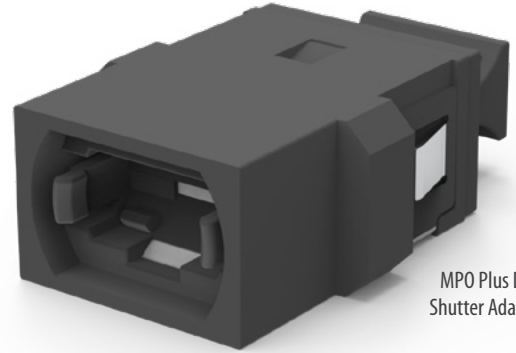


## **MPO<sup>+</sup>PLUS<sup>®</sup>** **DUST SHUTTER ADAPTER** **7D7 / 7D8 / 7WA / 7WB Series**



MPO Plus Dust Shutter Adapter

SENKO's MPO Plus Shutter adapters are available for either center key MPO connectors (12, 24, 48 and 72 fibers) or offset key MPO connectors (16 and 32 fibers). The single port version is designed for applications where the adapter is placed at the rear of fiber management cassettes, patch panels, or test equipment. These adapters can either be snapped into panel cut-outs or screwed into place using an appropriate screw and nut.

The SENKO MPO Plus Dust Shutter adapter offers convenience, protection, and compatibility, making it a valuable choice for data centers, telecom, and other applications requiring MPO connectivity with automated dust and laser protection. If you're working with MPO connectors, this adapter can enhance reliability and simplify maintenance tasks.

### FEATURES

- Dust protection
- Laser eye protection
- Internal twin shutter
- Center or offset keyways
- Flanged and reduced flange

### APPLICATIONS

- Artificial intelligence (AI)
- FTTx
- Broadcasting
- Medical imaging
- Data center
- Cloud computing
- High performance computing (HPC)

### KEY BENEFITS

- ✓ IP5x rated
- ✓ Eye safety
- ✓ IEC tested for laser attenuation shutter
- ✓ Hands-free non-contact shutter

# MPO<sup>PLUS</sup> DUST SHUTTER ADAPTER

## 7D7 / 7D8 / 7WA / 7WB Series

MPO PLUS DUST SHUTTER ADAPTER DATA SHEET

### Mechanical Data

	Value
Durability	50 Matings per GR-1435
Fixing Method	Snap-fit or screw and nut ( <i>adapter with flange</i> )
Housing Material Type	Plastic
Shutter Material Type	Metal and Plastic
Dust Protection Method	Integrated shutter mechanism ( <i>operated by connector insertion</i> )

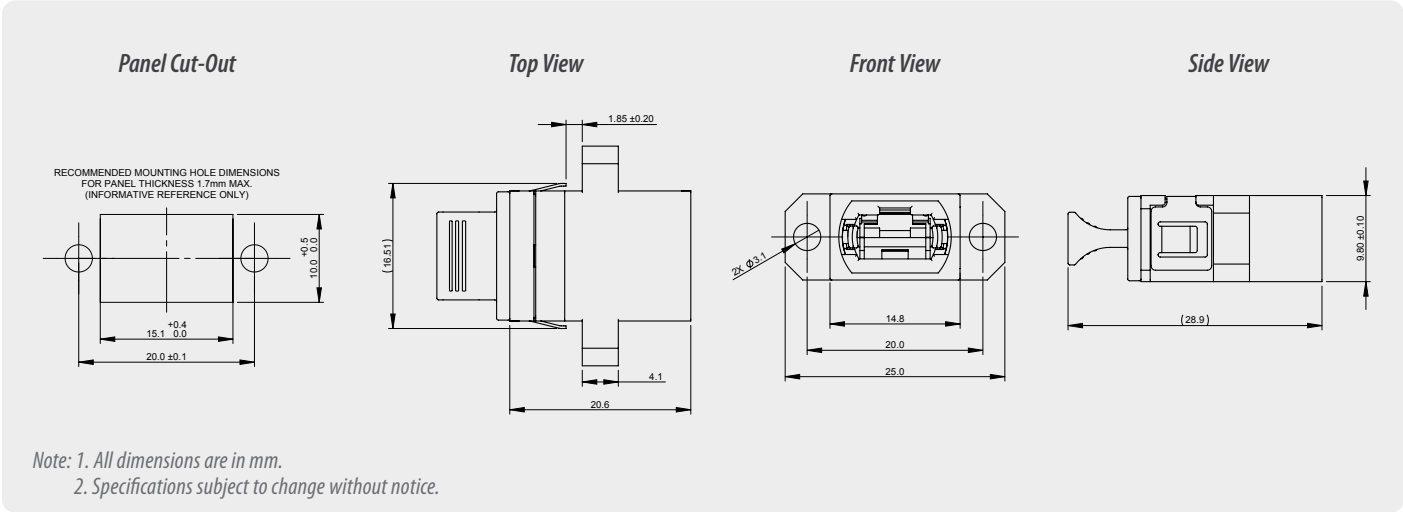
### Environmental Data

	Value
Operating Temperature	-40°C to +75°C
RoHS Compliance	Yes
REACH Compliance	Yes

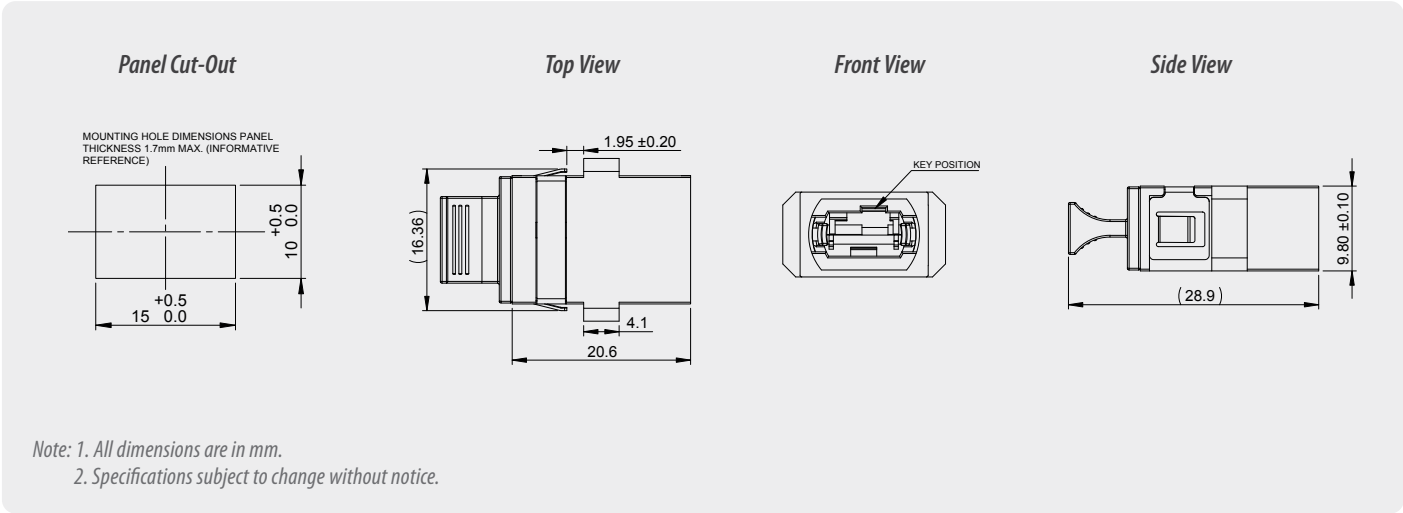
**MPO+PLUS<sup>®</sup> DUST SHUTTER ADAPTER**  
**7D7 / 7D8 / 7WA / 7WB Series**

MPO PLUS DUST SHUTTER ADAPTER DATA SHEET

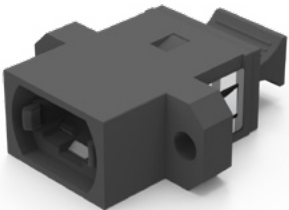
**Adapter Drawing - Center Keyway with Flange**



**Adapter Drawing - Offset Keyway No Flange**



**ORDERING**



MPO Plus Dust Shutter Adapter with Flange

ADAPTER FLANGE		ADAPTER COLOR		SHUTTER	
7D7	Flange	1	Black	A	With Shutter
7D8	No Flange	2	Aqua		
7WA	MPO 16/32F, Flange	3	Heather Violet		
7WB	MPO 16/32F, No Flange	8	Lime		
		K	Gray, Aligned Key		

7D7 - 1A ORDER CODE example

Note: Front shuttered side is compliant with female MPO connectors only.

# MPO<sup>PLUS</sup> DUST SHUTTER ADAPTER

## Accessories

MPO PLUS DUST SHUTTER ADAPTER DATA SHEET

### Accessories - Cleaning

#### Smart Cleaner<sup>+</sup>

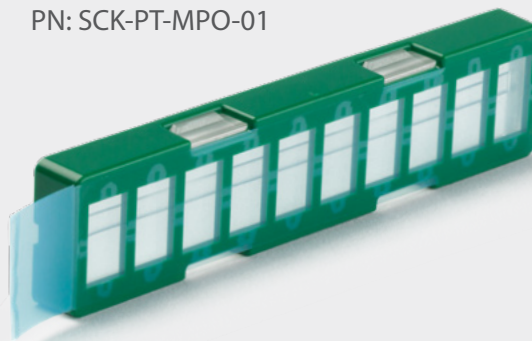
PN: SCK-SS-MPO (12/24F Center Key Connectors)  
PN: SCK-SS-MPO-02 (16/32F Offset Key Connectors)



#### MPO<sup>PLUS</sup>

#### OPTRES Gel Cleaner

PN: SCK-PT-MPO-01



### Accessories - Interferometry

#### SUMIX Manta W+ Inspection Scope

PN: SMX-Manta-W+



- Inspects 12 fiber in 2.6 seconds, 24 fiber in 4.5 seconds
- 0.5µm defect detection
- Inspection tips for MPO, CS, SN, LC available

#### SUMIX Max QM+ Inspection Scope

PN: MAX-Quantum



- Inspects 12 fiber in 2.6 seconds, 24 fiber in 4.5 seconds
- 0.5µm defect detection

#### SMX Manta W+ MPO Polarity and Continuity Module

PN: MPO Verifier



- Works for 8, 12, 24, 48 and 16, 32 fiber MPO
- Auto test and analysis

#### SMX Manta W+ Benchtop Holder

PN: MNT-W-Stand



# SENKO<sup>®</sup>

Advanced Components

[sales@senko.com](mailto:sales@senko.com)  
1-858-623-3300

[senko.com/contact](https://senko.com/contact)