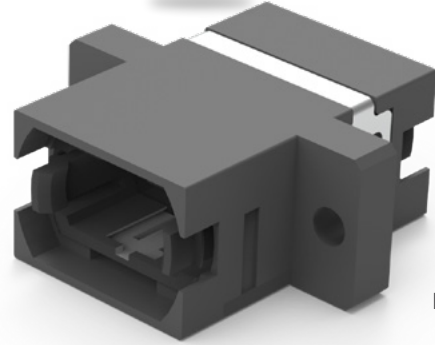




## **MPO<sup>+</sup>PLUS<sup>®</sup> SC FOOTPRINT ADAPTER**

### **775 / 776 / 7W5 / 7W6 Series**



MPO Plus SC  
Footprint Adapter

SENKO's MPO Plus SC footprint is a durable one-piece design that fits standard SC adapter openings, ideal for current SC layouts. It features an optional unique external shutter to reduce ingress of contamination, providing laser and dust protection. The adapter is compatible with standard MPO connectors and is offered in 12/24F Center Key and 16/32F Offset Key options for different ferrule configurations.

Available in flanged and no-flange options, with various colors, this adapter suits high-density fiber optic networks in data centers, telecoms, and enterprises. Its compact design meets GR-1435 standards for reliability, guaranteeing outstanding performance with low maintenance.

#### FEATURES

- GR-1435 qualified
- Fits standard SC size panels
- Center and offset keyways
- One piece outer body construction
- Flanged and reduced flange

#### APPLICATIONS

- Artificial intelligence (AI)
- FTTx
- Telecommunications
- Medical imaging
- Data center
- Cloud computing
- High performance computing (HPC)

#### KEY BENEFITS

- ✓ **Color coded for fiber type identification**
- ✓ **Compatible with industry standard MPO connectors**

## Mechanical Data

	Value
Durability	500 matings per TIA-568.3
Fixing Method	Snap-fit or screw and nut ( <i>adapter with flange</i> )
Housing Material Type	Plastic

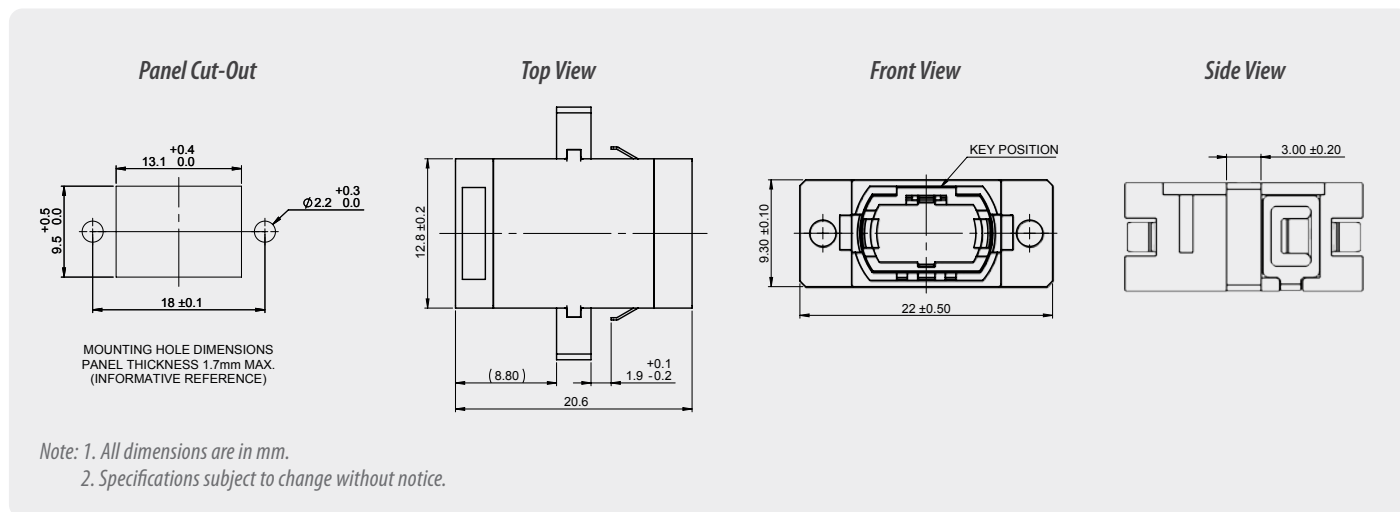
## Environmental Data

	Value
Operating Temperature	-40°C to +75°C
RoHS Compliance	Yes
REACH Compliance	Yes

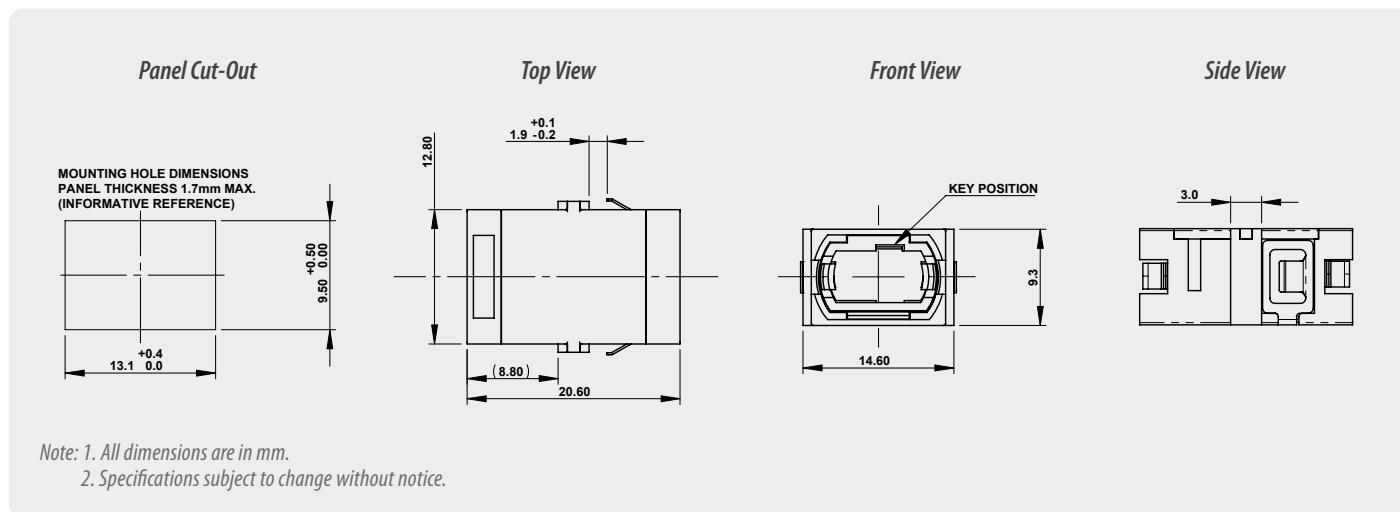
# MPO<sup>PLUS</sup> SC FOOTPRINT ADAPTER

## 775 / 776 / 7W5 / 7W6 Series

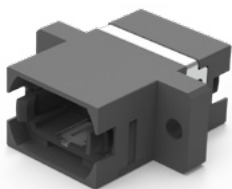
### Adapter Drawing - 775-x Center Keyway with Flange



### Adapter Drawing - 7W6-x Offset Keyway no Flange



#### ORDERING



MPO Adapter SC  
Footprint with Flange

ADAPTER FLANGE		ADAPTER COLOR	
775	Flange (Standard Flange)	1	Black
776	No Flange (Reduced Flange)	2	OM3 Aqua
7W5	MPO 16/32F, Standard Flange	3	OM4 Heather Violet
7W6	MPO 16/32F, No Flange	K	Gray Aligned Key

775 - 1 ORDER CODE example

Accessories - Cleaning

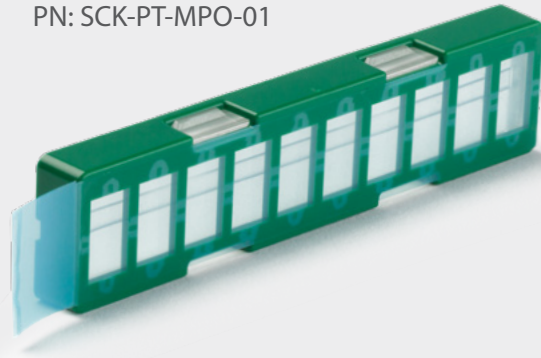
Smart Cleaner<sup>™</sup>

PN: SCK-SS-MPO (12/24F Center Key Connectors)  
PN: SCK-SS-MPO-02 (16/32F Offset Key Connectors)



MPO-PLUS<sup>®</sup>

OPTRES Gel Cleaner  
PN: SCK-PT-MPO-01



Accessories - Interferometry

SUMIX Manta W+ Inspection Scope

PN: SMX-Manta-W+



- Inspects 12 fiber in 2.6 seconds, 24 fiber in 4.5 seconds
- 0.5µm defect detection
- Inspection tips for MPO, CS, SN, LC available

SUMIX Max QM+ Inspection Scope

PN: MAX-Quantum



- Inspects 12 fiber in 2.6 seconds, 24 fiber in 4.5 seconds
- 0.5µm defect detection

SMX Manta W+  
MPO Polarity and Continuity Module

PN: MPO Verifier



- Works for 8, 12, 24, 48 and 16, 32 fiber MPO
- Auto test and analysis

SMX Manta W+ Benchtop Holder

PN: MNT-W-Stand



# SENKO<sup>®</sup>

Advanced Components

[sales@senko.com](mailto:sales@senko.com)  
1-858-623-3300

[senko.com/contact](https://senko.com/contact)