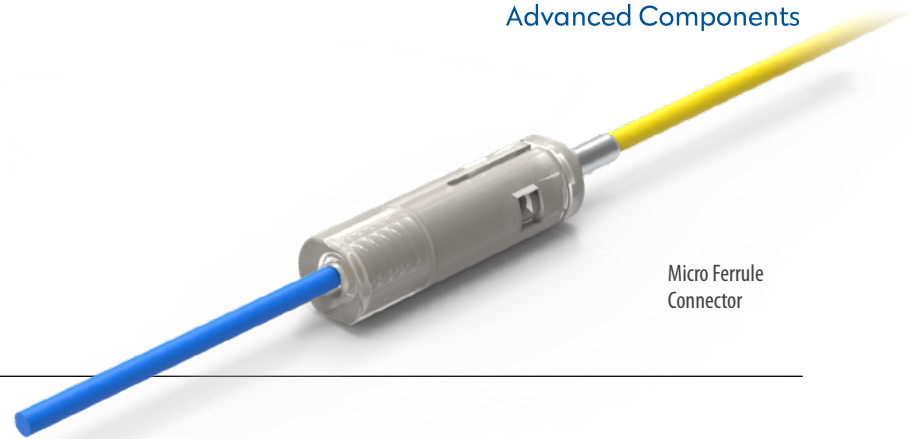


Micro FERRULE CONNECTOR



Micro Ferrule
Connector

SENKO's Micro Ferrule connector boasts a 1.25 mm ferrule, redefining compactness while delivering exceptional performance. Purpose-built for space-constrained environments to ensure efficient utilization of available space. It seamlessly integrates into existing infrastructure by mounting on splice trays, you significantly reduced on field operation time and cost, streamline fiber management, reduce clutter, and enhance overall organization. The secure bayonet latching mechanism ensures reliability, preventing accidental disconnections. High precision ferrules and sleeves guarantee exact alignment, crucial for signal integrity in single-mode (SM), multimode (MM) and polarization-maintaining (PM) fibers.

Whether optimizing data centers or embracing on-board optics inside equipment and pluggable optics transceivers, consider this connector as your trusted ally, combining innovation, reliability, and precision.

FEATURES

- Space saving design
- Splice tray mountable
- Secure latching
- High precision ferrules and sleeve
- Compatible with both UPC and APC polishes
- PM version available
- Ferrule available to accommodate 125 μm and 80 μm fiber
- Scalable for high volume production

APPLICATIONS

- Data center
- On board optics
- Pluggable transceiver

KEY BENEFITS

- ✓ **Small footprint**
- ✓ **Precise alignment for 1.25 mm OD ceramic ferrule**
- ✓ **For both SM and PM fiber**
- ✓ **On field operation time and cost saving compared to splicing**

Mechanical Data

| | Value |
|-----------------------|---|
| Durability | 500 matings per GR-326/TIA-568 |
| Fixing Method | Splicing tray or customized mount clip to PCB board |
| Housing Material Type | Plastic |
| Ferrule Material | Zirconia |
| Cable Suitable | 900 μm buffered fiber |

Optical Data

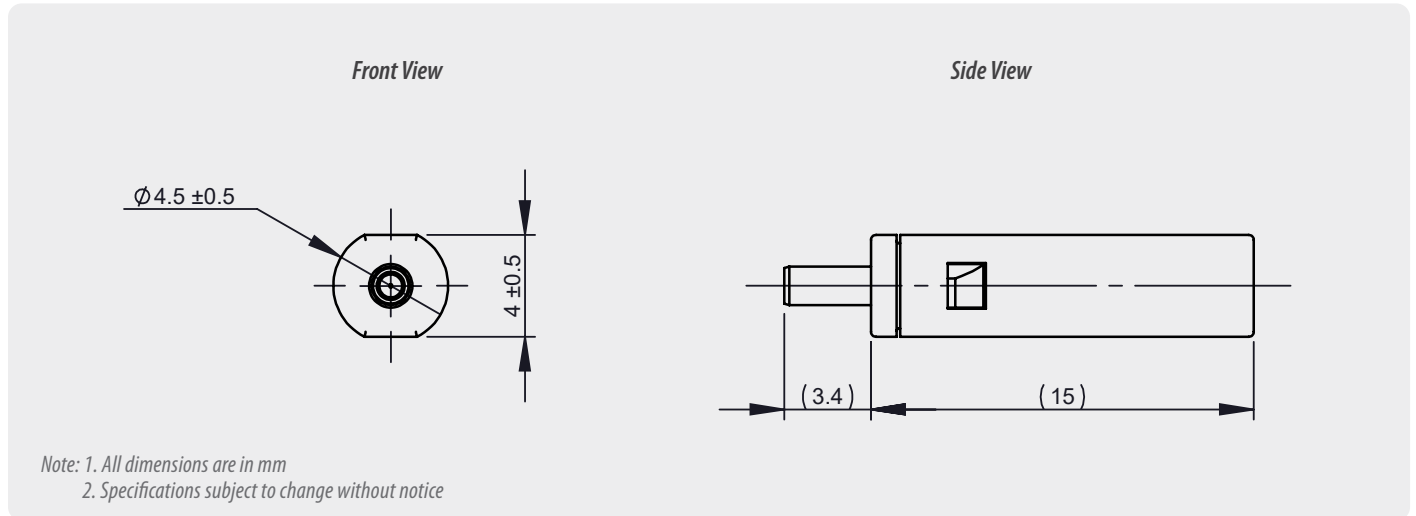
| | Singlemode | | Multimode |
|------------------------------|------------|------------|------------|
| | UPC | APC | UPC |
| | SM Premium | SM Premium | MM Premium |
| Typical Insertion Loss (dB)* | 0.08 | 0.12 | 0.10 |
| Max. Insertion Loss (dB)* | 0.20 | 0.25 | 0.20 |
| Typical Return Loss (dB)* | ≥55 | ≥65 | ≥25 |

* Based on master grade jumper mating test, per ferrule/endface.

Environmental Data

| | Value |
|-----------------------|----------------|
| Operating Temperature | -40°C to +75°C |
| RoHS Compliance | 2015/863 RoHS |
| REACH Compliance | Yes |
| Humidity Resistance | 95% |

Connector Drawing



ORDERING



| CODE | | FERRULE TYPE I.D. | | HOUSING COLOR | | TYPE | |
|------|-------------------------|-------------------|---------------------|---------------|-------------|------|----------|
| 9K1 | Micro Ferrule Connector | 151 | SM Premium | T | Transparent | 1 | Standard |
| | | 081 | 80 μ m Standard | | | | |
| | | 251 | MM Premium | | | | |

9K1 - 151 - T1 ORDER CODE example

Note: Only the Micro Ferrule Connector assembly is currently available, part number is for reference when choosing the connector.

SENKO[®]

Advanced Components

sales@senko.com
1-858-623-3300

senko.com/contact