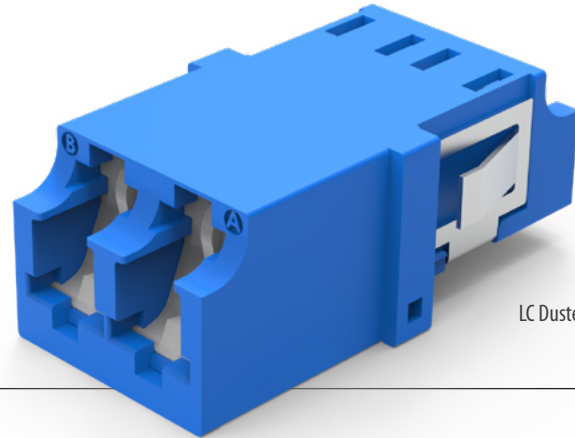


LC DUST SHUTTER ADAPTER Series 98D



LC Dust Shutter Adapter

The SENKO LC Dust Shutter Adapter is a state-of-the-art device engineered to protect fiber optic connectors from dust contamination. This adapter is particularly beneficial when the port is not in use, ensuring the integrity of the connection is preserved. Available in both Duplex and Quadruplex configurations, it is designed to fit panels with SC and SC DX footprints, offering versatility for different setups.

The adapter boasts an integral hands-free shutter mechanism that automatically shields the behind-the-wall connector from dust particles. This feature provides a hassle-free experience for users by eliminating the need for manual cleaning, thereby enhancing the reliability of the connection. Offered in a variety of models, colors, and materials, the SENKO LC Dust Shutter Adapter can meet a wide range of requirements. The materials used in its construction are compliant with RoHS and REACH standards, ensuring they are environmentally friendly and safe for users. Each adapter is carefully sealed with dust caps and packaged securely to prevent any damage during transit, which underscores SENKO's commitment to quality and customer satisfaction.

In summary, the SENKO LC Dust Shutter Adapter is a robust, reliable, and user-friendly solution that addresses the critical need for dust protection in fiber optic connections. Its automatic shutter mechanism and compatibility with various panels make it an indispensable component for maintaining the cleanliness and efficiency of fiber optic systems.

FEATURES

- IP5X dust protection
- 100% automatic shutter action
- SC footprint for non-shutter side
- Rattle-free clip design
- Adapter traceability with visible light source
- Available in duplex & quad
- Flanged and non-flanged options

APPLICATIONS

- Telecommunications
- Data centers
- Local area networks (LANs)
- Fiber to the home (FTTH)
- Fiber to the antenna (FTTA)
- Enterprise networks
- Medical equipment
- Industrial applications
- Military and aerospace
- Broadcasting

KEY BENEFITS

- ✓ **Eye safety**
- ✓ **Space savings**
- ✓ **EMI plate**
- ✓ **Ease of installation**
- ✓ **Simplified troubleshooting and fault diagnosis**

Mechanical Data

	Value
Durability	500 matings
Fixing Method	Snap fit (<i>adapter without flange</i>) or screw and nut (<i>adapter with flange</i>)
Housing Material	Plastic
Alignment Sleeve Material	Zirconia
Fiber Count	Duplex or quad (<i>2 or 4 channel</i>)
Dust shutter Mechanism	Non contact internal shutter

Optical Data

	Value
Typical Insertion Loss (dB)*	0.10
Max. Insertion Loss (dB)*	0.20

* Based on master grade jumper to low loss random mating test

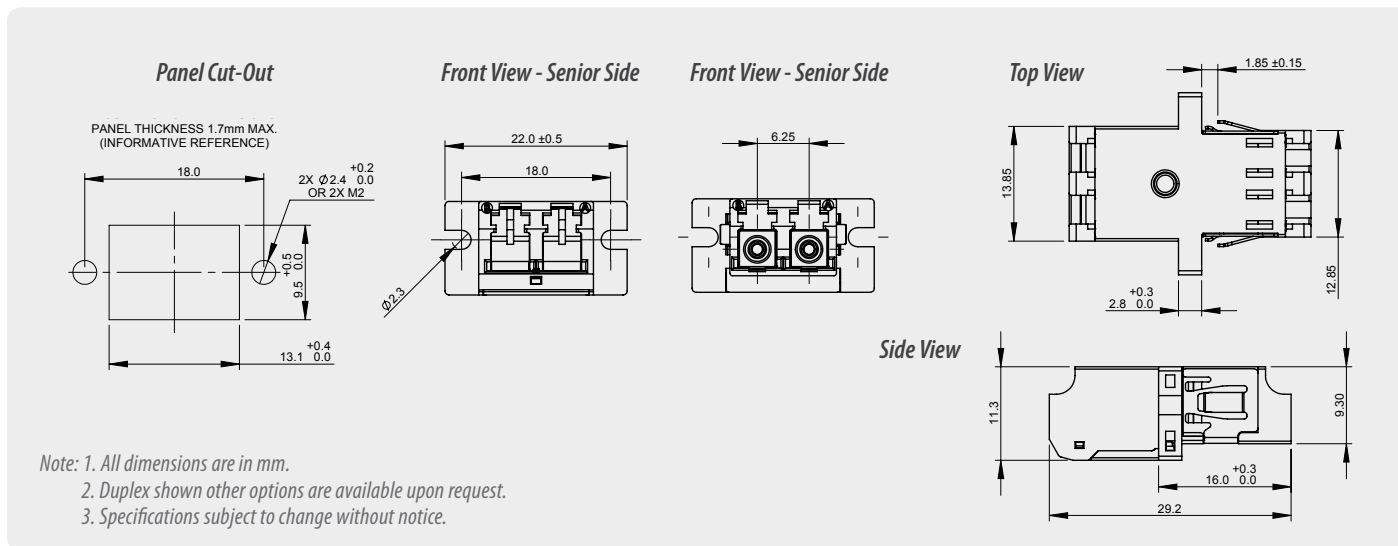
Environmental Data

	Value
Operating Temperature	-40°C to +75°C
RoHS Compliance	Yes
REACH Compliance	Yes
Humidity Resistance	95%

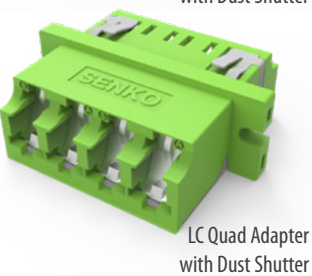
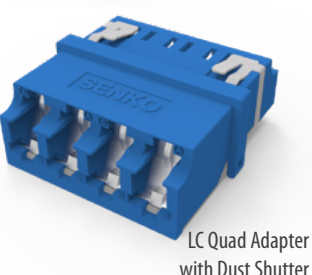
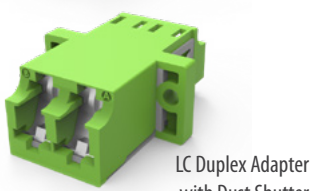
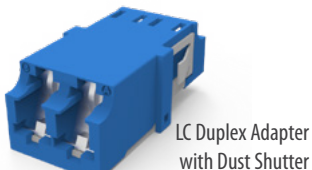
LC DUST SHUTTER ADAPTER

98D Series

Connector Drawing



ORDERING



ADAPTER CODE	TYPE	HOUSING COLOR	SLEEVE TYPE	SHUTTER
98D LC Adapter with Dust Shutter	3 Duplex with Flange	1 Blue	1 Zirconia	A Shutter
	4 Duplex No Flange	3 Green		
	5 Quad with Flange	7 Violet OM4 (MOQ Req)		
	6 Quad No Flange	9 Aqua OM3		

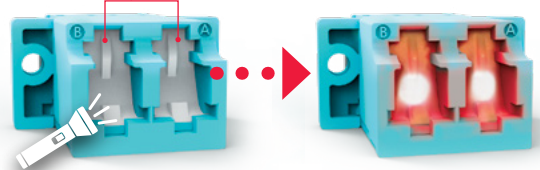
98D - 311 - A ORDER CODE example

LC Adapter Traceability



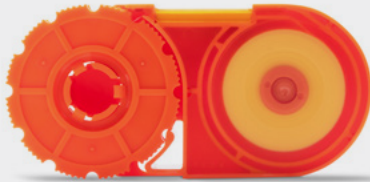
When trying to trace the adapter using a visible light source, you can see the red light glowing through the adapter sleeve.

Automatic shutter mechanism



Accessories - Production/Cleaning

Smart Cleaner™
Cassette
PN: SCK-CC-100



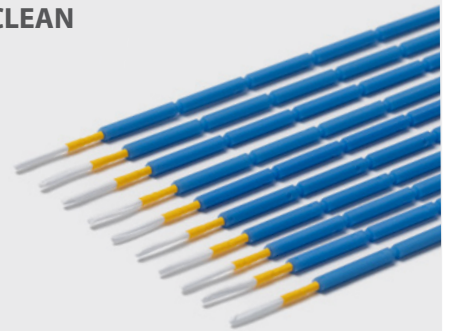
Smart Cleaner™
Mini 1.25 mm Clicker
PN: SCK-SS-M-C125
Refill PN: SCK-SS-CS-R



Smart Cleaner™
1.25 mm Clicker
PN: SCK-SS-CS
Refill PN: SCK-SS-CS-R



**1.25 mm NEOCLEAN
Cleaning Stick**
PN: CSK-01



Accessories - Interferometry

SUMIX Manta W+ Inspection Scope
PN: SMX-Manta-W+



- Inspects 12 fiber in 2.6 seconds, 24 fiber in 4.5 seconds
- 0.5µm defect detection
- Inspection tips for MPO, CS, SN, LC available

SUMIX Max QM+ Inspection Scope
PN: MAX-Quantum



- Inspects 12 fiber in 2.6 seconds, 24 fiber in 4.5 seconds
- 0.5µm defect detection

SENKO[®]

Advanced Components

sales@senko.com
1-858-623-3300

senko.com/contact