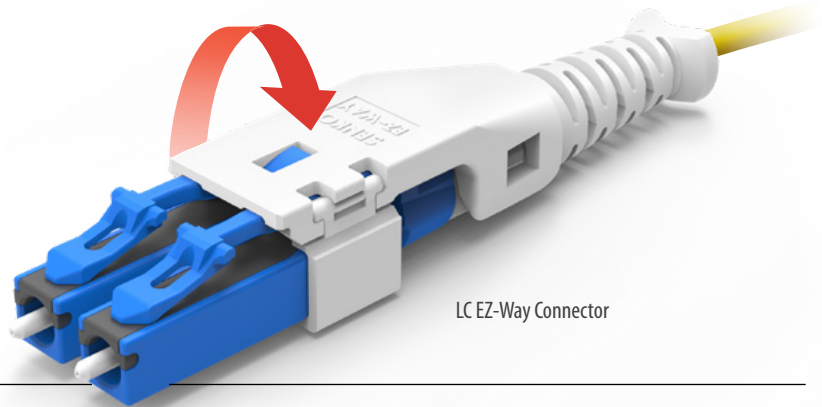


LC **EZ-WAY**[™] CONNECTOR 94Y Series



The SENKO LC EZ-Way[™] Connector is a versatile, high-performance option crafted for seamless integration across different data transmission settings. It features an innovative push-pull boot design that enables quick and easy patching and removal, even in crowded environments. Additionally, it allows for polarity reversing without tools, provides a visual polarity indicator, and is simple to remove from high-density trunk cables where pull-tabs can act like 'fishing hooks'. This connector also supports a belly-to-belly setup for 800G transceivers. Optimised for high-density applications, the connector ensures easy access and enhanced airflow within electronic enclosures, which helps to lower cooling costs and simplify cable management. The LC EZ-Way[™] Connector is especially suitable for data centres, telecommunications, and enterprise networks, where efficient and reliable connectivity is essential. Its compatibility with both 2.0 mm and 3.0 mm cables, along with its capability to manage high data rates, makes it a perfect fit for contemporary networking requirements. In summary, the Senko LC EZ-Way[™] Connector excels due to its ease of use, high performance, and versatility in various applications.

FEATURES

- Polarity reversing without tools
- Visual indicator for polarity
- Easy to remove in high-density trunk cables
- Belly-to-belly configuration for 800G transceivers
- Compact form factor
- Robust construction
- Fully compatible with IEC61754-20

APPLICATIONS

- Telecommunications
- Data centers
- Test and measurement equipment
- Industrial applications
- Medical equipment
- Military and aerospace
- Broadcast

KEY BENEFITS

- ✓ **Optimized for patching**
- ✓ **Polarity changeable without tools**
- ✓ **Easy Installation and extraction**
- ✓ **800G belly-to-belly transceiver**
- ✓ **Compatible**
- ✓ **Low IL and RL performance**
- ✓ **Robust design**

Mechanical Data

	Value
Durability	500 matings per TIA-568
Fiber Count	Duplex (2 fibers)
Cable Suitability	2.0 mm/3.0 mm jacketed
Ferrule Material	Zirconia

Optical Data

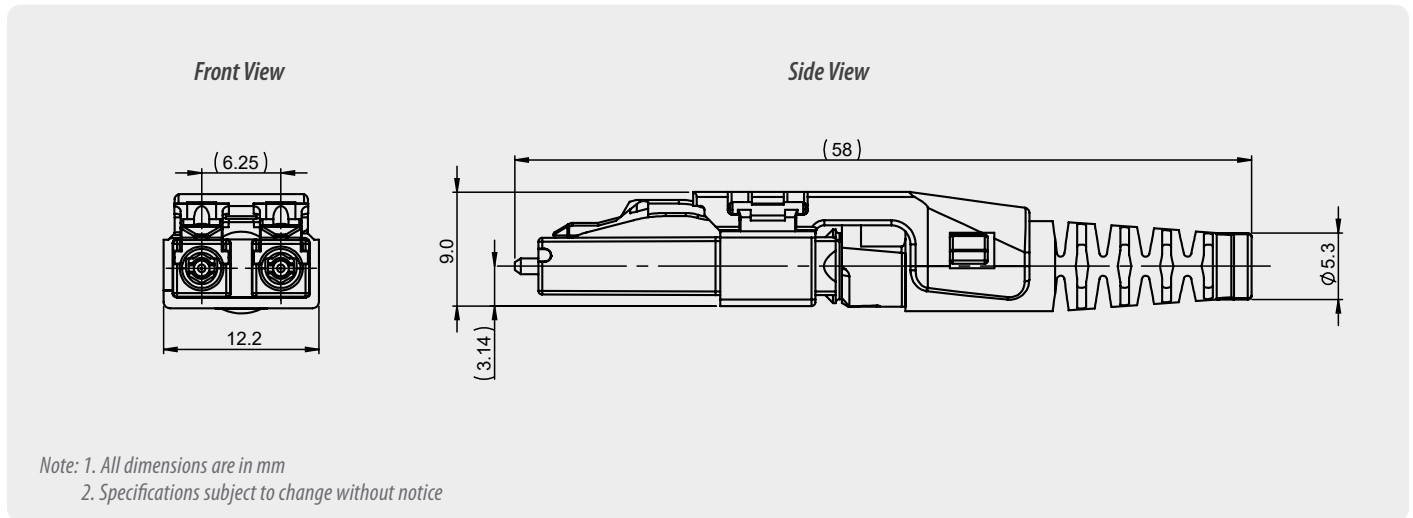
	Singlemode	Multimode
	UPC	MM
	Standard	Standard
Typical Insertion Loss (dB)*	0.12	0.15
Max. Insertion Loss (dB)*	0.30	0.30
Typical Return Loss (dB)*	≥55	≥25
Ferrule Diameter (µm)	125.5	127

* Based on master grade jumper to low loss random mating test

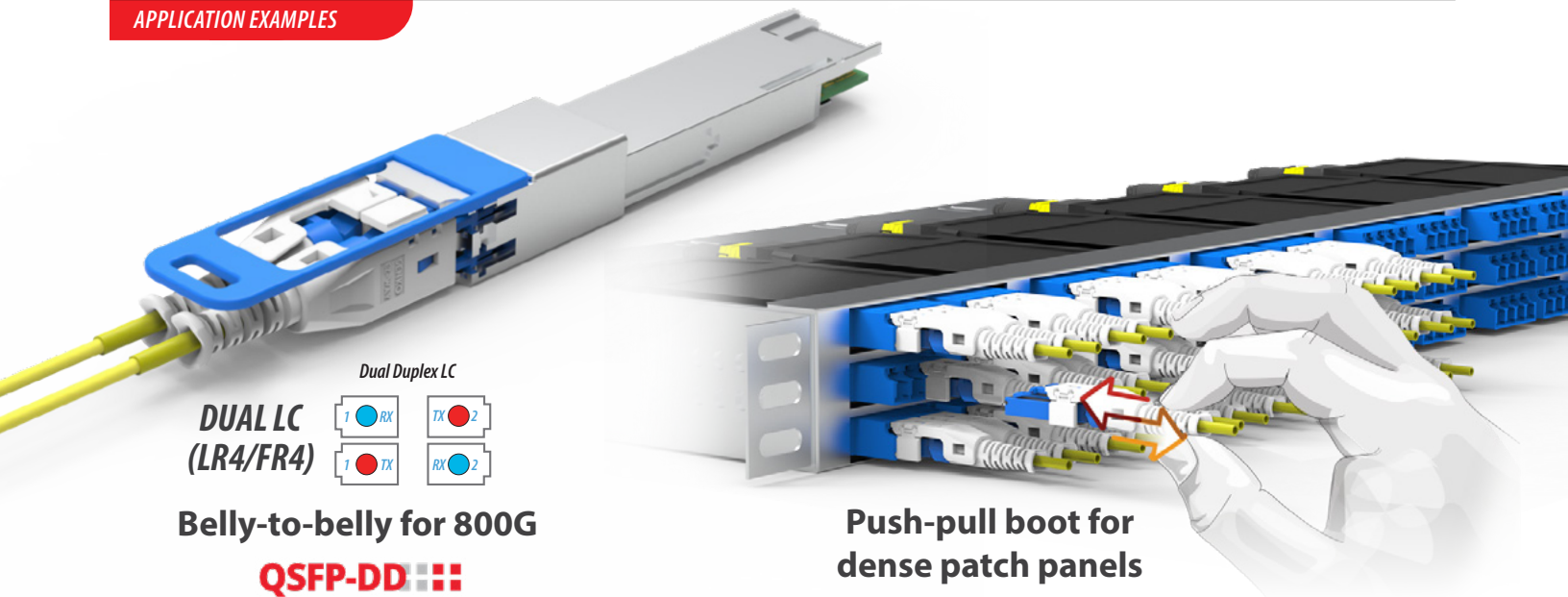
Environmental Data

	Value
Operating Temperature	-40°C to +75°C
RoHS Compliance	2015/863 RoHS
REACH Compliance	Yes
Free of Halogen	Yes
Humidity Resistance	95%

1-Channel Connector Drawing



APPLICATION EXAMPLES



ORDERING



CONNECTOR TYPE	FERRULE TYPE	HOUSING COLOR	BOOT TYPE	BOOT COLOR					
94Y	LC EZ-Way Connector Kit	151	SM Premium	1	Blue	C	Pull-Boot 2.0mm	1	White
		158	SM Premium Low Loss	2	Beige	D	Pull-Boot 3.0mm		
		251	MM Premium	5	Aqua				
				6	Heather Violet				

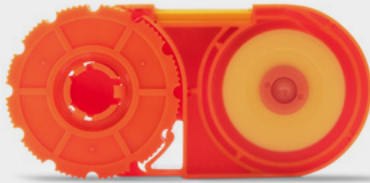
94Y - 151 - 1C1 ORDER CODE example

Accessories - Production/Cleaning

Smart Cleaner™

Cassette

PN: SCK-CC-100



Smart Cleaner™

Mini 1.25 mm Clicker

PN: SCK-SS-M-C125

Refill PN: SCK-SS-CS-R



Smart Cleaner™

1.25 mm Clicker

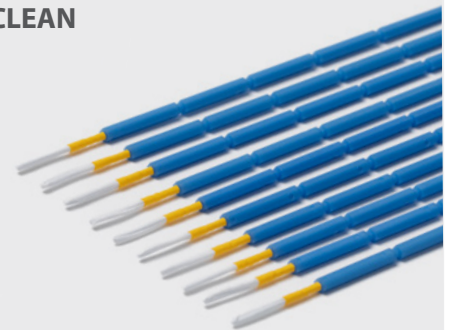
PN: SCK-SS-CS

Refill PN: SCK-SS-CS-R



1.25 mm NEOCLEAN Cleaning Stick

PN: CSK-01



Accessories - Interferometry

SUMIX Manta W+ Inspection Scope

PN: SMX-Manta-W+



- Inspects 12 fiber in 2.6 seconds, 24 fiber in 4.5 seconds
- 0.5µm defect detection
- Inspection tips for MPO, CS, SN, LC available

SUMIX Max QM+ Inspection Scope

PN: MAX-Quantum



- Inspects 12 fiber in 2.6 seconds, 24 fiber in 4.5 seconds
- 0.5µm defect detection

SENKO[®]

Advanced Components

sales@senko.com
1-858-623-3300

senko.com/contact