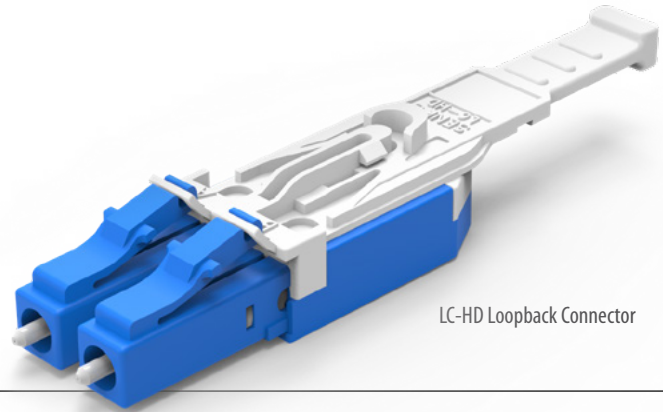


## LC-HD LOOPBACK CONNECTOR

### Series LPB-LCHD



The SENKO LC-HD Loopback connector is a critical device utilized in diagnosing fiber optic networks, essential for testing and ensuring network performance. Its function is to return the signal within fiber optic systems to check the transmission quality and the sensitivity of network devices' receivers. Notably advantageous for its compact, high-density construction, it is ideal for space-constrained situations and features an integrated Push-Pull Tab that simplifies the installation process.

The Senko LC-HD Loopback connector is indispensable for system test engineers, offering an efficient means to perform loopback evaluations on telecom equipment, which is vital for the upkeep of a stable and high-performance telecommunications framework.

#### FEATURES

- UPC or APC polish
- High density design
- Attenuation 0 to 20 dB
- Push-Pull tab

#### APPLICATIONS

- Telecommunications
- Data centers
- Local area networks (LANs)
- Enterprise networks
- FTTH
- Laboratory environments

#### KEY BENEFITS

- ✓ **Simplified testing and troubleshooting**
- ✓ **Easy installation and maintenance**
- ✓ **Simplified system verification**

**Mechanical Data**

	Value
Durability	200 matings
Housing Material	Plastic
Alignment Sleeve Material	Zirconia
Fiber Count	Duplex (2 channel)

**Optical Data**

	Singlemode				Multimode	
	UPC		APC		MM	
	Low Loss	Standard	Low Loss	Standard	Low Loss	Standard
Typical Return Loss (dB)	≥55		≥65		≥25	
Attenuation tolerance	OdB: 0/+0.5dB, 1-5dB:±/± 0.5dB, 6-20dB:±/±-10%					
Operational Wavelengths (nm)	1310/1550 ±/± 40				850/1300 ±/± 40	
Max Power Input (mw)	500					

**Environmental Data**

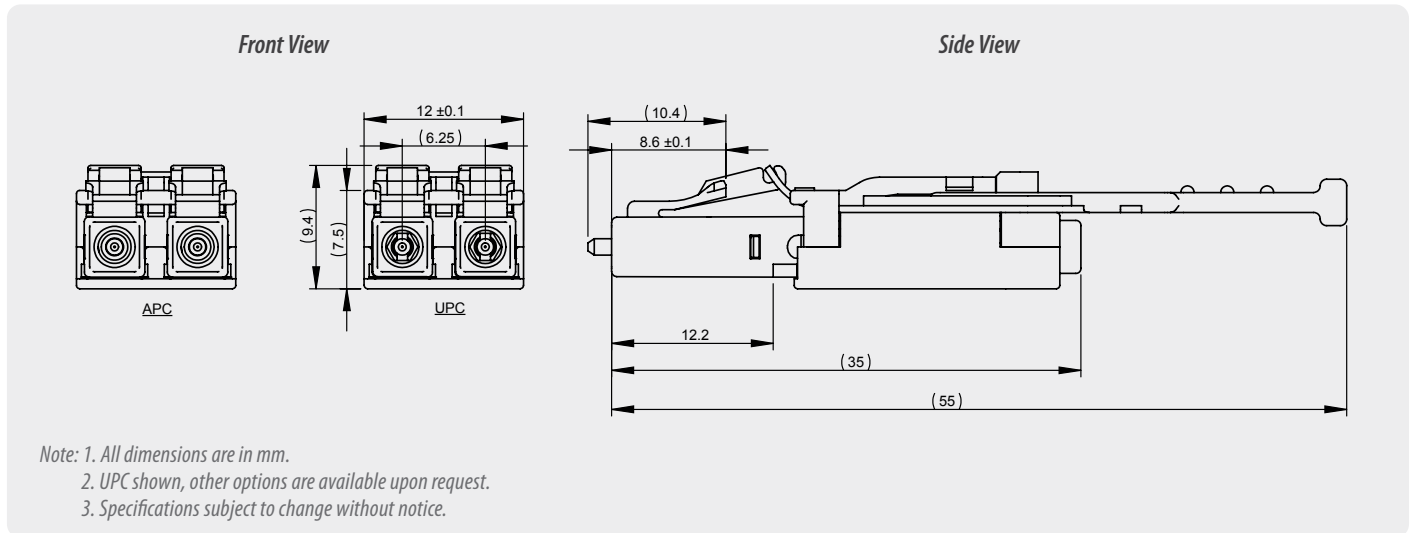
	Value
Operating Temperature	-40°C to +75°C
RoHS Compliance	Yes
REACH Compliance	Yes
Humidity Resistance	95%

# LC HD LOOPBACK CONNECTOR

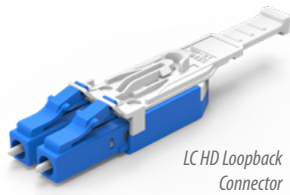
## Series LPB-LCHD

LC-HD LOOPBACK CONNECTOR DATASHEET

### Connector Drawing



### ORDERING



TYPE						ATTENUATION*	
LPB-LCHD	LC-HD Loopback	A	APC Green	A	Attenuator	00	0 dB +0.5 dB/-0 dB
		S	SM Blue			05	5 dB +/-0.5 dB
						10	10 dB +/-10%
						20	20 dB +/-10%

LPB - LCHD - SA05 ORDER CODE example

Note: Other values available upon request

## LC HD LOOPBACK CONNECTOR

Series LPB-LCHD

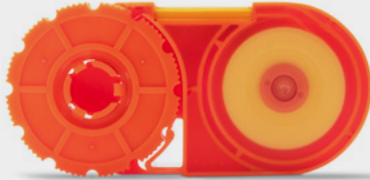
LC-HD LOOPBACK CONNECTOR DATASHEET

### Accessories - Production/Cleaning

#### Smart Cleaner™

Cassette

PN: SCK-CC-100



#### Smart Cleaner™

Mini 1.25 mm Clicker

PN: SCK-SS-M-C125

Refill PN: SCK-SS-CS-R



#### Smart Cleaner™

1.25 mm Clicker

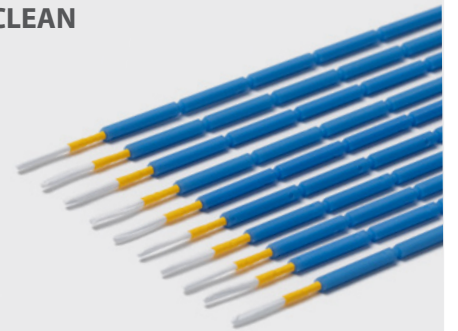
PN: SCK-SS-CS

Refill PN: SCK-SS-CS-R



#### 1.25 mm NEOCLEAN Cleaning Stick

PN: CSK-01



### Accessories - Interferometry

#### SUMIX Manta W+ Inspection Scope

PN: SMX-Manta-W+



- Inspects 12 fiber in 2.6 seconds, 24 fiber in 4.5 seconds
- 0.5µm defect detection
- Inspection tips for MPO, CS, SN, LC available

#### SUMIX Max QM+ Inspection Scope

PN: MAX-Quantum



- Inspects 12 fiber in 2.6 seconds, 24 fiber in 4.5 seconds
- 0.5µm defect detection

# SENKO<sup>®</sup>

Advanced Components

[sales@senko.com](mailto:sales@senko.com)  
1-858-623-3300

[senko.com/contact](https://senko.com/contact)