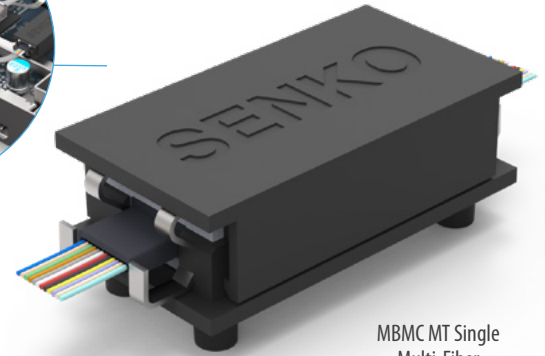
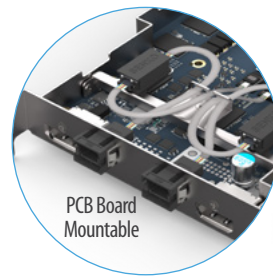


## **MBMC MT** **SINGLE CONNECTOR** Multi-fiber 1-Port MT-MT Connector



SENKO's MBMC MT SINGLE connector serves as a compact MT-MT interconnect system, ideal for On-Board interconnects inside opto-electronics equipment with high fiber counts in limited space. This Mid-Board Mountable Connector (MBMC) design can be securely fixed to PCB board without consuming excessive surface area. Additionally, it enables quick replacement of assemblies without the need for splicing. When maintenance or upgrades are necessary, technicians can replace assemblies effortlessly, minimizing downtime. Furthermore, the precise fiber alignment enhances signal integrity, effectively reducing budget loss across the system.

### FEATURES

- Low profile
- PCB mountable
- 12/24F options
- Compact design

### APPLICATIONS

- Data center
- On-board optics

### KEY BENEFITS

- ✓ **Small footprint**
- ✓ **Precise alignment for MT-MT ferrule**
- ✓ **Mounting method to PCB board**
- ✓ **12F and 24F**
- ✓ **Available with HighDura technology for durability**

**MBMC MT SINGLE CONNECTOR**

Multi-fiber, 1-port MT-MT connector

MBMC MT SINGLE MULTI-FIBER DATASHEET

**Mechanical Data**

	Value
Durability	50 matings per GR-1435-CORE
Fixing Method	M1 screw
Housing Material Type	Plastic

**Optical Data**

Parameters	Singlemode		Multimode	
	APC		MM	
	Low Loss	Standard	Low Loss	Standard
Typical Insertion Loss (dB)* 12-fiber	0.10	0.20	0.08	0.15
Max. Insertion Loss (dB)* 12-fiber	0.25	0.70	0.25	0.50
Typical Insertion Loss (dB)* 24-fiber	0.15	0.25	0.15	0.20
Max. Insertion Loss (dB)* 24-fiber	0.35	1.00	0.35	0.50
Typical Return Loss (dB)	≥60		≥25	

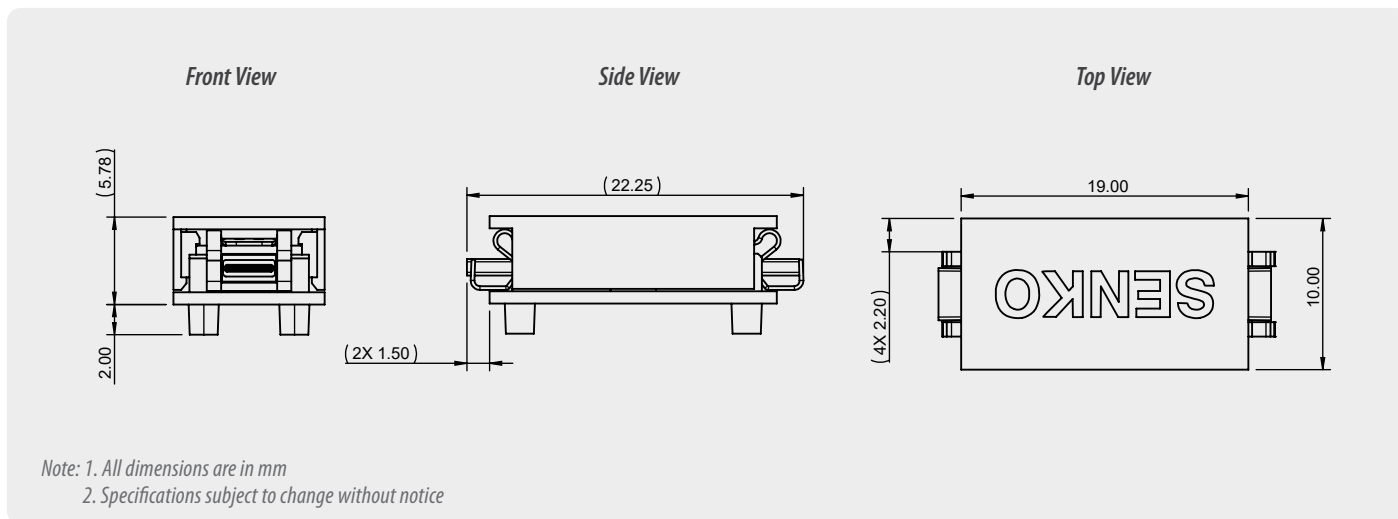
**Environmental Data**

	Value
Operating Temperature (C)	-40°C to +75°C
RoHS Compliance	2015/863 RoHS
REACH Compliance	Yes
Humidity Resistance	95%

# MBMC MT SINGLE CONNECTOR

## Multi-fiber, 1-port MT-MT connector

### Connector Drawing



### ORDERING



MBMC MT Single Connector

CODE	FERRULE OPTION	OPTION
MBMC-MT	SL12 SM Low Loss 12 Fiber	01
	SL24 SM Low Loss 24 Fiber	
	SS12 SM Standard 12 Fiber	
	SS24 SM Standard 24 Fiber	
	ML12 MM Low Loss 12 Fiber	
	ML24 MM Low Loss 24 Fiber	
	MS12 MM Standard 12 Fiber	
	MS24 MM Standard 24 Fiber	

MBMC-MT - SL12 - 01 ORDER CODE example

# SENKO<sup>®</sup>

Advanced Components

[sales@senko.com](mailto:sales@senko.com)  
1-858-623-3300

[senko.com/contact](https://senko.com/contact)