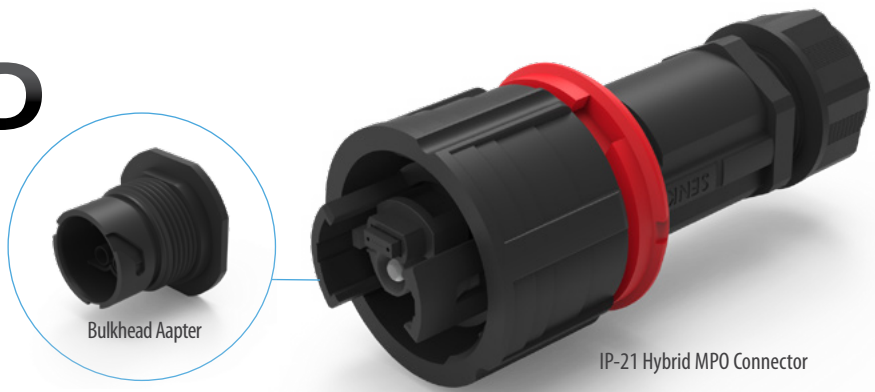


## **IP-21 HYBRID MPO SERIES** Connector Bulkhead Adapter



Introducing the IP-ONE (Optical'N'Electrical) series – your ultimate solution for seamless fiber and power connectivity. This groundbreaking innovation merges fiber optics and electrical power into a single, unified connector, streamlining your cabling process and delivering exceptional time and cost savings without compromising on reliability and performance.

Discover the SENKO IP-21 Hybrid MPO connector series, featuring a pair of 8-10 AWG conductors and MPO connector for unparalleled multi-fiber communication and electrical power delivery in one hybrid cable. Encased in durable plastic housing with an IP68 rating, the IP-21 Hybrid MPO connector is engineered to withstand even the harshest environmental conditions.

As hybrid cable solutions become increasingly essential for macro cell deployment, the IP-21 Hybrid MPO series emerges as the go-to choice for cost-effective and simplified cabling. Its user-friendly design ensures quick and effortless installation, significantly reducing time and labor costs. Experience enhanced productivity with the IP-21 Hybrid MPO series, the ideal connector for businesses seeking efficient and reliable fiber and power connectivity solutions.

### FEATURES

- IP68 rated hardened connector body
- MT-base connector (12/24-fiber)
- 2x 8-10 AWG conductors
- Bayonet lock with patented Safe Lock Ring
- UV resistance for outdoor applications
- 100 lbs superior pull force
- Easy and quick termination
- 8-13 mm OD cable compatible

### APPLICATIONS

- FTTA
- Macro cell
- Hybrid trunk cable

### KEY BENEFITS

- ✓ **High power hybrid (Fiber + Power)**
- ✓ **IP68 robust housing**
- ✓ **100 lbs pull force**

**IP-21 HYBRID MPO SERIES**

## Connector, bulkhead adapter

IP-21 HYBRID MPO SERIES

**Mechanical Data**

	Value
Proof	100 lbf or 450 N for 120 seconds
Durability	50 matings
Fiber Count	Multi-fiber (12/24 fiber)
Cable Suitability	8.0 - 13.0 mm round

**Optical Data**

	Singlemode		Multimode	
	APC		MM	
	Low Loss	Standard	Low Loss	Standard
Typical Insertion Loss (dB)* 12-fiber	0.10	0.20	0.08	0.15
Max. Insertion Loss (dB)* 12-fiber	0.25	0.70	0.25	0.50
Typical Return Loss (dB)* 24-fiber	0.15	0.25	0.15	0.20
Max. Insertion Loss (dB)* 24-fiber	0.35	1.00	0.35	0.50
Typical Return Loss (dB)*	≥60		≥25	

\* Based on master grade jumper to low loss random mating test

**Environmental Data**

	Value
IP Rating*	IP68
Operating Temperature (C)	-40°C to +75°C
UV Resistance	Yes
RoHS Compliance	2015/863 RoHS
REACH Compliance	Yes

\* The IP rating was validated using a SENKO sourced cable and termination procedure. It is recommended to retest IP rating for any other cable types.

**Electrical Data**

	Value
Maximum DC	600V / 55A <sup>1,2</sup>
Conductor Size	8-10 AWG x 2 (1 pair)

1 - Current rating at 25C ambient temperature. For higher temperature ratings, please follow Local and National Electrical Codes and Requirements.

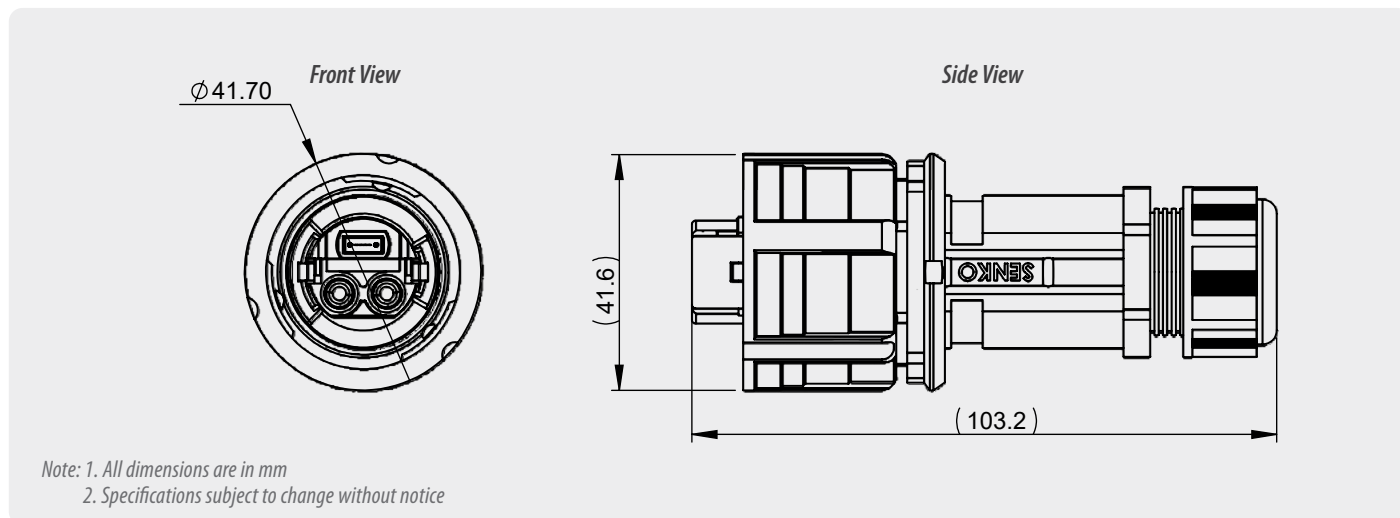
2 - IP-21 Hybrid Connector Series is designed to meet the latest Electrical and Safe requirements.

# IP-21 HYBRID MPO SERIES

## Connector

IP-21 HYBRID MPO SERIES

### Connector Drawing



### ORDERING



CODE	CONNECTOR TYPE	PERFORMANCE	FIBER COUNT	CABLE SIZE	COPPER CABLE GAUGE SIZE
IP21C1	MF	MPO Female	1	H 8 - 13 mm	02 10-8AWG
	MM	MPO Male	2		
			3		
			4		

IP21C1 - MF312 - H - 02 ORDER CODE example

CODE	PRODUCT TYPE	Generation
IP21	DC1 Connector Dust Cap	01 Gen1

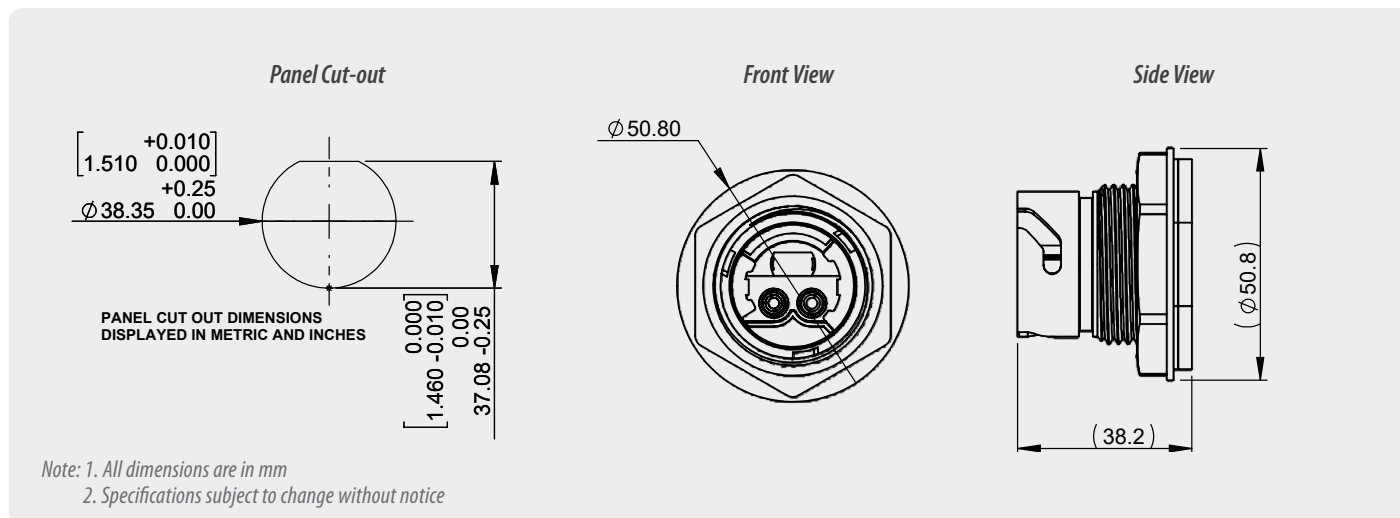
IP21DC1 - 01 ORDER CODE example

# IP-21 HYBRID MPO SERIES

## Bulkhead adapter

IP-21 HYBRID MPO SERIES

### Bulkhead Adapter Drawing



### ORDERING



CODE	ADAPTER TYPE	TYPE	PORT	LOCK RING	COPPER CABLE GAUGE SIZE
IP21	AB1 Bulkhead Adapter	MP MPO Adapter	1 1 Port	00 With Lock Ring Gasket	02 10-8AWG

IP21AB1 - MP100 - 02 ORDER CODE example

IP-21 Hybrid MPO Bulkhead Adapter

CODE	PRODUCT TYPE	Generation
IP21	DA2 Matting Adapter Dust Cap	01 Gen1

IP21DA2 - 01 ORDER CODE example

# SENKO<sup>®</sup>

Advanced Components

[sales@senko.com](mailto:sales@senko.com)  
1-858-623-3300

[senko.com/contact](https://senko.com/contact)