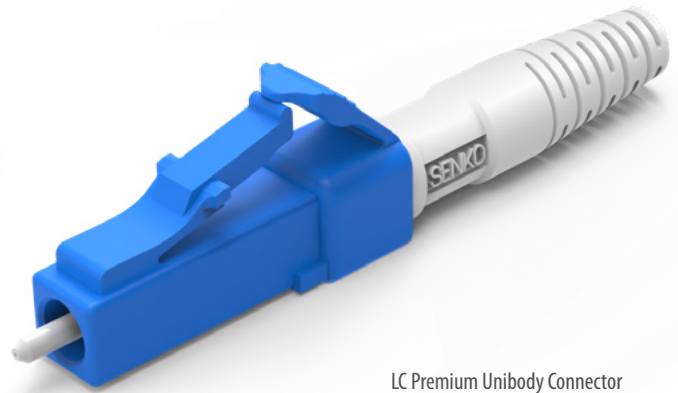


LC PREMIUM UNIBODY CONNECTOR

UPC/APC 931/932 Series



LC Premium Unibody Connector

The LC Premium Unibody connector series from SENKO not only meets but exceeds the stringent GR-326-CORE requirements, ensuring optimal performance and reliability. It is certified as Grade B under the IEC61753-1 standard for random mating, further attesting to its superior quality and durability.

The connector series offers versatility with boot options of 900 µm, 2 mm, and 3 mm, catering to a wide range of applications and system requirements. Moreover, the housing and boots of the connectors are UL-Rated, signifying adherence to safety standards and enhancing the product's trustworthiness.

These features collectively contribute to the robustness and reliability of the LC Premium Unibody connector series, making it a preferred choice for demanding telecommunication applications.

FEATURES

- "Unibody" design for increased mechanical strength and long term reliability and durability
- Designed to exceed GR-326-CORE standards
- Precision 1.25 mm ferrules for superior performance
- Compact design for high density applications
- Fully compliant to IEC 61754-20
- User-friendly design for straightforward installation and maintenance

APPLICATIONS

- Telecommunications
- Data centers
- Local area networks (LANs)
- Fiber to the home (FTTH)
- Enterprise networks
- Medical equipment
- Industrial applications
- Military and aerospace
- Broadcasting

KEY BENEFITS

- ✓ **High density connectivity**
- ✓ **Precision alignment**
- ✓ **High performance**
- ✓ **Multi use applications**

Mechanical Data

	Value
Durability	<0.2dB typical change, 500 Matings
Fiber Count	Simplex / duplex (1 or 2 Fiber)
Cable Suitability	900 μm to 3 mm
Ferrule Material	Zirconia

Optical Data

	Singlemode				Multimode
	UPC		APC		MM
	Low Loss	Standard	Low Loss	Standard	Standard
Typical Insertion Loss (dB)*	0.05	0.08	0.07	0.12	0.10
Max. Insertion Loss (dB)*	0.15	0.20	0.15	0.25	0.20
Typical Return Loss (dB)*	≥55		≥65		≥25
Ferrule Diameter (μm)	125				127

* Based on master grade jumper to low loss random mating test

Environmental Data

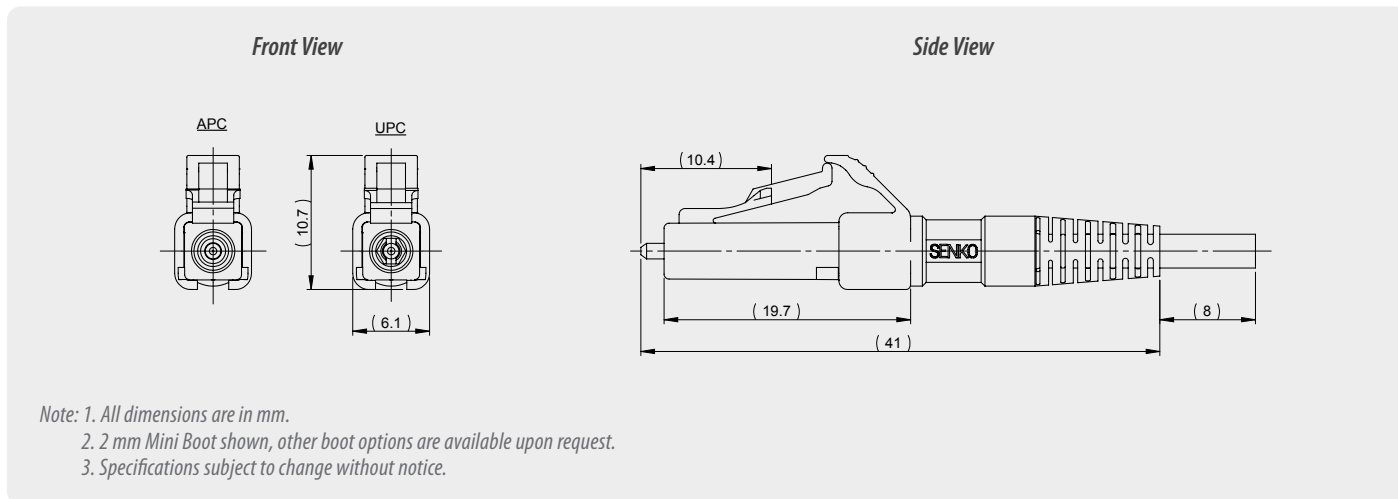
	Value
Operating Temperature	-40°C to +75°C
RoHS Compliance	Yes
REACH Compliance	Yes
Humidity Resistance	95%

LC PREMIUM UNIBODY CONNECTOR

UPC/APC, 931/932 Series

LC PREMIUM UNIBODY CONNECTOR

Connector Drawing



ORDERING



CONNECTOR	FERRULE TYPE	HOUSING	BOOT TYPE	BOOT COLOR
931 LC Unibody Simplex	153 SM: Premium 125 μm	1 SM: Blue	B MINI Boot 900 μm	1 White
932 LC Unibody Duplex	159 SM: Low Loss 125 μm	2 MM: Beige	C MINI Boot 2.0 mm	2 Blue
	251 MM: 127 μm	5 MM OM3: Aqua	D MINI Boot 3.0 mm	3 Black
		6 MM OM4: Heather Violet	1 BTW Boot	4 Yellow
			4 2.0 mm Round	5 Red
			5 2.0 mm Boot Short	
			6 3.0 mm Boot	
			7 Flex-Angle 2.0 mm	
			9 Flex-Angle 3.0 mm	

*Note: Other ferrule ID size are available
SM 126 μm SM 125.5 μm*

931 - 153 - 141 ORDER CODE example



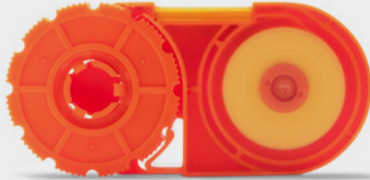
CONNECTOR	FERRULE TYPE	HOUSING	BOOT TYPE	BOOT COLOR
931 LC Unibody Simplex	153 SM: Premium 125 μm	3 APC: Green	B MINI Boot 900 μm	6 Green
932 LC Unibody Duplex	159 SM: Low Loss 125 μm		C MINI Boot 2.0 mm	
			D MINI Boot 3.0 mm	
			1 BTW Boot	
			4 2.0 mm Round	
			5 2.0 mm Boot Short	
			6 3.0 mm Boot	
			7 Flex-Angle 2.0 mm	
			9 Flex-Angle 3.0 mm	

*Note: Other ferrule ID size are available
SM 126 μm SM 125.5 μm*

931 - 153 - 316 ORDER CODE example

Accessories - Production/Cleaning

Smart Cleaner™
Cassette
PN: SCK-CC-100



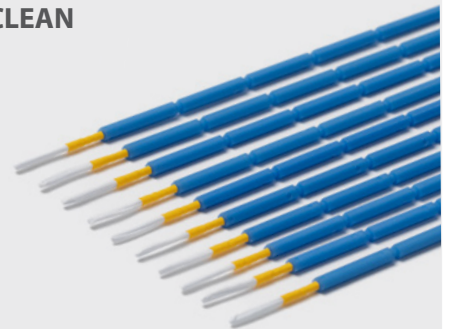
Smart Cleaner™
Mini 1.25 mm Clicker
PN: SCK-SS-M-C125
Refill PN: SCK-SS-CS-R



Smart Cleaner™
1.25 mm Clicker
PN: SCK-SS-CS
Refill PN: SCK-SS-CS-R



**1.25 mm NEOCLEAN
Cleaning Stick**
PN: CSK-01



Accessories - Interferometry

SUMIX Manta W+ Inspection Scope
PN: SMX-Manta-W+



- Inspects 12 fiber in 2.6 seconds, 24 fiber in 4.5 seconds
- 0.5µm defect detection
- Inspection tips for MPO, CS, SN, LC available

SUMIX Max QM+ Inspection Scope
PN: MAX-Quantum



- Inspects 12 fiber in 2.6 seconds, 24 fiber in 4.5 seconds
- 0.5µm defect detection

SENKO[®]

Advanced Components

sales@senko.com
1-858-623-3300

senko.com/contact