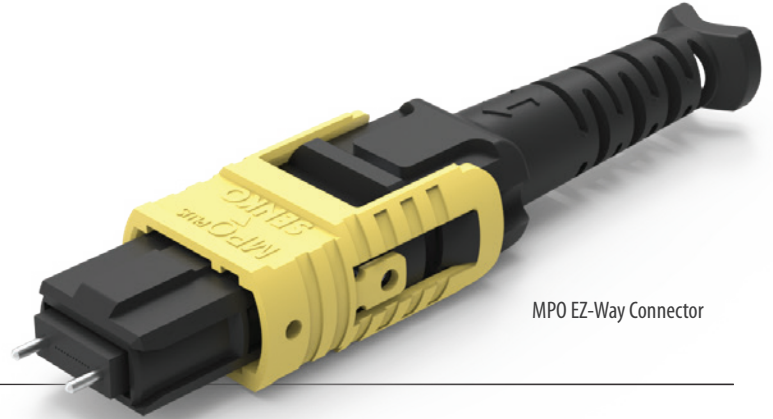


MPO EZ-WAY[®] **CONNECTOR** **752 and 753 Series**



MPO EZ-Way Connector

The MPO EZ-Way[®] Connector from SENKO is a versatile and high-performance solution designed for the most demanding data transmission environments. Fully compatible with all industry-standard MPO connectors, this connector ensures seamless integration with existing systems. Its innovative push-pull boot design allows for quick and effortless patching and removal, even in the densest environments. Optimized for 800G dual belly-to-belly type transceivers, the MPO EZ-Way[®] Connector supports high data rate applications with ease. It boasts industry-leading optical performance, achieving a maximum insertion loss of just 0.35 dB for Single Mode Premium Low Loss when used as a mated connection with other MPO EZ-Way[®] connectors or leading brand connectors. Available in 12f and 24f variants with a center key, and 16f and 32f variants with an offset key, this connector is ideal for both the Enterprise market and the rapidly evolving Hyperscale market.

FEATURES

- Push-pull boot
- Lowest insertion loss on the market
- High density and compact size
- 12/24 fiber center key
- 16/32 fiber offset key
- Multiple variants available for your application needs
- Free floating ferrule

APPLICATIONS

- Artificial intelligence (AI)
- Data center
- FTTx
- Cloud computing
- Broadcasting
- Medical imaging
- High performance computing (HPC)

KEY BENEFITS

- ✓ **QSFP DD Footprint**
- ✓ **Push pull boot for EZ insertion/extraction**
- ✓ **Lowest Insertion Loss on the Market**
- ✓ **Durability**
- ✓ **Precision metal guide pins**

Mechanical Data

	Value
Durability	500 matings per TIA-568.3
Fiber Count	Up to 32 fibers
Cable Suitability	3.0 mm round fiber

Optical Data

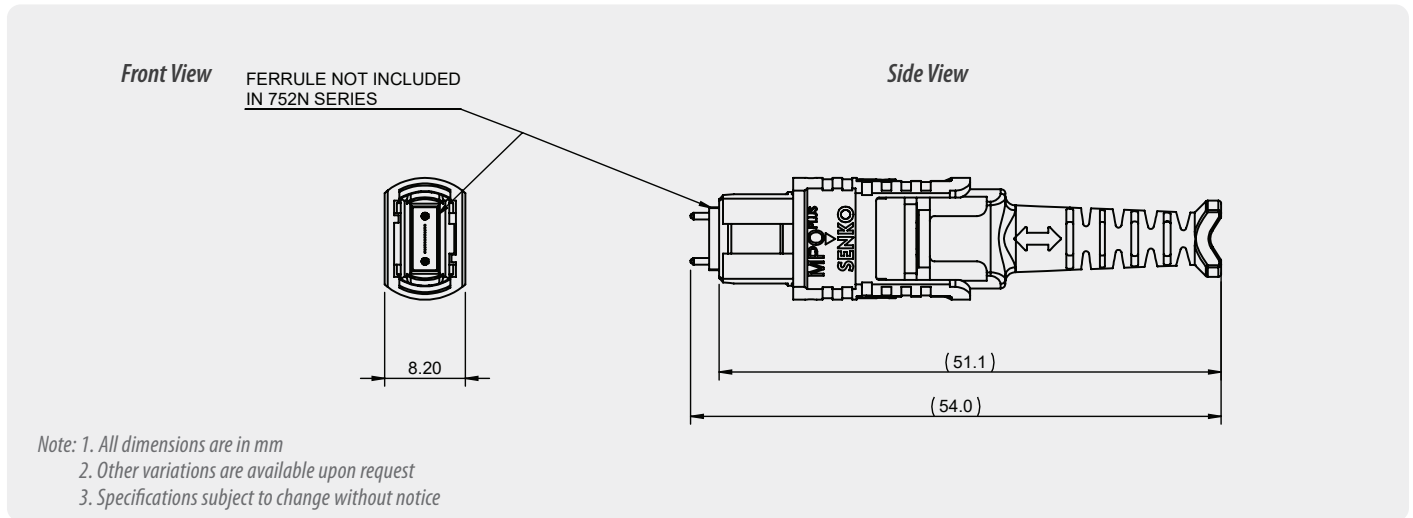
	Singlemode		Multimode	
	APC		MM	
	SM Premium Low Loss	SM Premium	SM Premium Low Loss	Premium
Typical Insertion Loss (dB)* 12-fiber	0.10	0.20	0.08	0.10
Max. Insertion Loss (dB)* 12-fiber	0.25	0.70	0.25	0.50
Typical Return Loss (dB)* 24-fiber	0.15	0.25	0.15	0.20
Max. Insertion Loss (dB)* 24-fiber	0.35	1.00	0.35	0.50
Typical Return Loss (dB)* 16-fiber	0.15	N/A	0.15	0.20
Max. Insertion Loss (dB)* 16-fiber	0.35	N/A	0.35	0.60
Typical Return Loss (dB)* 32-fiber	N/A	N/A	N/A	0.25
Max. Insertion Loss (dB)* 32-fiber	N/A	N/A	N/A	0.60
Typical Return Loss (dB)*	≥60		≥25	

* Based on master grade jumper to low loss random mating test

Environmental Data

	Value
Operating Temperature	-40°C to +75°C
RoHS Compliance	Yes
REACH Compliance	Yes

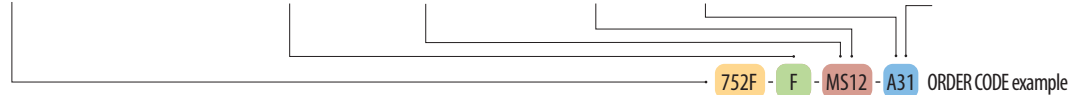
Connector Drawing - 752 Series



ORDERING

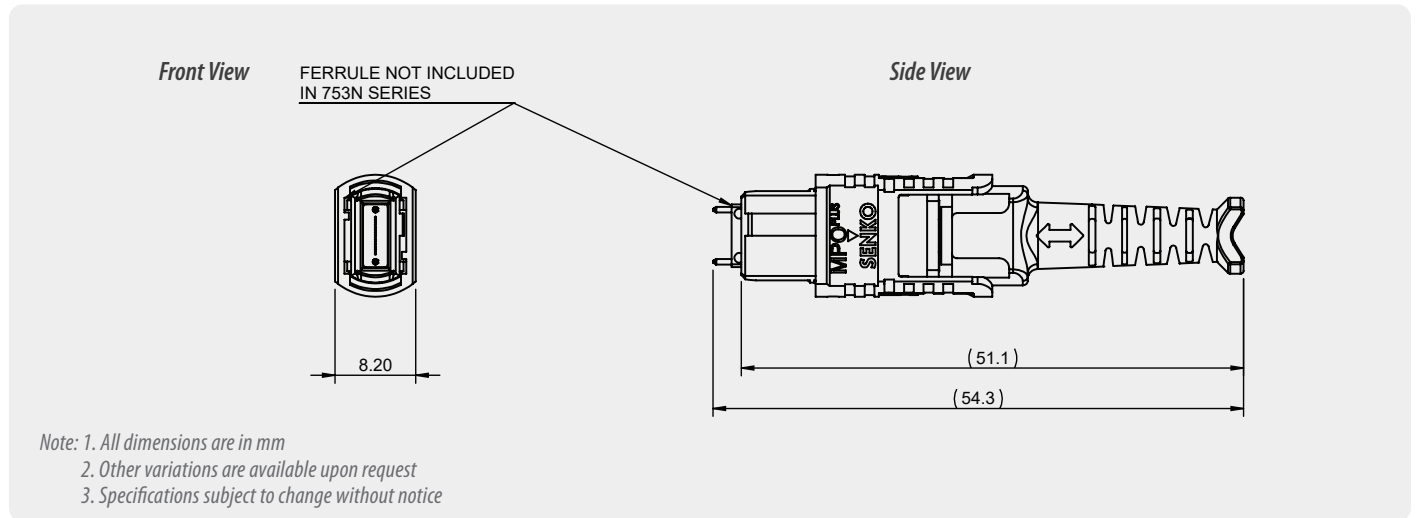


CONNECTOR		GENDER/PIN		FERRULE TYPE		FIBER COUNT		HOUSING COLOR		BOOT/CABLE	
752F	MPO EZ-Way Connector	F	Female	SS	SM Standard	04	04F	Y	SM Low Loss Yellow	31	3.0mm Boot
	12F/24F with MT Ferrule	M	Male	SL	SM Low Loss	08	08F	G	APC Green		
				MS	MM Standard	12	12F	V	MM OM4 Heather Violet		
				ML	MM Low Loss	24	24F	A	MM OM3 Aqua		
								T	MM Beige		
								B	MM Black		
								M	MM OM5 Lime Green		



Note: Custom configurations available upon request

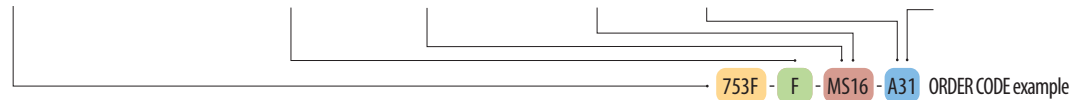
Connector Drawing - 753 Series



ORDERING



CONNECTOR	GENDER/PIN	FERRULE TYPE	FIBER COUNT	HOUSING COLOR	BOOT/CABLE
753F MPO EZ-Way Connector	F Female	SS SM Standard	16 16F	Y SM Low Loss Yellow	31 3.0mm Boot
16F/32F with MT Ferrule	M Male	SL SM Low Loss	32 32F	G APC Green	
		MS MM Standard		V MM OM4 Heather Violet	
		ML MM Low Loss		A MM OM3 Aqua	
		For Angle		T MM Beige	
		Polish Only		B MM Black	
				M MM OM5 Lime Green	



Note: Custom configurations available upon request

MPO EZ-WAY® CONNECTOR

Accessories

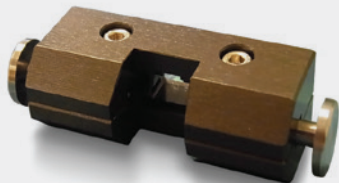
MPO EZ-WAY CONNECTOR DATA SHEET

Accessories

MPO-PLUS®

Removal Tool

PN: RMT-603



- Removes Outer housing for gender change and ferrule cleaning

MPO-PLUS®

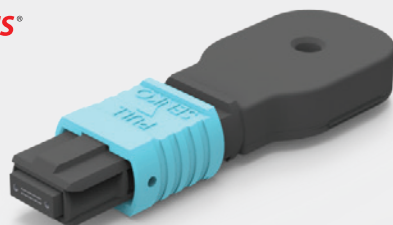
Ribbon Stripper

PN: RBN-601



MPO-PLUS®

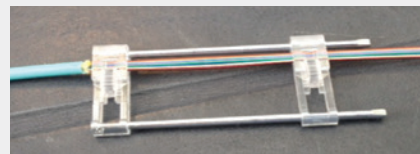
Loopback



MPO-PLUS®

Ribbonizer

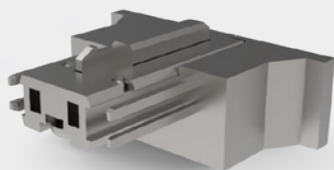
PN: RBN-601



MPO-PLUS®

Polarity Changeable Adapter Extraction Tool

PN: RMT-609



MPO-PLUS®

Quality Master Jumper



Accessories - Cleaning

Smart CleanerTM

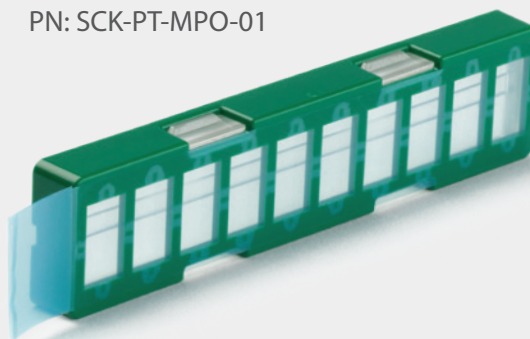
PN: SCK-SS-MPO (12/24F Center Key Connectors)
PN: SCK-SS-MPO-02 (16/32F Offset Key Connectors)



MPO-PLUS®

OPTRES Gel Cleaner

PN: SCK-PT-MPO-01



Accessories - Interferometry

SUMIX Manta W+ Inspection Scope

PN: SMX-Manta-W+



- Inspects 12 fiber in 2.6 seconds, 24 fiber in 4.5 seconds
- 0.5µm defect detection
- Inspection tips for MPO, CS, SN, LC available

SUMIX Max QM+ Inspection Scope

PN: MAX-Quantum



- Inspects 12 fiber in 2.6 seconds, 24 fiber in 4.5 seconds
- 0.5µm defect detection

SMX Manta W+ MPO Polarity and Continuity Module

PN: MPO Verifier



- Works for 8, 12, 24, 48 and 16, 32 fiber MPO
- Auto test and analysis

SMX Manta W+ Benchtop Holder

PN: MNT-W-Stand



SENKO[®]

Advanced Components

sales@senko.com
1-858-623-3300

senko.com/contact