

IP-16 HYBRID **MPO SERIES** Connector Bulkhead Adapter



The IP-ONE (Optical 'N' Electrical) series is designed to simplify the deployment of fiber and power connectivity by combining them into a single connector. This innovative solution offers a streamlined cabling process that saves time and money while ensuring reliability and performance.

The SENKO IP-16 Hybrid MPO connector series features a pair of 12-14 AWG conductors and one MPO-base connector, allowing for the transmission of both optical signal and electrical power in a single cable. The IP-16 MPO connector is housed in a robust plastic casing with an IP68 rating, ensuring its durability and resistance to harsh environmental conditions.

FEATURES

- IP68 rated hardened connector body
- MPO-base connector (12/24-fiber)
- 2x 12-14 AWG conductors
- Bayonet lock with patented Safe Lock Ring
- UV resistance for outdoor applications
- 100lbs superior pull force
- Easy and quick termination
- 4.5-11 mm OD cable compatible

APPLICATIONS

- Telecoms
- Broadcast
- Commercial
- Medical
- Maritime
- Military
- Oil and Gas
- Transport
- Renewable Energy

KEY BENEFITS

- ✓ Hybrid (fiber + power) in one body
- ✓ IP68 robust housing
- ✓ 100 lbs pull force

Mechanical Data

	Value
Proof	100 lbf or 450 N for 120 seconds
Durability	50 matings
Fiber Count	Multi-fiber (12/24 fiber)
Cable Suitability	4.5 - 11.0 mm round

Optical Data

	Singlemode		Multimode	
	APC		MM	
	Low Loss	Standard	Low Loss	Standard
Typical Insertion Loss (dB)* 12-fiber	0.10	0.20	0.08	0.15
Max. Insertion Loss (dB)* 12-fiber	0.25	0.70	0.25	0.50
Typical Return Loss (dB)* 24-fiber	0.15	0.25	0.15	0.20
Max. Insertion Loss (dB)* 24-fiber	0.35	1.00	0.35	0.50
Typical Return Loss (dB)*	≥60		≥25	

* Based on master grade jumper to low loss random mating test

Environmental Data

	Value
IP Rating*	IP68
Operating Temperature (C)	-40°C to +75°C
UV Resistance	Yes
RoHS Compliance	2015/863 RoHS
REACH Compliance	Yes

* The IP rating was validated using a SENKO sourced cable and termination procedure. It is recommended to retest IP rating for any other cable types.

Electrical Data

	Current Rating
Maximum DC	600V / 30A ^{1,2}
Conductor Size	12-14AWG x 2 (1 pair)

1 - Current rating at 25C ambient temperature. For higher temperature ratings, please follow Local and National Electrical Codes and requirements.

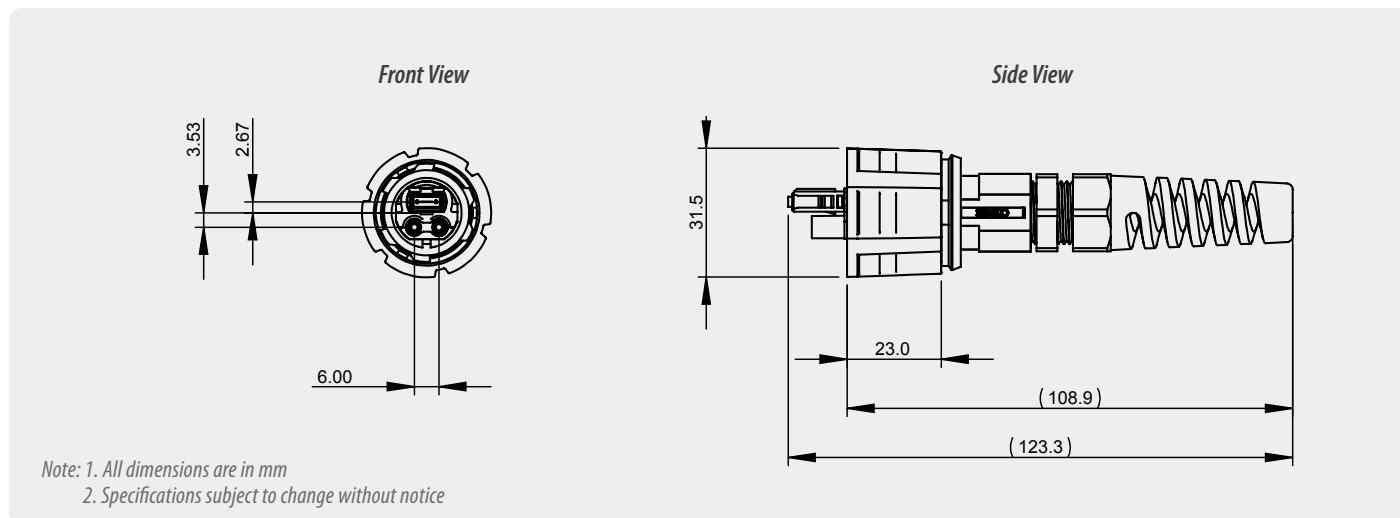
2 - IP-16 Hybrid Connector Series is designed to meet the latest Electrical and Safety requirements.

IP-16 HYBRID MPO SERIES

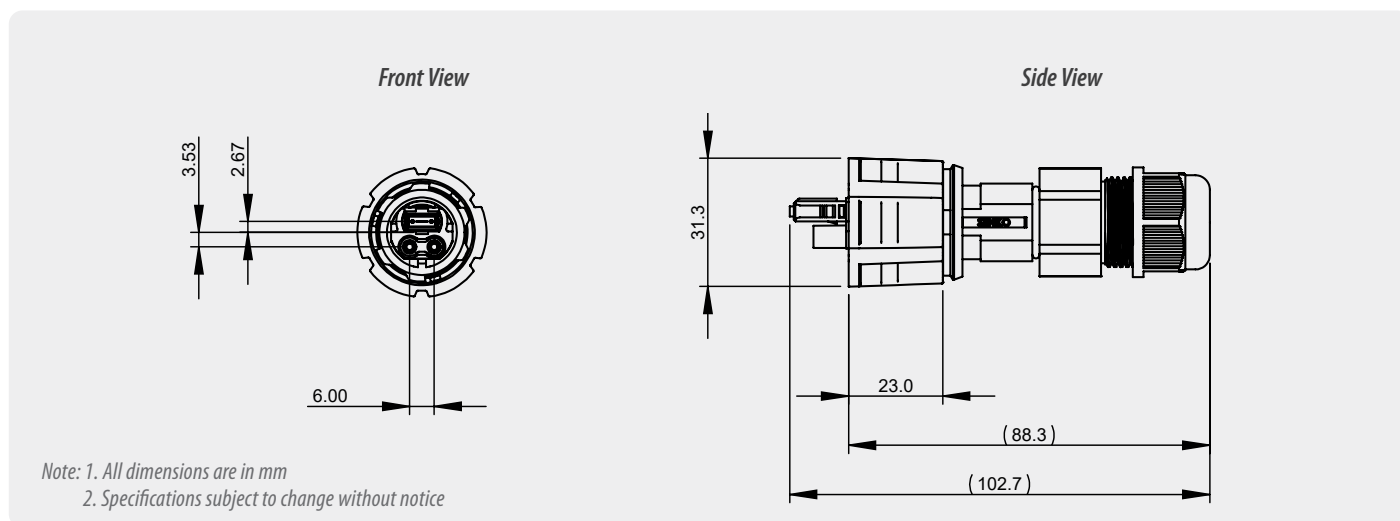
Connector

HARSH ENVIRONMENT SERIES DATA SHEET

Connector Drawing 4.5 - 7.2 mm Type



Connector Drawing 7.5 - 11 mm Type



ORDERING



CODE	CONNECTOR TYPE	POWER CONTACT	GENDER	N. OF FIBERS	CONNECTOR BODY	SAFE LOCK RING	DUST CAPS
IP1-MPO	LSL MM Low Loss	P Pin (Male)	F Female	1 12f	X 4.5 - 7.2mm	00 With	D With
	LMM MM Standard		M Male	2 24f	E 7.5 - 11 mm		None Without
	LSL SM Low Loss	S Socket (Female)					
	LSM SM Standard						

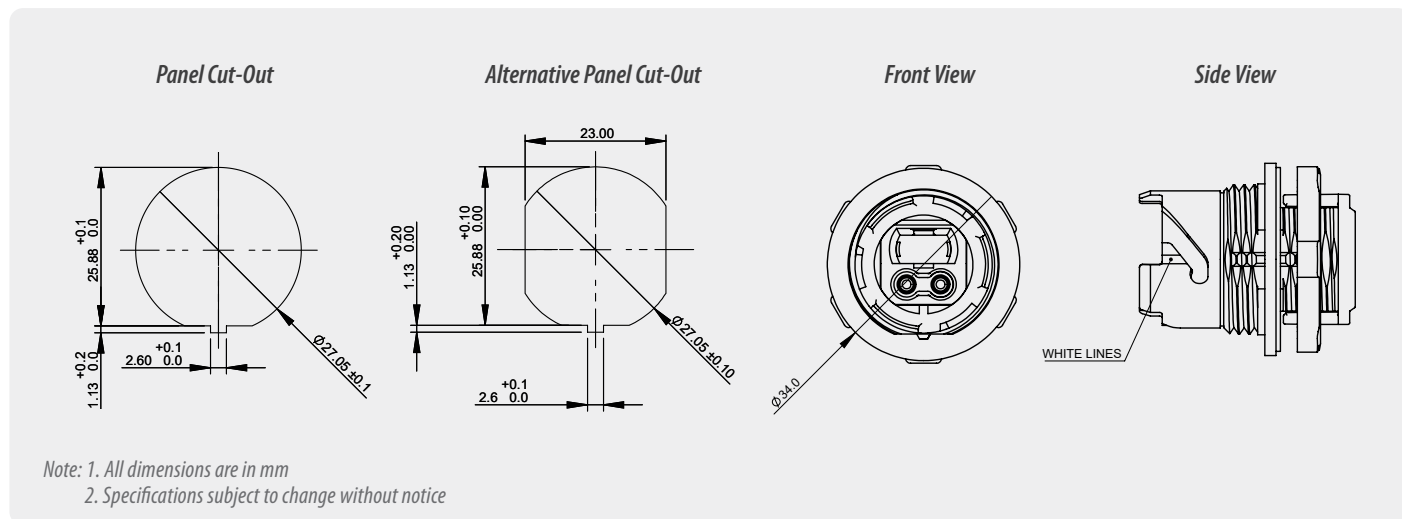
IP1-MPO - LSL - P - F1 - X - 00 - D ORDER CODE example

IP-16 HYBRID MPO SERIES

Bulkhead adapter

HARSH ENVIRONMENT SERIES DATA SHEET

Bulkhead Adapter Drawing



ORDERING



IP-16 Hybrid MPO Bulkhead Adapter

CODE	POWER CONTACT	DUST CAPS	
IP1-MPO	AP Pin (Male)	D	With
	AS Socket (Female)	None	Without

IP1-MPO - AP - D ORDER CODE example

SENKO[®]

Advanced Components

sales@senko.com
1-858-623-3300

senko.com/contact