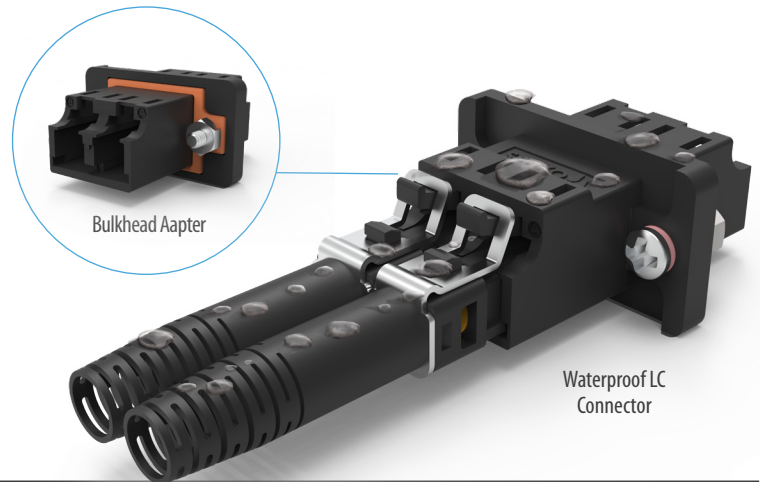


## Waterproof LC SERIES Connector Adapter



The Waterproof LC Series boasts IP68 rated protection while it keeps the same small form factor interface as standard LC interconnects. You can handle this connector as easy as standard LC connectors. Specially designed gaskets that are assembled with its connector and adapter body make sure the fiber connections is protected from particles and liquids.

### FEATURES

- IP68 rated waterproof connector
- UV resistance for outdoor applications
- Intermateable with IEC LC interface
- Compatible with 2 - 3 mm round cable
- Metal latch holder for superior strength
- FTTH applications

### APPLICATIONS

- Outdoor wireless network
- FTTH/FTTA installation
- Industrial automation

### KEY BENEFITS

- ✓ **Ingress protected connectivity**
- ✓ **Easy handling as regular LC**

## Mechanical Data

|                   | Value               |
|-------------------|---------------------|
| Proof             | GR-326-CORE 4.4.3.4 |
| TWAL              | GR-326-CORE 4.4.3.5 |
| Fiber Count       | Simplex (1-fiber)   |
| Cable Suitability | 2.0 - 3.0 mm Round  |

## Optical Data

|                              | Singlemode |          |          |          | Multimode |
|------------------------------|------------|----------|----------|----------|-----------|
|                              | UPC        |          | APC      |          | MM        |
|                              | Low Loss   | Standard | Low Loss | Standard | Standard  |
| Typical Insertion Loss (dB)* | 0.05       | 0.08     | 0.07     | 0.12     | 0.10      |
| Max. Insertion Loss (dB)*    | 0.15       | 0.20     | 0.15     | 0.25     | 0.20      |
| Typical Return Loss (dB)*    | ≥55        |          | ≥65      |          | ≥25       |

\* Based on master grade jumper to low loss random mating test

## Environmental Data

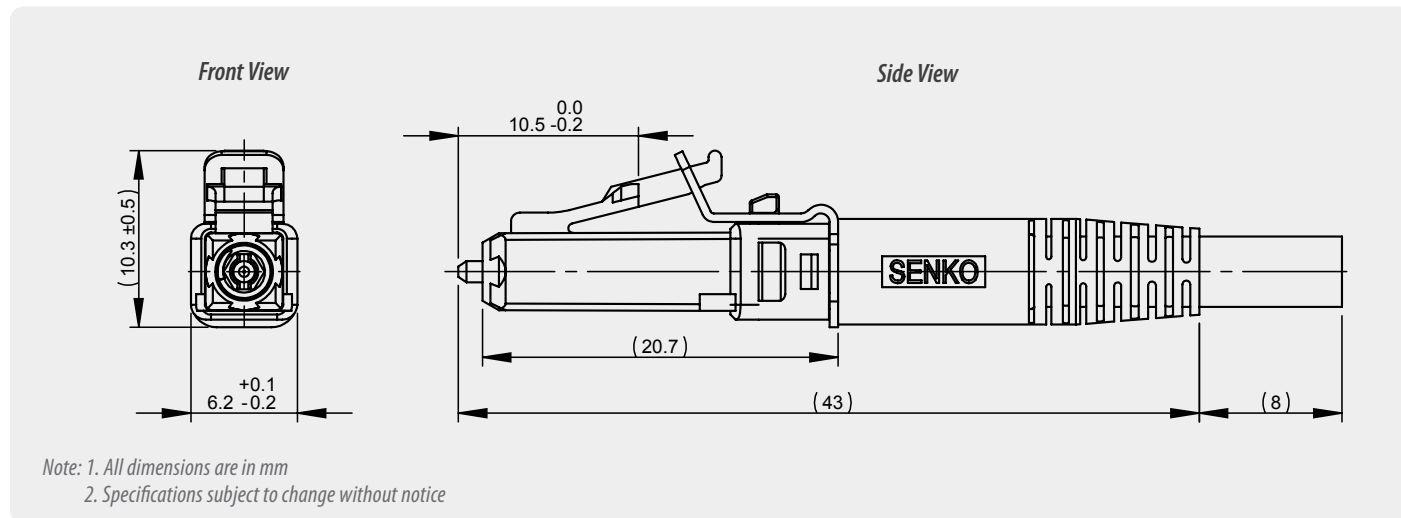
|                           | Value          |
|---------------------------|----------------|
| IP Rating*                | IP68           |
| Operating Temperature (C) | -40°C to +75°C |
| UV Resistance             | Yes            |
| RoHS Compliance           | 2015/863 RoHS  |
| REACH Compliance          | Yes            |

\* The IP rating was validated using a SENKO sourced cable and termination procedure. It is recommended to retest IP rating for any other cable types.

# Waterproof LC Connector

HARSH ENVIRONMENT SERIES DATA SHEET

## Connector Drawing



## ORDERING



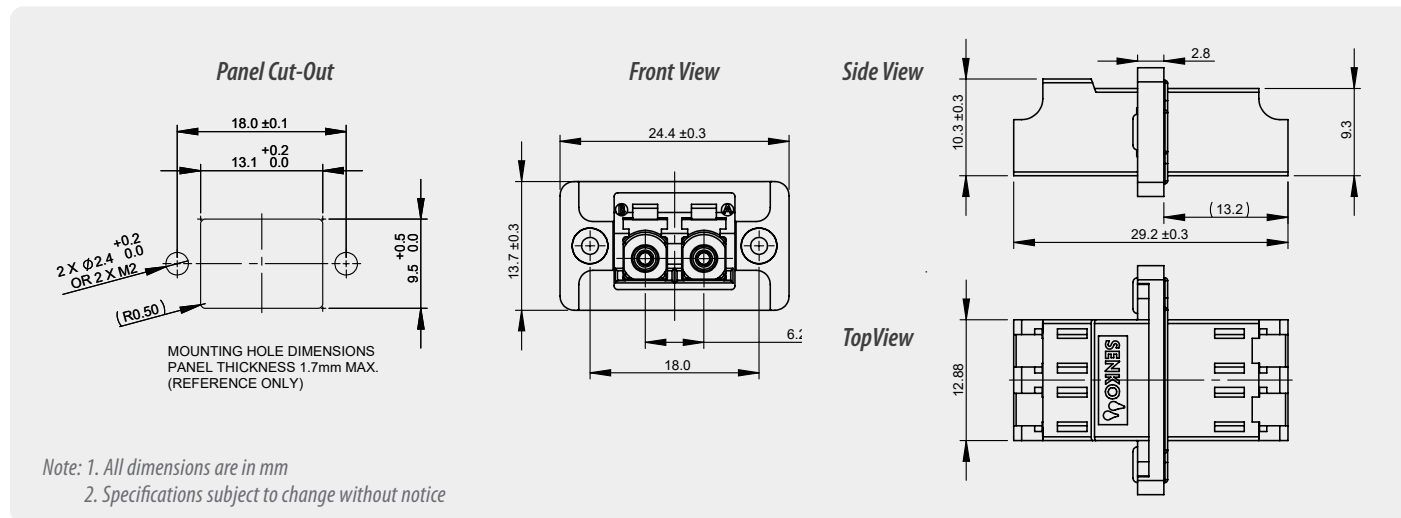
| CONNECTOR TYPE    | PERFORMANCE     | BACK LATCH | BOOT           | BOOT COLOR |
|-------------------|-----------------|------------|----------------|------------|
| 9H1 Waterproof LC | 151 SM 125.5 μm | 1 SM       | C 2.0 mm Cable | 3 Black    |
|                   | 251 MM 127 μm   | 2 MM       | D 3.0 mm Cable |            |
|                   |                 | 3 SM APC   |                |            |

9H1 - 151 - 1C3 ORDER CODE example

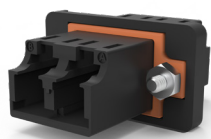
# Waterproof LC Adapter

HARSH ENVIRONMENT SERIES DATA SHEET

## Adapter Drawing



## ORDERING



Waterproof LC Adapter

| ADAPTER TYPE      | TYPE                  | COLOR   | SLEEVE TYPE               |
|-------------------|-----------------------|---------|---------------------------|
| 98W Waterproof LC | 3S Duplex with Flange | 2 Black | 1 Zirconia Straight Split |

98W - 3S21 ORDER CODE example

# SENKO<sup>®</sup>

Advanced Components

[sales@senko.com](mailto:sales@senko.com)  
1-858-623-3300

[senko.com/contact](https://senko.com/contact)