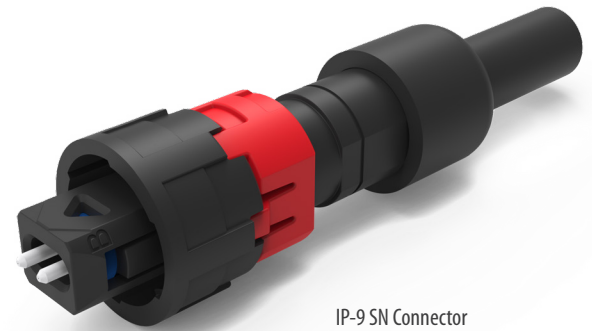




IP-9 SN SERIES Connector Bulkhead and Inline Adapter



IP-9 SN Connector

The compact SENKO IP-9 connector series boasts a sturdy design within a small 20 mm OD housing. Using a patented “Safe Lock Ring” technology and bayonet mating mechanism, this connector offers a secure and visually-assured connection. Its IP68 rated housing makes it ideal for harsh environmental applications, including FTTA and FT Tx deployments. When integrated into pre-terminated solutions, the IP-9 connector guarantees maximum performance and repeatability across the network.

Combining IP-9 connectors with bulkhead adapters allows for quick “plug & play” deployment of pre-terminated closures and drop cables in the field.

Additionally, the IP-9 SN Connector offers Duplex SN[®] connectivity, the next generation VSFF (Very Small Form Factor) with Senko’s premium standard ceramic ferrule. Having duplex fibers in one connector housing makes most of the Base-2 outdoor assemblies more space-efficient.

FEATURES

- IP68 rated hardened connector
- Small Footprint for space saving
- Lightweight, yet rugged plastic body
- Bayonet lock with patented Safe Lock Ring
- UV resistance for outdoor applications
- 100lbs superior pull force
- Easy and quick termination
- Compatible with 3.0-5.5mm OD cable

APPLICATIONS

- FT Tx, FT TH, FT TA
- Broadcast
- Military
- Industrial
- Transport
- Renewable energy

KEY BENEFITS

- ✓ **Small footprint duplex fiber connector**
- ✓ **IP68 robust housing**
- ✓ **100lbs pull force**

Mechanical Data

	Value
Flex	0°/+90°/-90° for 8 cycles
Proof	100 lbf or 450 N for 120 seconds
TWAL	0°/90° for 30 minutes
Durability	50 matings
Impact	5-foot drop
Fiber Count	Duplex (2 fibers)
Cable Suitability	3.0 - 5.5 mm round

Optical Data

	Singlemode				Multimode
	UPC		APC		MM
	Low Loss	Standard	Low Loss	Standard	Standard
Typical Insertion Loss (dB)*	0.05	0.08	0.07	0.12	0.10
Max. Insertion Loss (dB)*	0.15	0.20	0.15	0.25	0.20
Typical Return Loss (dB)*	≥55		≥65		≥25

* Based on master grade jumper to low loss random mating test

Environmental Data

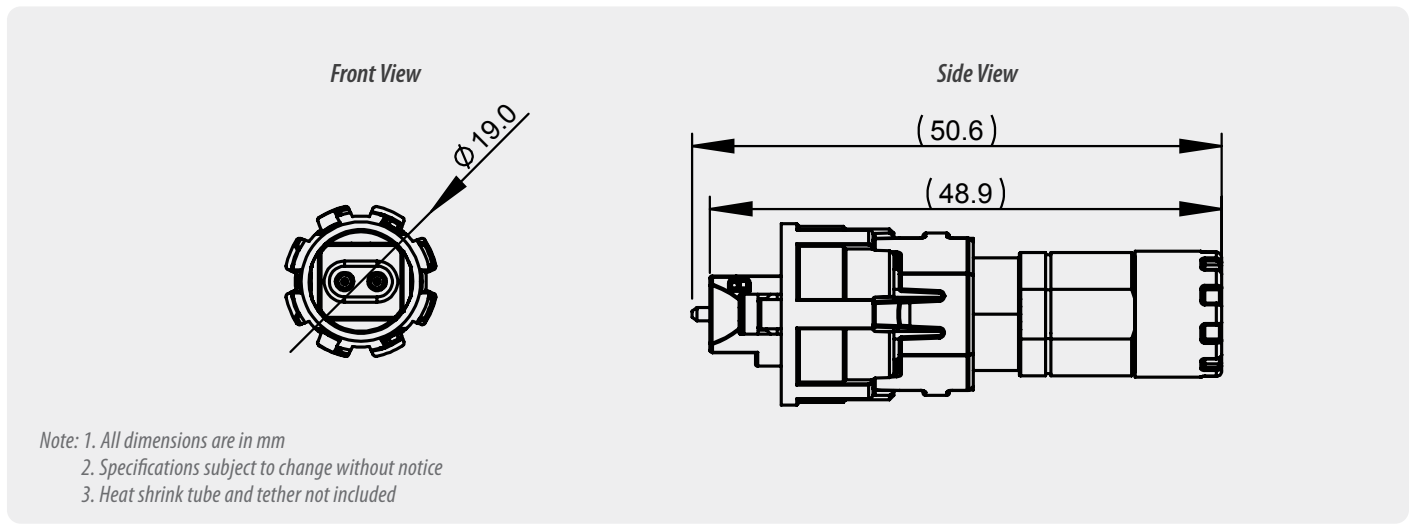
	Value
IP Rating*	IP68
Operating Temperature (C)	-40°C to +75°C
UV Resistance	Yes
RoHS Compliance	2015/863 RoHS
REACH Compliance	Yes

* The IP rating was validated using a SENKO sourced cable and termination procedure. It is recommended to retest IP rating for any other cable types.

IP-9 SN SERIES Connector

HARSH ENVIRONMENT SERIES DATA SHEET

Connector Drawing



ORDERING



CODE	CONNECTOR TYPE	PERFORMANCE	FIBER COUNT	CABLE SIZE	IP DUST CAP		
IP09C4	SN	SN Connector	02	2 Fiber	3.0 3.0-3.2 mm	D With Dust Cap	
		1 SM UPC					4.5 4.3-4.6 mm
		5 SM APC Cone Not Angled					4.8 4.7-4.9 mm
							5.5 5.0-5.5 mm

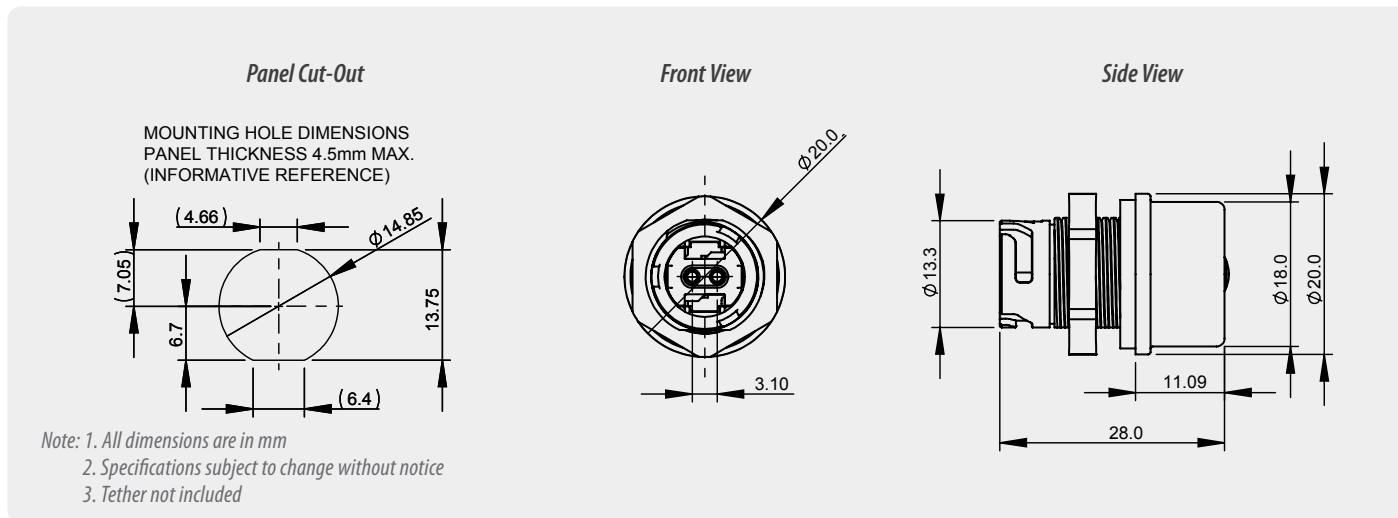
IP09C4 - SN601 - 3.0 - D ORDER CODE example

IP-9 SN SERIES

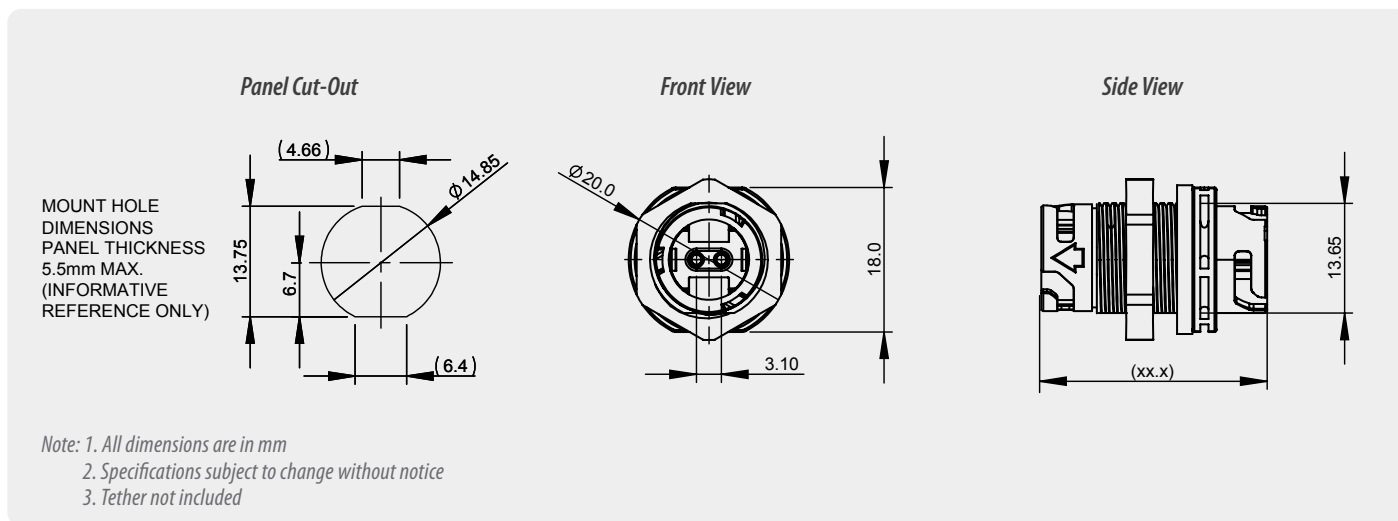
Bulkhead and inline adapter

HARSH ENVIRONMENT SERIES DATA SHEET

Bulkhead Adapter Drawing



Inline Adapter Drawing



ORDERING



IP-9 SN Bulkhead Adapter

CODE	ADAPTER TYPE	TYPE	PORT	LOCK RING	IP DUST CAP
IP09	AB1 Bulkhead Adapter	SN SN Adapter	1 1 Port	00 With Lock Ring and Gasket	D With Dust Cap



IP-9 SN Inline Adapter

CODE	ADAPTER TYPE	TYPE	PORT	LOCK RING	IP DUST CAP
IP09	AL1 Inline Adapter	SN SN Adapter	1 1 Port	00 With Lock Ring and Gasket	D With Dust Cap
				NN Without Lock Ring and Gasket	DD With Two Dust Caps

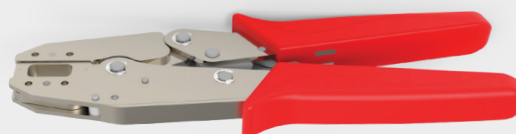
IP09AL1 - SN1NN - D ORDER CODE example

Accessories - Production/Cleaning**ONE-CLICK DUPLEX SN**

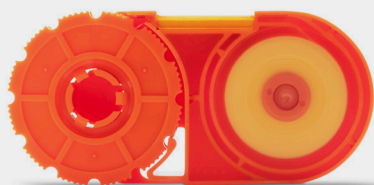
PN: SCK-DC-SN

**IP-9 Crimping Fixture**

PN: CRT-IP9-01

**Smart CleanerTM
Cassette**

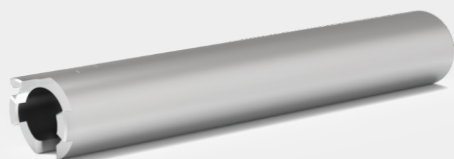
PN: SCK-CC-100

**IP-9 Crimp Tool**

PN: AST-IP9-02

**Accessories - Installation****IP-9 Installation Tool**

PN: IP09-INS-01

**IP-9 Port Blocker**

PN: IP09PB1-01



SENKO[®]

Advanced Components

sales@senko.com
1-858-623-3300

senko.com/contact