

1

2

3

4

5

6

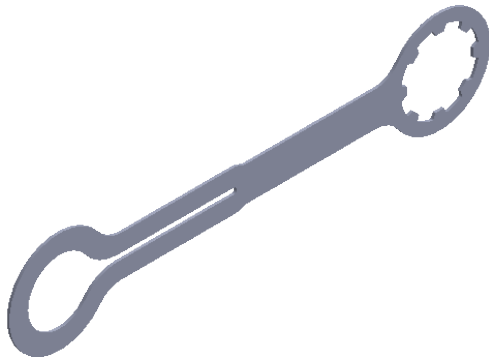
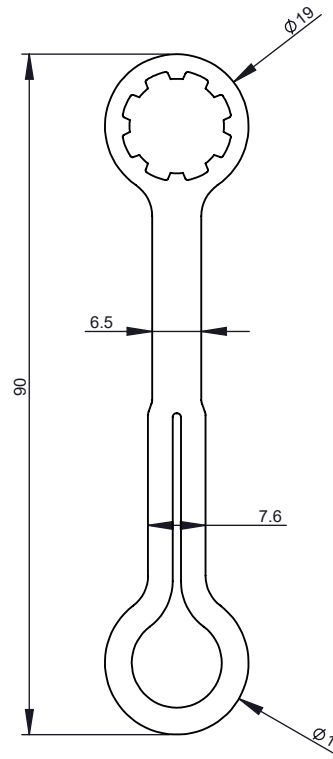
7

8

NOTES:
 1. ALL MATERIALS TO BE COMPLIANT TO RoHS, REACH SVHC AND UL 94 V-0

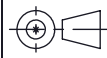
REVISIONS				
ZONE	REV.	DESCRIPTION	DATE	APPROVED
	1	PRELIMINARY	7/27/2020	


CODE				TYPE 1	COLOR	
IP09	IP SIZE 9	-	DCL	DUST CAP CONNECTOR LANYARD	B	BLACK
					Y	YELLOW
					R	RED
					G	GREEN
					L	BLUE
P	PURPLE					



Category
P

UNLESS OTHERWISE SPECIFIED:
 DEBURRS ALL SHARP EDGES.
 DIMENSIONS ARE AFTER FINISH.
 All Dimensions are in mm
 TOLERANCES: X. =±
 X =±0.2
 .XX =±0.10
 .XXX =±
 < =±2°



Drawn By: ENG. DEPT.	Checked By: ENG. DEPT.	Material: NYLON	Scale: Free
 SENKO Advanced Components		Part Number: IP09-DCL-X Description: IP9 DUST CAP CONNECTOR TETHER	
DWG# P-ENM20-129		Rev. 1	Sheet 1

1

2

3

4

5

6

7

8