

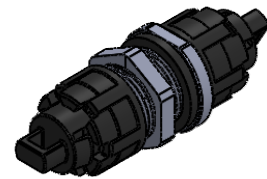
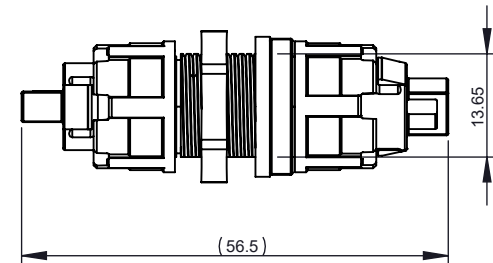
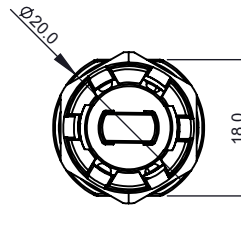
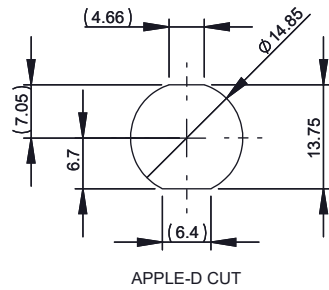
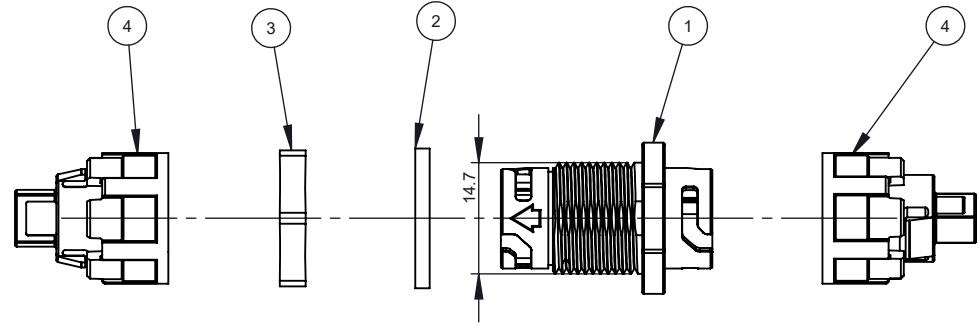
1 2 3 4 5 6 7 8

- NOTES:
 1. ALL MATERIALS TO BE COMPLIANT TO RoHS, REACH SVHC AND UL 94 V-0
 2. MOUNTING TORQUE TO BE WITHIN 2.5N*m.

REVISIONS				
ZONE	REV.	DESCRIPTION	DATE	APPROVED
	1	PRELIMINARY	7/20/2020	

IP ADAPTER CODE	NUT		OPTIONAL	
IP09A11-MP1	00	STANDARD NUT	-	D
	P0	PREMIUM NUT	-	B02

NUT (ITEM #2) OPTION	
PN	TYPE
IP09-AMN-02	STANDARD
IP09-AMN-03	PREMIUM



DUST CAP ARE OPTIONAL



Category

P

UNLESS OTHERWISE SPECIFIED:
 DEBURRS ALL SHARP EDGES.
 DIMENSIONS ARE AFTER FINISH.

All Dimensions are in mm

TOLERANCES: X. = ±
 X = ±0.2
 .XX = ±0.10
 .XXX = ±
 < = ±2°



ITEM NO.	PART NUMBER	PART DESCRIPTION	MATERIAL	QTY.
1	IP09-HAI-MP01	IP9 IN-LINE MPO APAD HOUSING	TP	1
2	IP-ORNG-F-14.7-1.9	IP9 SQUARE RING, ADAPTER HOUSING	RB	1
3	IP09-AMN-0X	IP9 ADAPTER NUT	MTL	1
4	IP09DA1-01	IP9 ADAPTER DUST CAP ASSEMBLY	SEE BOM	2

Drawn By: ENG. DEPT. Checked By: ENG. DEPT. Material: SEE BOM Scale: Free



SENKO
 Advanced Components

Part Number: IP09A11-MP1X0-D-B02
 Description: IP9 MPO INLINE ADAPTER

DWG# P-ENH20-477

Rev. 1

Sheet 1

1 2 3 4 5 6 7 8

A

B

C

D

E

F

A

B

C

D

E

F