

1 2 3 4 5 6 7 8

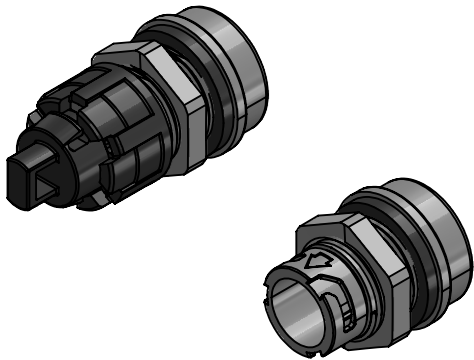
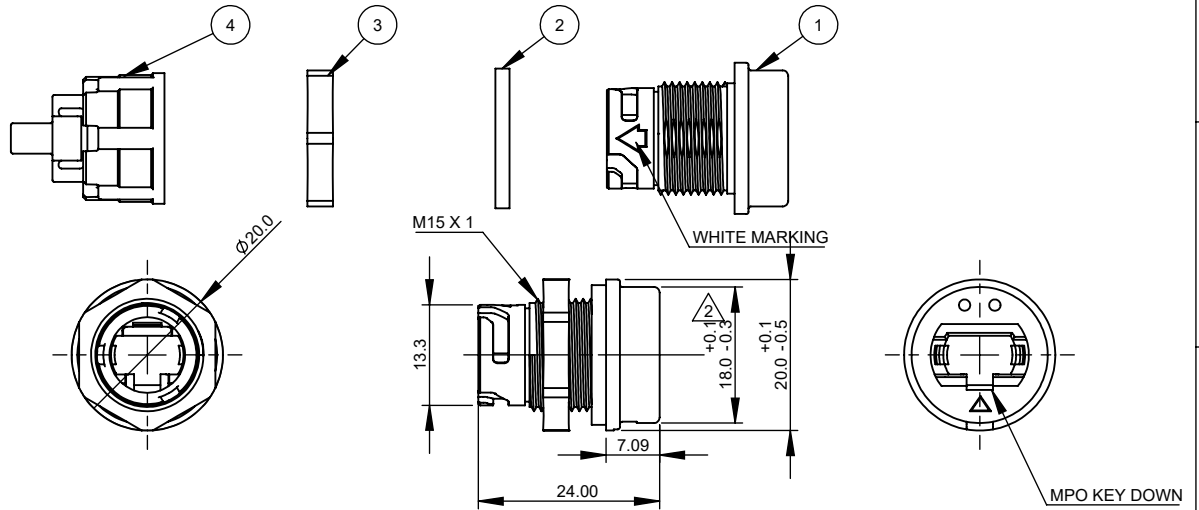
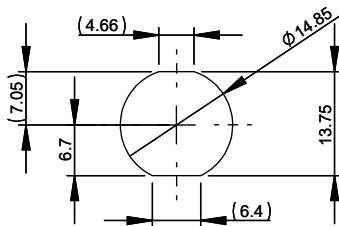
- NOTES:
 1. ALL MATERIALS ARE COMPLIANT TO RoHS, REACH SVHC
 2. DUST CAP OPTIONAL
 3. MOUNTING TORQUE TO BE WITHIN 2.5N*m

REVISIONS				
ZONE	REV.	DESCRIPTION	DATE	APPROVED
	1	PRELIMINARY	7/17/2020	KEITH CHUNG
7C	2	INITIAL RELEASE (3/5/2021 REISSUED WITH DIMENSION UPDATED)	2/26/2021	KEITH CHUNG

IP ADAPTER CODE	NUT		OPTIONAL	
IP09AB1-MP1	00	STANDARD NUT	D	WITH IP DUST CAP
	P0	PREMIUM NUT		

NUT (ITEM #3) OPTION	
PN	TYPE
IP09-AMN-02	STANDARD
IP09-AMN-03	PREMIUM

MOUNTING HOLE DIMENSIONS
 PANEL THICKNESS 5.5mm MAX.
 (INFORMATIVE REFERENCE)



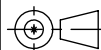
Category

P

UNLESS OTHERWISE SPECIFIED:
 DEBURRS ALL SHARP EDGES.
 DIMENSIONS ARE AFTER FINISH.

All Dimensions are in mm

TOLERANCES: X = ±
 X = ±0.2
 XX = ±0.10
 .XXX = ±
 < = ±3°



ITEM NO.	PART NUMBER	DESCRIPTION	QTY.
1	IP09-HAB-MP02	IP9 ADAPTER HOUSING, MPO BULKHEAD, TP, BLACK	1
2	IP-ORNG-F-14.7-1.9	IP9 SQUARE RING, ADAPTER HOUSING, RB	1
3	IP09-AMN-0X	IP9 ADAPTER NUT, SEE NUT TABLE	1
4	IP09DA1-01	IP9 ADAPTER DUST CAP ASSEMBLY	1

Drawn By: ENG. DEPT. Checked By: KEITH CHUNG Material: SEE BOM Scale: Free



Part Number: IP09AB1-MP1X0-D-B02
 Description: IP9 MPO BULKHEAD ADAPTER

DWG# P-ENH20-475 Rev. 2 Sheet 1

1 2 3 4 5 6 7 8