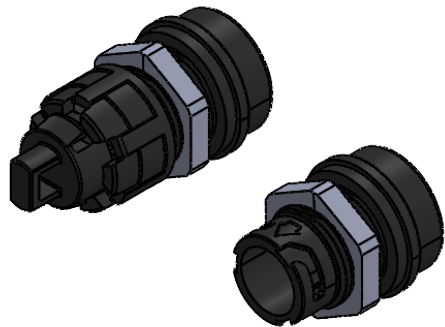
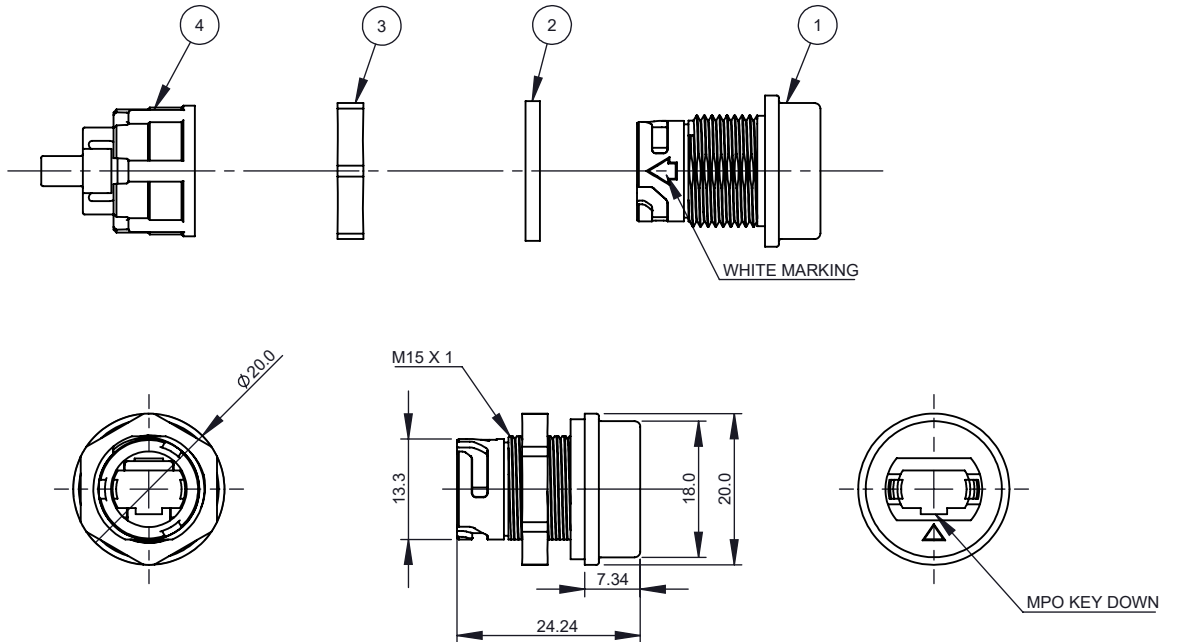


- NOTES:
1. ALL MATERIALS TO BE COMPLIANT TO RoHS, REACH SVHC AND UL 94 V-0
  2. DUST CAP OPTIONAL
  3. MOUNTING TORQUE TO BE WITHIN 2.5N\*m

REVISIONS				
ZONE	REV.	DESCRIPTION	DATE	APPROVED
	1	PRELIMINARY	7/17/2020	

IP ADAPTER CODE	NUT		OPTIONAL		
IP09AB1-MP1	00	STANDARD NUT	-	D	WITH IP DUST CAP
	P0	PREMIUM NUT	-		- B02

NUT (ITEM #3) OPTION	
PN	TYPE
IP09-AMN-02	STANDARD
IP09-AMN-03	PREMIUM



Category

**P**

UNLESS OTHERWISE SPECIFIED:  
DEBURRS ALL SHARP EDGES.  
DIMENSIONS ARE AFTER FINISH.

All Dimensions are in mm

TOLERANCES: X. = ±  
X = ±0.2  
.XX = ±0.10  
.XXX = ±  
∠ = ±2°



ITEM NO.	PART NUMBER	PART DESCRIPTION	MATERIAL	QTY.
1	IP09-HAB-MP01	IP9 ADAPTER HOUSING, MPO BULKHEAD	TP, BLACK	1
2	IP-ORNG-F-14.7-1.9	IP9 SQUARE RING, ADAPTER HOUSING	RB	1
3	IP09-AMN-0X	IP9 ADAPTER NUT	MTL	1
4	IP09DA1-01	IP9 ADAPTER DUST CAP ASSEMBLY	SEE BOM	1

Drawn By: ENG. DEPT.      Checked By: Eng. Dept.      Material: SEE BOM      Scale: Free



Part Number: IP09AB1-MP1X0-D-B02  
Description: IP9 MPO BULKHEAD ADAPTER

DWG# P-ENH20-475      Rev. 1      Sheet 1