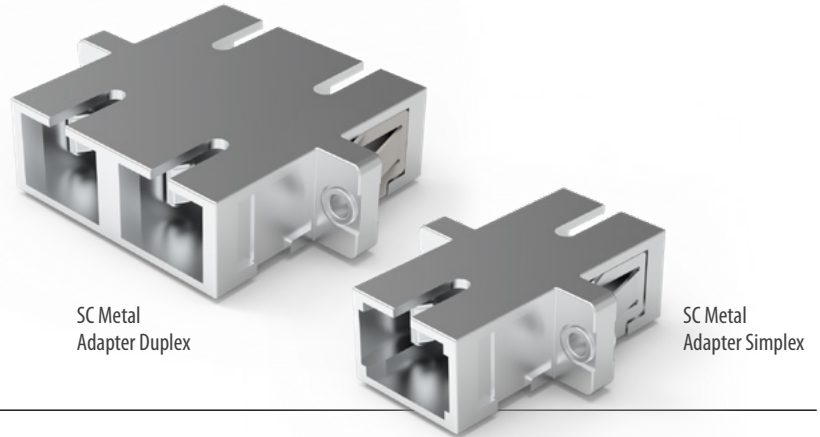


SC METAL **ADAPTER** **226 / 228 Series**



SENKO's SC metal adapters are engineered for scenarios requiring EMI shielding or the enhanced durability provided by a metal housing. Users have the flexibility to choose between simplex and duplex options, catering to different connectivity needs. The high Tg hook feature ensures secure latching, preventing accidental disconnections and maintaining a stable connection. Precision is guaranteed with the use of zirconia alignment sleeves, which align the fibers accurately for optimal signal transmission. This combination of features makes SENKO's SC metal adapters suitable for robust applications where reliability and performance are critical.

FEATURES

- EMI shielding
- Zirconia alignment sleeves
- Secure latching mechanism
- Simplex and duplex options

APPLICATIONS

- Telecommunications
- On board optics
- Data centers
- Local area networks (LANs)
- FTTX networks
- Premise distribution networks
- Industrial applications

KEY BENEFITS

- ✓ **Enhanced durability**
- ✓ **Reliable / repeatable connection**
- ✓ **Easy installation**

Mechanical Data

	Value
Durability	200 matings per GR-326-Core
Fixing Method	Screw and nut (<i>Adapter with flange</i>)
Housing Material	Metallic
Alignment Sleeve Material	Zirconia
Fiber Count	Simplex or Duplex (<i>1 or 2 channel</i>)

Optical Data

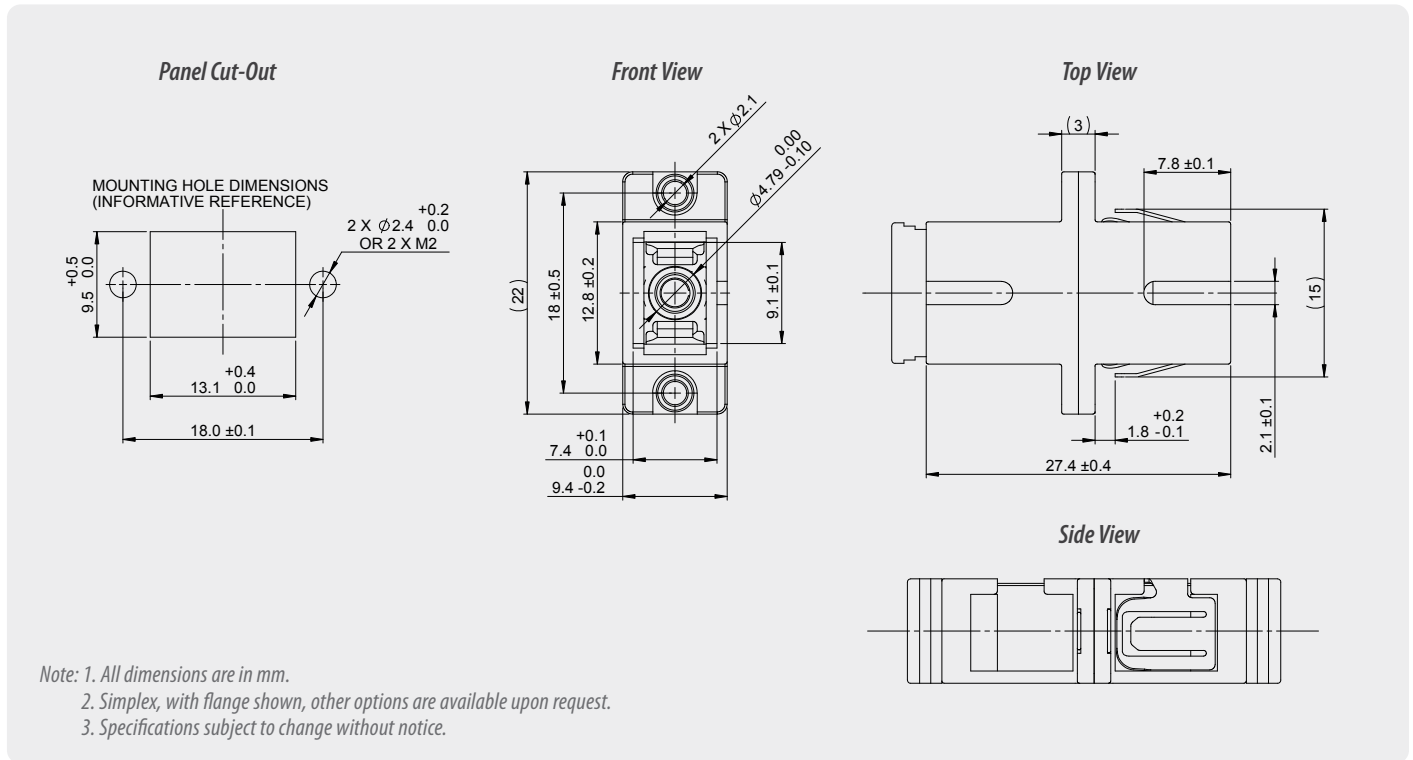
	Value
Typical Insertion Loss (dB)	0.10
Max. Insertion Loss (dB)	0.20

** Based on master grade jumper to low loss random mating test*

Environmental Data

	Value
Operating Temperature	-40°C to +75°C
RoHS Compliance	Yes
REACH Compliance	Yes
Humidity Resistance	95%

Adapter Drawing



ORDERING



SC Metal Adapter
Simplex



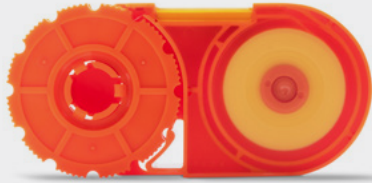
SC Metal Adapter
Duplex

TYPE	SLEEVE TYPE	HOOK MATERIAL
226 Simplex	101 Zirconia	1 Hi-Tg
228 Duplex		

226 - 101 - 1 ORDER CODE example

Accessories - Production/Cleaning**Smart Cleaner™****Cassette**

PN: SCK-CC-100

**Smart Cleaner™****2.5 mm Clicker**

PN: SCK-SS-250

Refill PN: SCK-SS-250-R

**SC Crimp Tool**

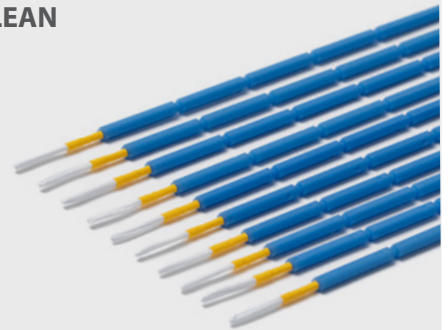
PN: CRT-401 SC, FC, ST One Piece Connectors

CRT-501 SC Connector Kit 132 Series

CRT-705 SC/LC 1.2 mm Connector

**2.5 mm NEOCLEAN
Cleaning Stick**

PN: CSK-02

**Accessories - Interferometry****SUMIX Max W+ Inspection Scope**

PN: SMX-MANTA-W+



The MANTA W+ inspection scope is designed for high-performance inspection of all types of single fiber and multi-fiber optical connectors, patch cords and bulkheads. The MANTA HM inspection scope is used to detect scratches, contamination and other surface defects as small as 0.75 μm on the end face of the connector.

SUMIX Max QM+ Inspection Scope

PN: MAX-QM+



The MAX-QS+ is a white-light and phase-shift interferometer for inspection of single fiber ST, FC, SC, LC, CS, SN, E2000™ (PC and APC), small format multi-fiber MT-RJ (PC and APC), SMA and special connectors. MAX-QS+ features portable design, autofocus, 100 micron scan range for fiber height and resolution of 1.1 μm .

Contact sales@senko.com
or visit our website for more details

**Contact
SENKO**

SENKO[®]

Advanced Components

sales@senko.com
1-858-623-3300

senko.com/contact