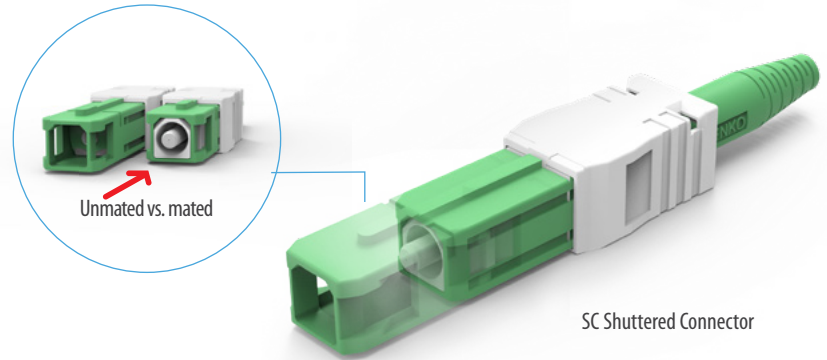




## SC SHUTTERED CONNECTOR 2S1 Series



Cable assemblies that utilize the SENKO SC Shuttered Connector enjoy the highest level of eye safety, thanks to an internal shutter mechanism that blocks the light path when disconnected.

This integrated shutter feature offers comprehensive protection in the unmated state by covering the connector's emitting face. The shutter operates automatically when the connector is unmated, eliminating the need for any special tools.

The shuttered feature is the ideal solution for scenarios involving the use of powered equipment and in testing environments where cables are frequently connected to a laser source.

Like all SENKO SC Connector ranges, it adheres to IEC 61754-4 standards, featuring a push-pull mechanism and 2.5 mm ferrules, is optimized for both optical and mechanical performance and can be adapted to accommodate various cable types for Single-mode fiber.

### FEATURES

- 100% automatic shutter operation
- Full optical end face blocking
- Compliant with IEC 61754-4
- Push-pull coupling mechanism for repeatable and simple installation.
- Single-mode applications
- 900 µm, 2 mm and 3 mm boot options
- Housing and boots can be color-coded
- Typical low loss IL 0.05 dB

### APPLICATIONS

- Data center networks
- Telecommunications networks
- FTTX networks
- Premise distribution networks
- Industrial and defense systems
- Laboratory environments
- Medical devices

### KEY BENEFITS

- ✓ **Laser safe operation**
- ✓ **No tools required**
- ✓ **Ideally suited to training environments**
- ✓ **Reliable performance even in extreme temperatures**

### Mechanical Data

	Value
Durability	500 matings per TIA-568.3
Fiber Count	Simplex (1fiber)
Ferrule Material	Zirconia
Cable Suitability	900 μm, 2 mm, 3 mm Diameter

### Optical Data

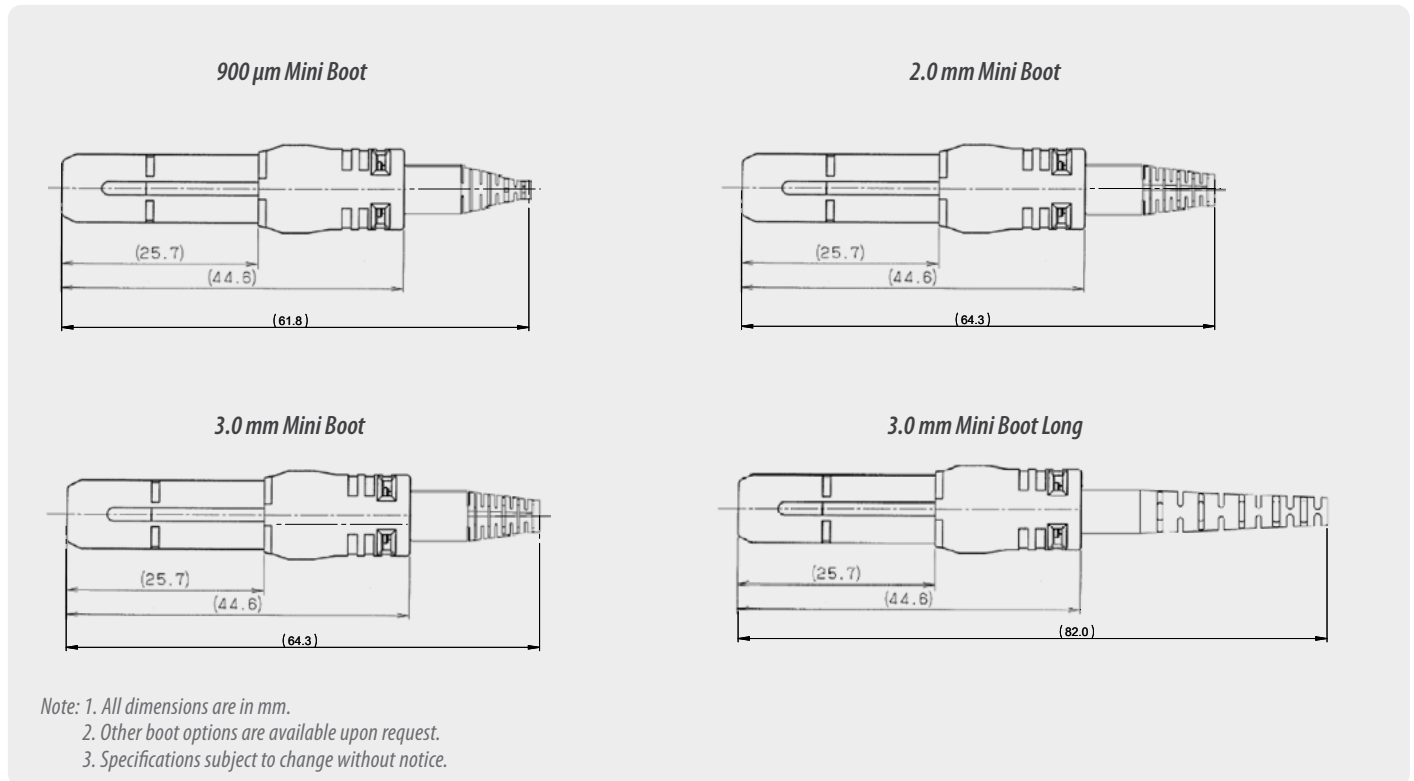
	Singlemode	
	UPC	APC
	Standard	Standard
Typical Insertion Loss (dB)*	0.08	0.10
Max. Insertion Loss (dB)*	0.20	0.25
Typical Return Loss (dB)*	≥55	≥65
Ferrule Diameter (μm)	125	

\*IL against Master Jumper

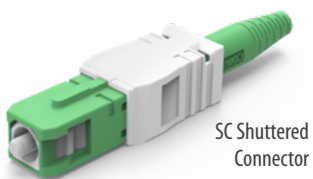
### Environmental Data

	Value
Operating Temperature	-40°C to +75°C
RoHS Compliance	Yes
REACH Compliance	Yes
Humidity Resistance	95%

## Connector Drawing



### ORDERING

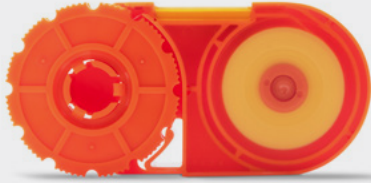


CONNECTOR	FERRULE TYPE	HOUSING	BOOT TYPE	BOOT COLOR
2S1 SC Shuttered	193 SM: Premium 125 µm	3 Green	1 900 µm MINI Boot	1 Blue
		6 Blue	2 2 mm MINI Boot	3 Green (APC)
			3 3 mm MINI Boot	7 White
			7 3 mm LONG Boot	

2S1 - 193 - 611 ORDER CODE example

**Accessories - Production/Cleaning**

**Smart Cleaner™**  
Cassette  
PN: SCK-CC-100



**Smart Cleaner™**  
2.5 mm Clicker  
PN: SCK-SS-250  
Refill PN: SCK-SS-250-R



**SC Crimp Tool**  
PN: CRT-401 SC, FC, ST One Piece Connectors  
CRT-501 SC Connector Kit 132 Series  
CRT-705 SC/LC 1.2 mm Connector



**2.5 mm NEOCLEAN  
Cleaning Stick**  
PN: CSK-02



**Accessories - Interferometry**

**SUMIX Max W+ Inspection Scope**  
PN: SMX-MANTA-W+



The MANTA W+ inspection scope is designed for high-performance inspection of all types of single fiber and multi-fiber optical connectors, patch cords and bulkheads. The MANTA HM inspection scope is used to detect scratches, contamination and other surface defects as small as 0.75 µm on the end face of the connector.

**SUMIX Max QM+ Inspection Scope**  
PN: MAX-QM+



The MAX-QS+ is a white-light and phase-shift interferometer for inspection of single fiber ST, FC, SC, LC, CS, SN, E2000™ (PC and APC), small format multi-fiber MT-RJ (PC and APC), SMA and special connectors. MAX-QS+ features portable design, autofocus, 100 micron scan range for fiber height and resolution of 1.1 µm.

Contact [sales@senko.com](mailto:sales@senko.com)  
or visit our website for more details



# SENKO<sup>®</sup>

Advanced Components

[sales@senko.com](mailto:sales@senko.com)  
1-858-623-3300

[senko.com/contact](https://senko.com/contact)