

IP-SOLID SC CONNECTOR Female



IP-Solid
SC Female Connector

The IP-Solid SC Female Connector is a robust fiber optic connectivity solution designed for deployment in challenging environments that may include harsh temperatures, moisture, dust, and more. This hardened fiber optic connector is optimized for FTTH deployment. With its IP68 rated light-weight plastic body, the IP-Solid SC Connector can be terminated easily on various cable types including 4.8 mm round, flat drop, and the smaller footprint micro flat drop.

It incorporates Senko's reputable Premium quality SC connector for consistent, high-quality optical performance. Being designed for FTTH applications, the IP-Solid seamlessly integrates with most HFOC interfaces. Experience tested reliability, performance, and peace of mind with this durable connector. Perfect for demanding fiber optic applications, the IP-Solid SC Female Connector is the go-to solution for reliable outside plant connectivity.

FEATURES

- IP68 rated connector body
- HFOC Plug interface
- Plastic robust body
- UV resistance for outdoor applications
- Simple termination process
- Suitable for various cable types

APPLICATIONS

- FTTH applications
- Multiport terminals
- Splice closures

KEY BENEFITS

- ✓ **Optimized for FTTH applications**
- ✓ **IP68 rated robust body**
- ✓ **Simple termination**

Mechanical Data

	Value
Flex	0°/+90°/-90° for 8 cycles
Proof	100 lbf or 450 N for 120 seconds
TWAL	0°/90° for 30 minutes
Durability	50 matings
Impact	5-foot drop
Fiber Count	Simplex (1 fiber)
Cable Suitability	Round (4.8 mm) Flat drop (approx. 8x4 mm) Micro flat drop (approx. 5.4x3.0 mm)

Optical Data

	Singlemode	
	APC	
	Low Loss	Standard
Typical Insertion Loss (dB)*	0.07	0.12
Max. Insertion Loss (dB)*	0.15	0.25
Typical Return Loss (dB)*	≥65	≥65

* Based on master grade jumper to low loss random mating test

Environmental Data

	Value
IP Rating*	IP68 (10-ft. immersion for 7 days)
Operating Temperature (C)	-40°C to +75°C
UV Resistance	Yes
RoHS Compliance	2015/863 RoHS
REACH Compliance	Yes

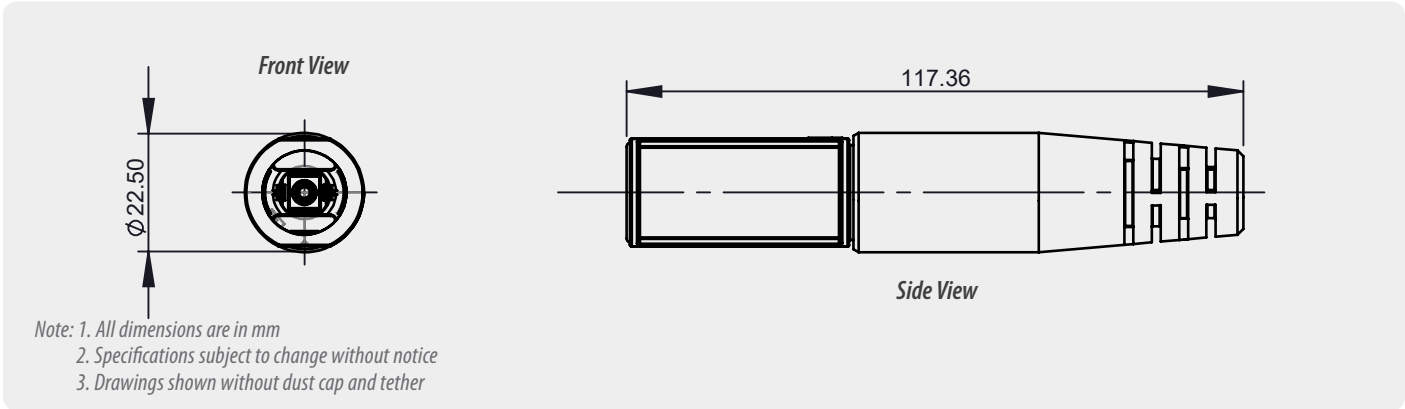
* The IP rating was validated using a SENKO sourced cable and termination procedure. It is recommended to retest IP rating for any other cable types.

IP-SOLID SC CONNECTOR

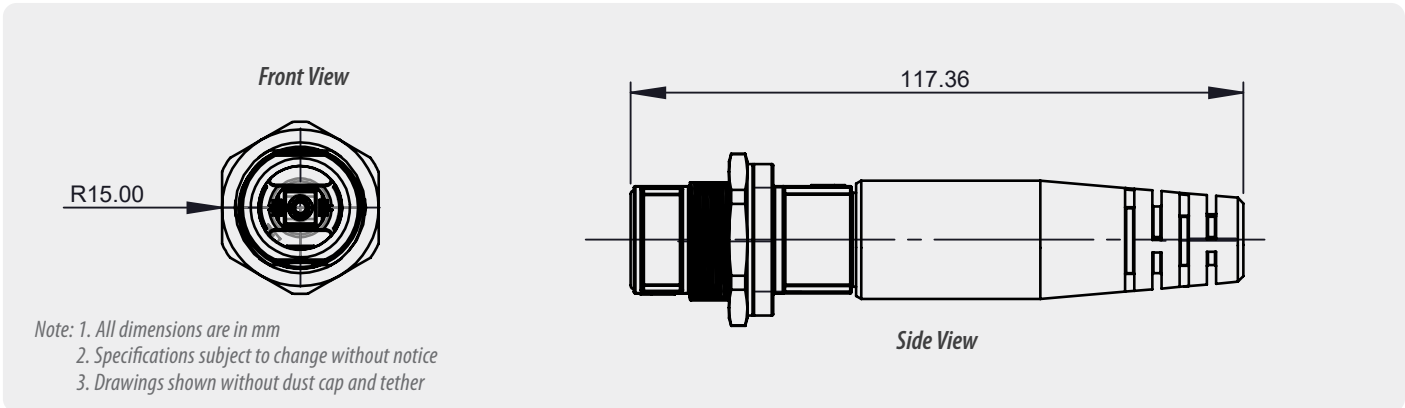
Female

HARSH ENVIRONMENT SERIES DATA SHEET

Connector Drawing - Without Flange



Connector Drawing - With Flange



ORDERING



CODE		CONNECTOR TYPE		PERFORMANCE		FIBER COUNT		CABLE SIZE		IP DUST CAP	
IPSD CF2	Female Connector with Flange	SC	SC Connector	5	SM APC Cone Not Angled	01	1 Fiber	4.8	4.8 mm Round	D	With Dust Cap
IPSD CN2	Female Connector without Flange			6	SM APC Cone Pre-angled			FD	Flat Drop		
								MD	Micro Flat Drop		

IPSDCN2 - SC601 - 4.8 - D ORDER CODE example



CODE	
XP-20318-94	SC Removable Polishing Housing

XP-20318-94 ORDER CODE example

SENKO[®]

Advanced Components

sales@senko.com
1-858-623-3300

senko.com/contact