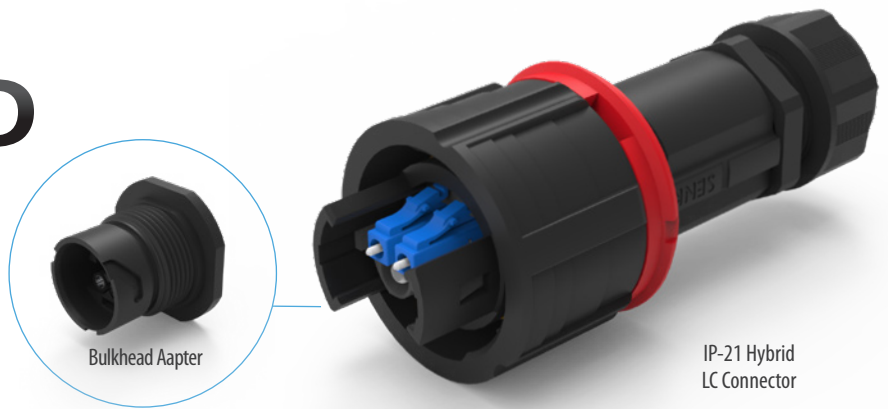


IP-21 HYBRID **LC SERIES** Connector Bulkhead Adapter



The IP-ONE (Optical 'N' Electrical) series is designed to simplify the deployment of fiber and power connectivity by combining them into a single connector. This innovative solution offers a streamlined cabling process that saves time and money while ensuring reliability and performance.

The SENKO IP-21 Hybrid LC connector series features a pair of 8-10 AWG conductors and one LC duplex connector, allowing for the transmission of both optical signal and electrical power in a single cable. The IP-21 Hybrid LC connector is housed in a robust plastic casing with an IP68 rating, ensuring its durability and resistance to harsh environmental conditions.

As the demand for hybrid cable solutions in macro cell deployment continues to rise, the IP-21 Hybrid LC series offers a cost-effective and simplified cabling solution. With its easy-to-install design and low cost, this connector series enables faster and more efficient deployment of fiber and power connectivity. By reducing installation time and costs, the IP-21 Hybrid LC series helps to increase productivity and profitability for businesses of all sizes.

FEATURES

- IP68 rated hardened connector body
- LC duplex connector (2-fiber)
- 2x 8-10 AWG conductors
- High power applications
- Bayonet lock with patented Safe Lock Ring
- UV resistance for outdoor applications
- 100lbs superior pull force
- Easy and quick termination
- 8-13mm OD cable compatible

APPLICATIONS

- FTTA
- Macro cell
- Hybrid trunk cable

KEY BENEFITS

- ✓ **High power hybrid (fiber + power)**
- ✓ **IP68 robust housing**
- ✓ **100 lbs pull force**

Mechanical Data

	Value
Proof	100 lbf or 450 N for 120 seconds
Durability	50 matings
Fiber Count	Duplex (2 fibers)
Cable Suitability	8.0 - 13.0 mm round

Optical Data

	Singlemode				Multimode
	UPC		APC		MM
	Low Loss	Standard	Low Loss	Standard	Standard
Typical Insertion Loss (dB)*	0.05	0.08	0.07	0.12	0.10
Max. Insertion Loss (dB)*	0.15	0.20	0.15	0.25	0.20
Typical Return Loss (dB)*	≥55		≥65		≥25

* Based on master grade jumper to low loss random mating test

Environmental Data

	Value
IP Rating*	IP68
Operating Temperature (C)	-40°C to +75°C
UV Resistance	Yes
RoHS Compliance	2015/863 RoHS
REACH Compliance	Yes

* The IP rating was validated using a SENKO sourced cable and termination procedure. It is recommended to retest IP rating for any other cable types.

Electrical Data

	Current Rating
Maximum DC	600V / 55A ^{1,2}
Conductor Size	8-10 AWG x 2 (1 pair)

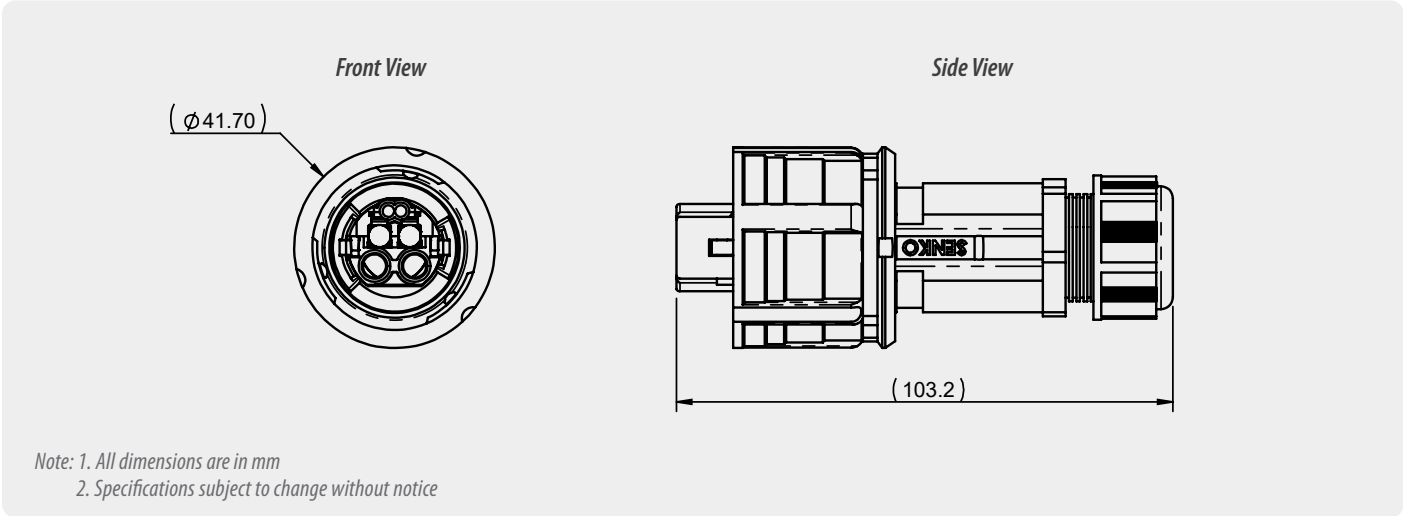
1 - Current rating at 25C ambient temperature. For higher temperature ratings, please follow Local and National Electrical Codes and requirements.

2 - IP-21 Hybrid Connector Series is designed to meet the latest Electrical and Safety requirements.

IP-21 HYBRID LC SERIES Connector

HARSH ENVIRONMENT SERIES DATA SHEET

Connector Drawing



ORDERING



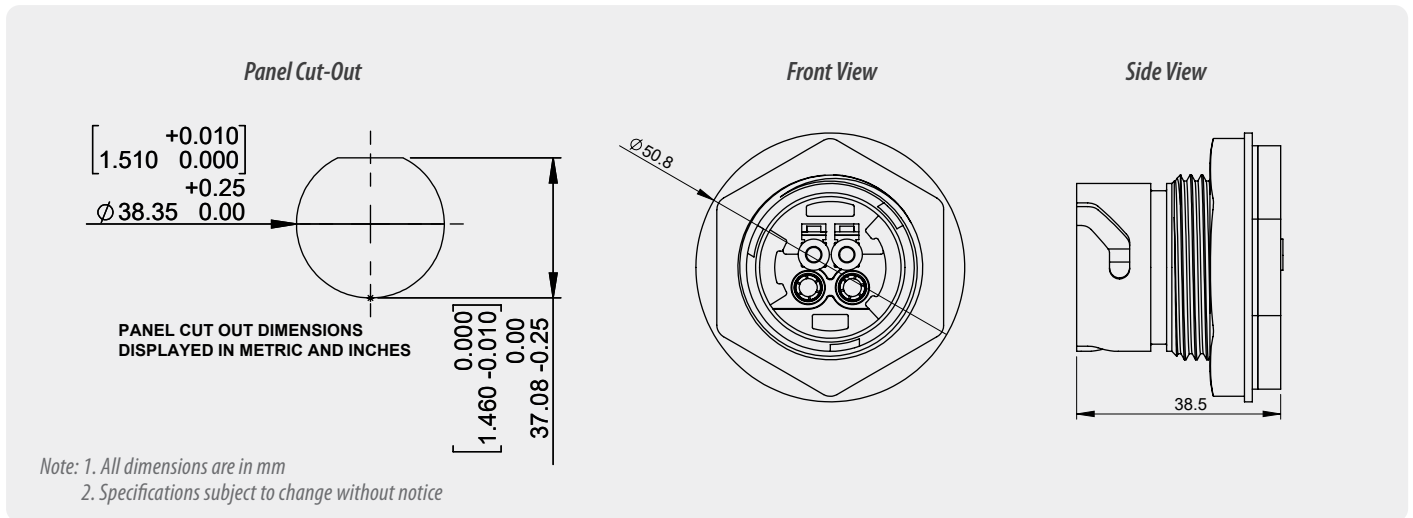
CODE	CONNECTOR TYPE	FIBER TYPE	FIBER COUNT	CABLE SIZE	COPPER CABLE GAUGE SIZE
IP21C1	LC LC Connector	L SM UPC	02 2 Fibers	H 8-13 mm	02 10-8AWG
		G SM APC Green			
		A OM3 MM Aqua			
		V OM4 MM Violet			
		M OM5 Lime Green			

IP21C1 - LCL02 - H - 02 ORDER CODE example

CODE	PRODUCT TYPE	GENERATION
IP21	DC1 Connector Dust Cap	01 Gen1

IP21DC1 - 01 ORDER CODE example

Bulkhead Adapter Drawing



ORDERING



IP-21 Hybrid LC Bulkhead Adapter

CODE	ADAPTER TYPE	CONNECTOR TYPE	PORT COUNT	LOCK RING	COPPER CABLE GAUGE SIZE
IP21	AB2 Bulkhead Adapter	LC LC Adapter	2 2 Ports	00 With Lock Ring and Gasket	02 10-8AWG

IP25AB2 - LC200 - 02 ORDER CODE example

CODE	PRODUCT TYPE	GENERATION
IP21	DA2 Mating Adapter Dust Cap	01 Gen1

IP21DA2 - 01 ORDER CODE example

SENKO[®]

Advanced Components

sales@senko.com
1-858-623-3300

senko.com/contact