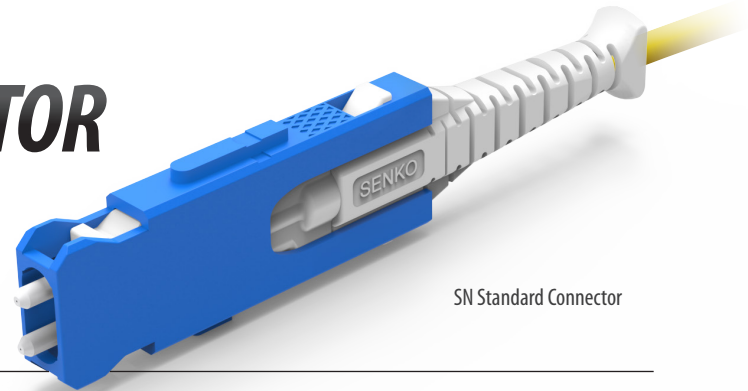


SN[®] **STANDARD CONNECTOR**

1-Channel (2F)

1.6 mm and 2.0 mm Cable



SN Standard Connector

The SN[®] connector is the ultimate Base-2 connector combining 'best-in-class' packing density with carrier-grade performance and reliability. Designed and optimized for next-generation data rates, the SN[®] connector offers network operators the chance to densify their existing legacy infrastructure whilst at the same time providing an upgrade path to 400G and beyond.

The SN[®] Standard connector is suitable for termination to either 1.6 mm or 2.0 mm round cable that incorporates a ruggedized jacket and internal strain relief.

The SN[®] Standard connector has an integrated 'push-pull' boot that simplifies insertion and removal of the connector even in dense patch panels where finger access is limited. A gang-clip can be added to four individual SN[®] connectors allowing them to be patched simultaneously to either adapters or 4-channel (8 fibers) transceivers (subject to product selection).

FEATURES

- Meets IEC random mating Grade B
- Very Small Form Factor (VSFF) connector, 3 x fiber cabling density over Duplex LC
- Unique push-pull boot for simple installation and removal
- Optimized for 400G data rates with QSFP-DD, OSFP and SFP-DD transceivers
- Up to 4 x SN connectors per transceiver
- Direct transceiver breakout in spine/leaf architectures
- Combines two 1.25 mm ceramic ferrules
- Easy identification of the connector alignment key

APPLICATIONS

- High-density patching
- QSFP-DD, OSFP and SFP-DD transceiver links for higher data rates
- Hybrid Base-2 cable assemblies combining SN and other duplex connector types
- Hyperscale, edge, enterprise and colocation data centers

KEY BENEFITS

- ✓ **Optimized for patching**

SN® STANDARD CONNECTOR

1-channel (2F), 1.6 mm and 2.0 mm cable

SN® CONNECTOR DATA SHEET

Mechanical Data

	Value
Durability	500 matings per TIA-568
Fiber Count	Duplex (2 fibers)
Cable Suitability	1.6 mm/2.0 mm jacketed
Ferrule Material	Zirconia
Dust Protection Method	Removable dust plugs that encapsulate the ferrules

Optical Data

	Singlemode				Multimode
	UPC		APC		MM
	SM Premium Low Loss	SM Premium	SM Premium Low Loss	SM Premium	Premium
Typical Insertion Loss (dB)*	0.05	0.08	0.07	0.12	0.05
Max. Insertion Loss (dB)*	0.15	0.20	0.15	0.25	0.15
Typical Return Loss (dB)*	≥55		≥65		≥25
Ferrule Diameter (µm)	125.5				127

* Based on master grade jumper to low loss random mating test

Environmental Data

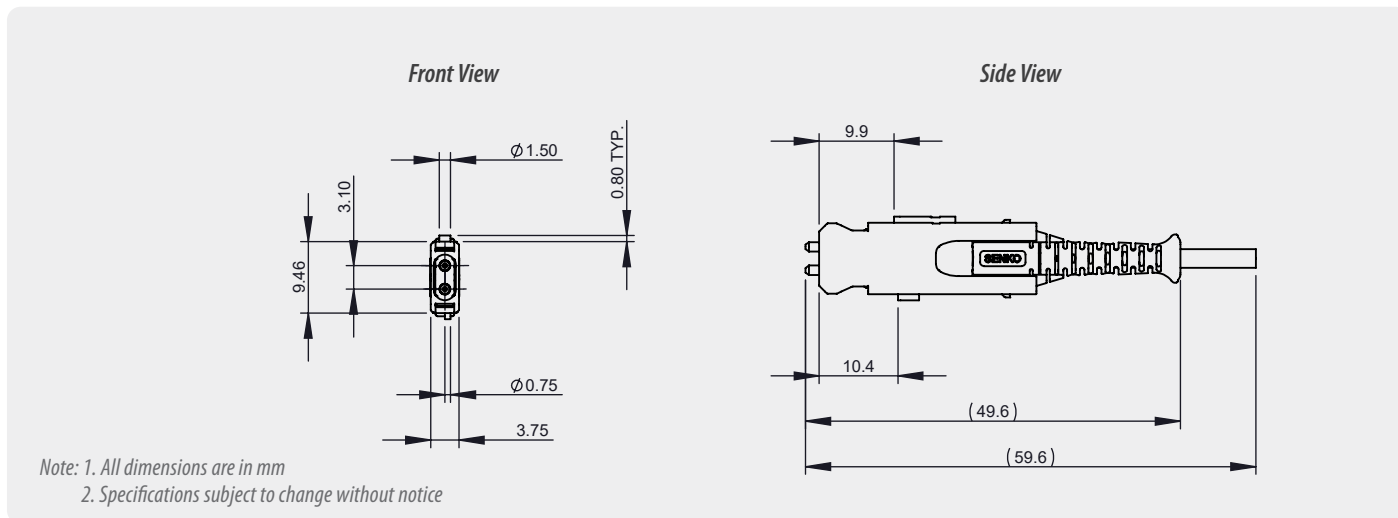
	Value
Operating Temperature	-40°C to +75°C
RoHS Compliance	2015/863 RoHS
REACH Compliance	Yes
Free of Halogen	Yes
Humidity Resistance	95%

SN® STANDARD CONNECTOR

1-channel (2F), 1.6 mm and 2.0 mm cable

SN CONNECTOR DATA SHEET

1-Channel Connector Drawing



ORDERING



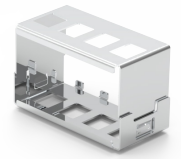
CONNECTOR TYPE	PERFORMANCE	HOUSING COLOR	BOOT TYPE	BOOT COLOR
602 SN Connector UPC Unassembled for 1.6 mm Cable	151 SM Premium	1 Blue	1 50 mm Boot (50T)	1 White
604 SN Connector UPC Unassembled for 2 mm Cable	158 SM Premium Low Loss	5 Aqua	B Flex-Angled Boot (57T)	
	251 MM Premium	6 Heather Violet	C Flex-Angled Boot (63T)	
			D Flex-Angled Boot (71T)	



CONNECTOR TYPE	PERFORMANCE	HOUSING COLOR	BOOT TYPE	BOOT COLOR
612 SN Connector APC Unassembled for 1.6 mm Cable	153 APC Premium	3 Green	1 50 mm Boot (50T)	1 White
614 SN Connector APC Unassembled for 2 mm Cable	158 APC Premium Low Loss		B Flex-Angled Boot (57T)	
			C Flex-Angled Boot (63T)	
			D Flex-Angled Boot (71T)	

612 - 153 - 311 ORDER CODE example

Note: Connector supplied with protective dust-cap



PART NUMBER	
602-CLIP-QD-01	Metal Quad Gang-clip for QSFP-DD Transceivers
602-CLIP-DX-01	Metal Duplex Gang-clip for SFP-DD Transceivers



PART NUMBER	
602-CLIP-QD-02	Plastic Quad Gang-clip for Shuttered Adapters or Adapters with Walls Between Each Port

602-CLIP-QD-02 ORDER CODE example

SENKO[®]

Advanced Components

sales@senko.com
1-858-623-3300

senko.com/contact