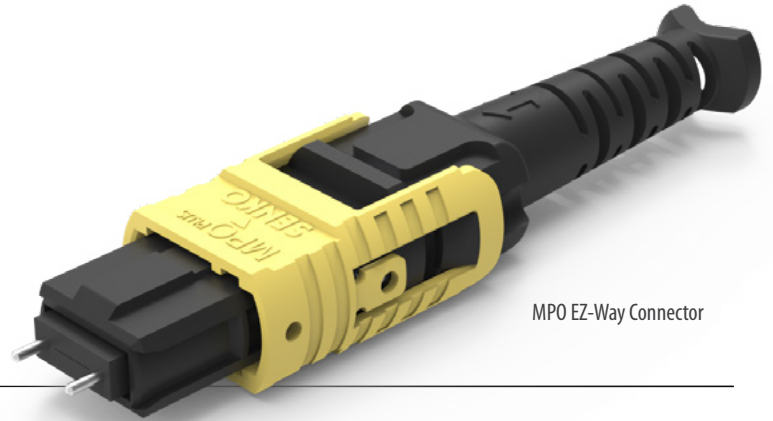


MPO **EZ-WAY**[™] CONNECTOR 752 and 753 Series



MPO EZ-Way Connector

The MPO EZ-Way[™] Connector from SENKO is a versatile and high-performance solution designed for the most demanding data transmission environments. Fully compatible with all industry-standard MPO connectors, this connector ensures seamless integration with existing systems. Its innovative push-pull boot design allows for quick and effortless patching and removal, even in the densest environments. Optimized for 800G dual belly-to-belly type transceivers, the MPO EZ-Way[™] Connector supports high data rate applications with ease. It boasts industry-leading optical performance, achieving a maximum insertion loss of just 0.35 dB for Single Mode Premium Low Loss when used as a mated connection with other MPO EZ-Way[™] connectors or leading brand connectors. Available in 12f and 24f variants with a center key, and 16f and 32f variants with an offset key, this connector is ideal for both the Enterprise market and the rapidly evolving Hyperscale market.

FEATURES

- Push-pull boot
- Lowest insertion loss on the market
- High density and compact size
- 12/24 fiber center key
- 16/32 fiber offset key
- Multiple variants available for your application needs
- Free floating ferrule

APPLICATIONS

- Artificial intelligence (AI)
- Data center
- FTTx
- Cloud computing
- Broadcasting
- Medical imaging
- High performance computing (HPC)

KEY BENEFITS

- ✓ **QSFP DD Footprint**
- ✓ **Push pull boot for EZ insertion/extraction**
- ✓ **Lowest Insertion Loss on the Market**
- ✓ **Durability**
- ✓ **Precision metal guide pins**

Mechanical Data

	Value
Durability	500 matings per TIA-568.3
Fiber Count	Up to 32 fibers
Cable Suitability	3.0 mm round fiber

Optical Data

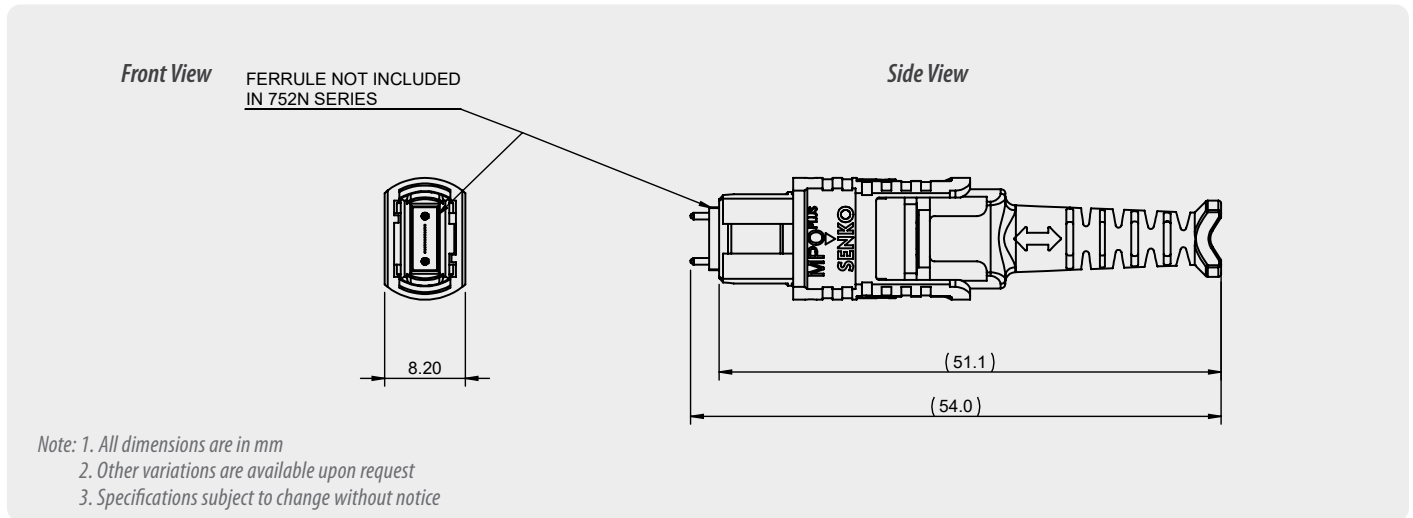
	Singlemode		Multimode	
	APC		MM	
	Low Loss	Standard	Low Loss	Standard
Typical Insertion Loss (dB)* 12-fiber	0.10	0.20	0.08	0.10
Max. Insertion Loss (dB)* 12-fiber	0.25	0.70	0.25	0.50
Typical Insertion Loss (dB)* 24-fiber	0.15	0.25	0.15	0.20
Max. Insertion Loss (dB)* 24-fiber	0.35	1.00	0.35	0.50
Typical Insertion Loss (dB)* 16-fiber	0.15	N/A	0.15	0.20
Max. Insertion Loss (dB)* 16-fiber	0.35	N/A	0.35	0.60
Typical Insertion Loss (dB)* 32-fiber	N/A	N/A	N/A	0.25
Max. Insertion Loss (dB)* 32-fiber	N/A	N/A	N/A	0.60
Typical Return Loss (dB)*	≥60		≥25	

* Based on master grade jumper to low loss random mating test

Environmental Data

	Value
Operating Temperature	-40°C to +75°C
RoHS Compliance	Yes
REACH Compliance	Yes

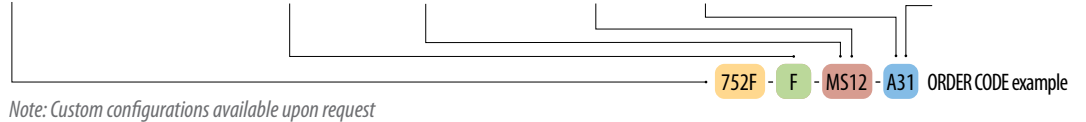
Connector Drawing - 752 Series



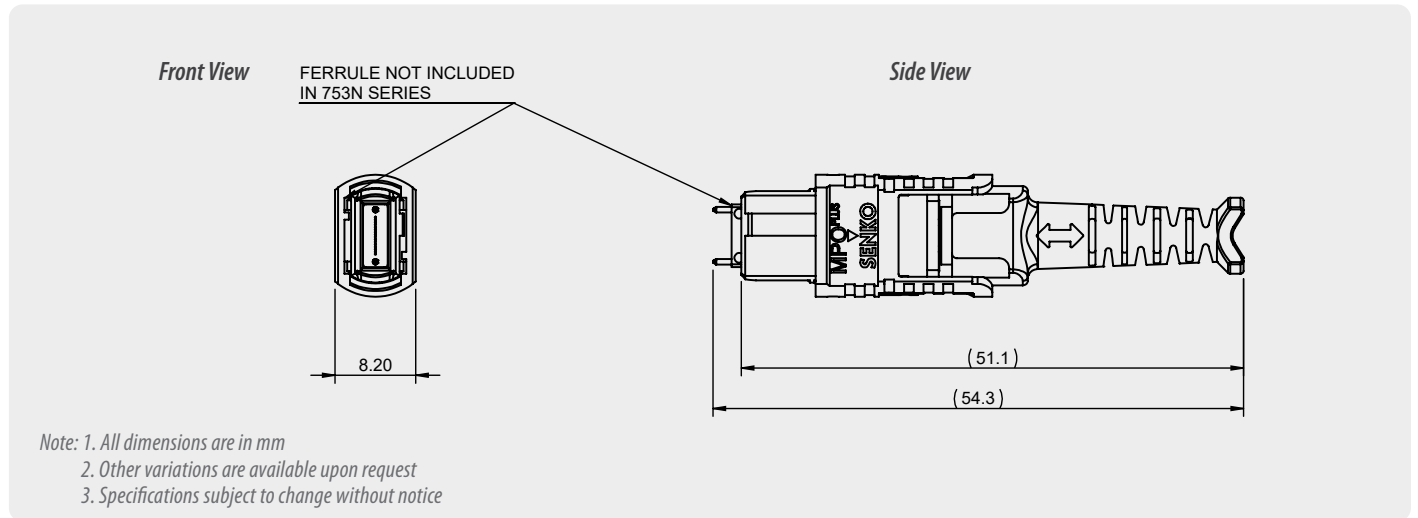
ORDERING



CONNECTOR		GENDER/PIN		FERRULE TYPE		FIBER COUNT		HOUSING COLOR		BOOT/CABLE	
752F	MPO EZ-Way Connector	F	Female	SS	SM Standard	04	04F	Y	SM Low Loss Yellow	31	3.0mm Boot
	12F/24F with MT Ferrule	M	Male	SL	SM Low Loss	08	08F	G	APC Green		
				MS	MM Standard	12	12F	V	MM OM4 Heather Violet		
				ML	MM Low Loss	24	24F	A	MM OM3 Aqua		
								T	MM Beige		
								B	MM Black		
								M	MM OM5 Lime Green		



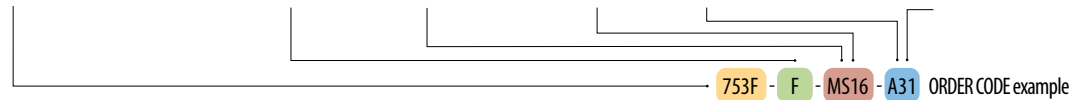
Connector Drawing - 753 Series



ORDERING



CONNECTOR	GENDER/PIN	FERRULE TYPE	FIBER COUNT	HOUSING COLOR	BOOT/CABLE
753F MPO EZ-Way Connector	F Female	SS SM Standard	16 16F	Y SM Low Loss Yellow	31 3.0mm Boot
16F/32F with MT Ferrule	M Male	SL SM Low Loss	32 32F	G APC Green	
		MS MM Standard		V MM OM4 Heather Violet	
		ML MM Low Loss		A MM OM3 Aqua	
		For Angle Polish Only		T MM Beige	
				B MM Black	
				M MM OM5 Lime Green	



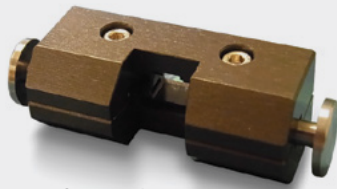
Note: Custom configurations available upon request

Accessories

MPO-PLUS®

Removal Tool

PN: RMT-603



- Removes Outer housing for gender change and ferrule cleaning

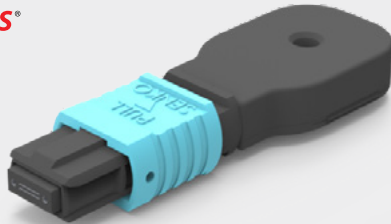
MPO-PLUS®

Ribbon Stripper



MPO-PLUS®

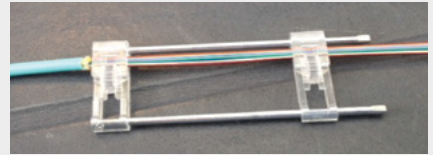
Loopback



MPO-PLUS®

Ribbonizer

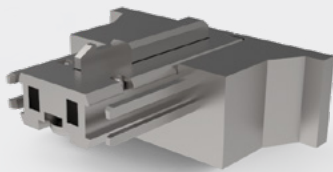
PN: RBN-601



MPO-PLUS®

Polarity Changeable Adapter Extraction Tool

PN: RMT-609



MPO-PLUS®

Quality Master Jumper



Accessories - Cleaning

Smart Cleaner™

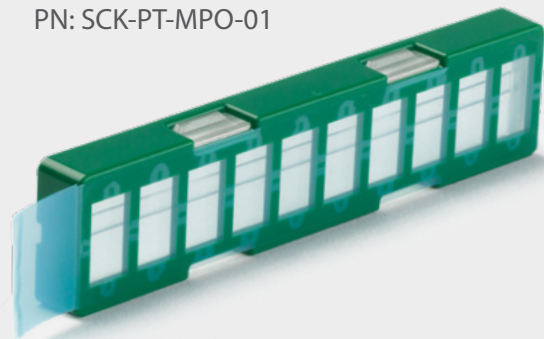
PN: SCK-SS-MPO (12/24F Center Key Connectors)
PN: SCK-SS-MPO-02 (16/32F Offset Key Connectors)



MPO-PLUS®

OPTRES Gel Cleaner

PN: SCK-PT-MPO-01



Accessories - Interferometry

SUMIX Manta W+ Inspection Scope

PN: SMX-Manta-W+



- Inspects 12 fiber in 2.6 seconds, 24 fiber in 4.5 seconds
- 0.5µm defect detection
- Inspection tips for MPO, CS, SN, LC available

SUMIX Max QM+ Inspection Scope

PN: MAX-Quantum



- Inspects 12 fiber in 2.6 seconds, 24 fiber in 4.5 seconds
- 0.5µm defect detection

SMX Manta W+ MPO Polarity and Continuity Module

PN: MPO Verifier



- Works for 8, 12, 24, 48 and 16, 32 fiber MPO
- Auto test and analysis

SMX Manta W+ Benchtop Holder

PN: MNT-W-Stand



SENKO[®]

Advanced Components

sales@senko.com
1-858-623-3300

senko.com/contact