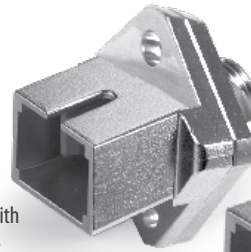
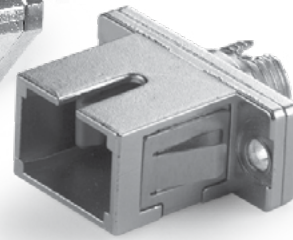


FC-SC **HYBRID ADAPTER** **282 / 285 Series**

FC-SC Adapter with
Square Flange



FC-SC Adapter with
Rectangular Flange



The SENKO FC – SC hybrid adapters are engineered to accurately align the end faces of various connector systems, making them ideal for applications that require mating FC to SC connectors. With a compact design, these adapters help network operators cut costs through space efficiency and by eliminating the need for hybrid cable assemblies.

Featuring a rugged metal body and an integrated Zirconia split alignment sleeve, these adapters offer durability and protection across different environments, suitable for both indoor and outdoor use. The adapters also come with square and SC footprint mounts for flexible installation, allowing easy integration into existing setups. Furthermore, the availability of standard and narrow FC keyway options accommodates diverse user needs, ensuring compatibility with a variety of equipment and supporting both Singlemode and Multi-mode fibers.

FEATURES

- Hybrid FC and SC coupling
- Square flange and SC footprint (*rectangular*) options
- 2 hole mounting
- Narrow and wide key way options
- Durable metal plated body
- Zirconia split alignment sleeve

APPLICATIONS

- Telecommunications
- Data centers
- Test and measurement equipment
- Industrial applications
- Medical equipment
- Military and aerospace
- Broadcast
- Medical equipment

KEY BENEFITS

- ✓ **SC footprint compatible**
- ✓ **Secure and reliable connection**
- ✓ **High repeatability**
- ✓ **Highly stable performance**
- ✓ **Low IL performance**
- ✓ **Simple installation**
- ✓ **Environmental resistance**

Mechanical Data

	Value
Durability	200 matings per GR-326-Core
Fixing Method	2 hole screw fixing (<i>square and SC footprint</i>)
Housing Material	Plated metal
Alignment Sleeve Material	Zirconia
Fiber Count	Simplex (<i>1 channel</i>)
Connector Compatability	SC, FC

Optical Data

	Value
Typical Insertion Loss (dB)	0.10
Max Insertion Loss (dB)	0.20

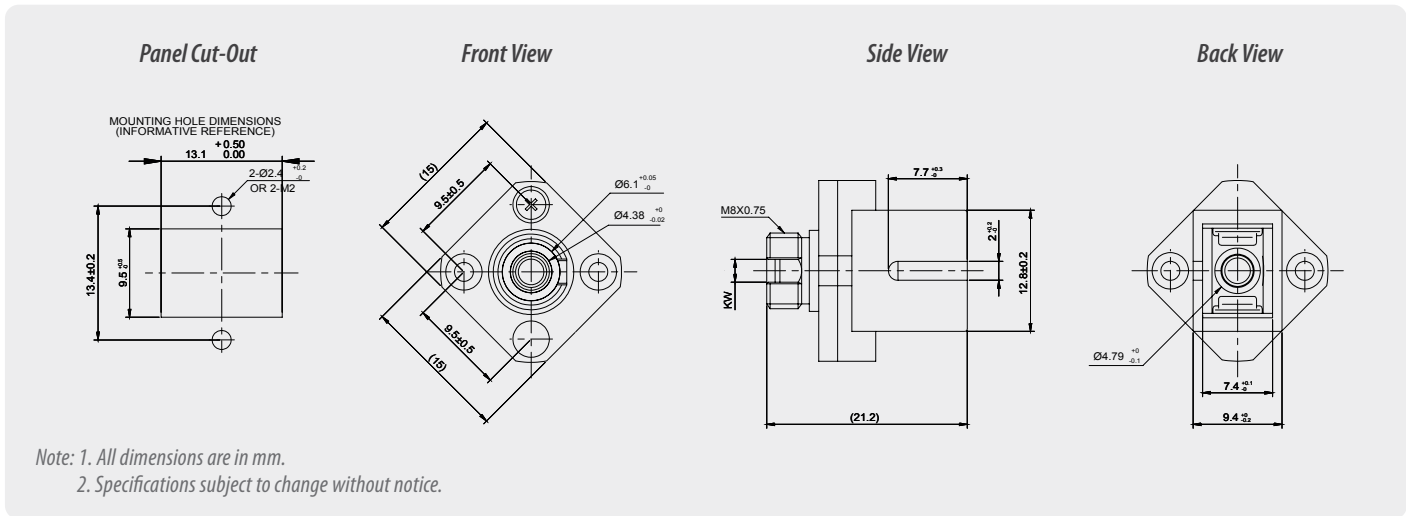
Environmental Data

	Value
Operating Temperature	-40°C to +75°C
RoHS Compliance	Yes
REACH Compliance	Yes
Humidity Resistance	95%

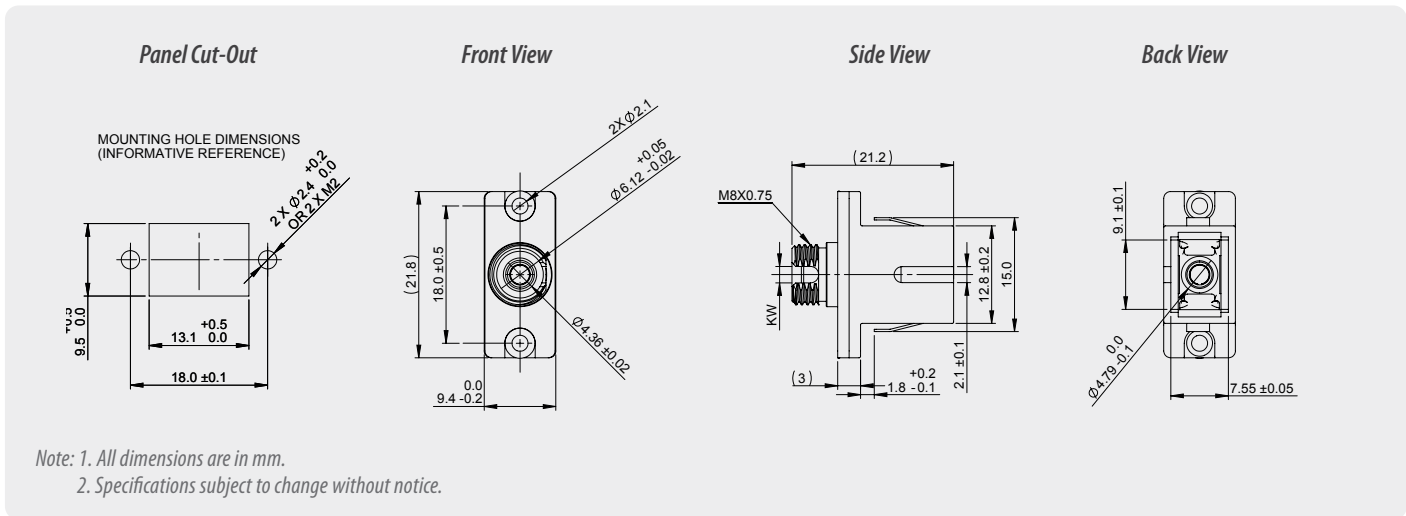
FC-SC HYBRID ADAPTER

282 / 285 Series

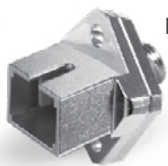
Adapter Drawing - Square Flange



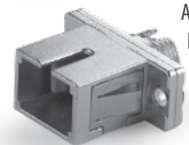
Adapter Drawing - Rectangular Flange



ORDERING



FC-SC Adapter with Square Flange



FC-SC Adapter with Rectangular Flange

CODE	KEY WIDTH	SLEEVE
282 Square Flange	1 2.15 +0.05/-0 mm	01 Zirconia Straight Split
285 Rectangular Flange	2 2.05 +/-0.02 mm	

282 - 101 ORDER CODE example

SENKO[®]

Advanced Components

sales@senko.com
1-858-623-3300

senko.com/contact