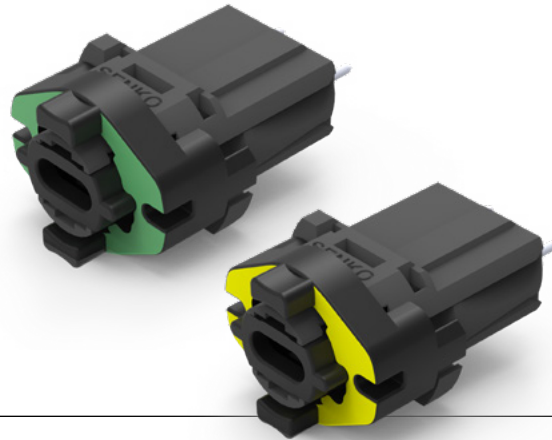


MPO⁺PLUS[®] **BAYONET CONNECTOR** **705 / 715 Series**



MPO Plus
Bayonet Connector

SENKO's MPO Plus Bayonet connector is a compact and efficient solution for limited space applications. The unique locking mechanism allows for quick and secure installation in all standard MPO adapters with a simple twist of the bayonet nut.

Industry leading low loss ferrules and free floating ferrule design, meet the rigorous optical demands of today's stringent loss budgets, repeatability, and durability requirements. The MPO Plus Bayonet connector is offered in both 12/24F center key as well as 16/32F offset key designs, meeting the latest industry demands for high speed and high density optical requirements.

FEATURES

- Locking bayonet housing
- Spring-loaded free-floating ferrule
- Lowest insertion loss on the market
- 12/24 fiber center key
- 16/32 fiber offset key

APPLICATIONS

- Telecommunications
- On board optics
- Data centers
- Local area networks (LANs)
- FTTX networks
- Premise distribution networks
- Industrial applications

KEY BENEFITS

- ✓ **Compatible with standard MPO adapters**
- ✓ **Compact Under 18 mm**
- ✓ **Robust bayonet secure latch**

Mechanical Data

| | Value |
|-------------------|----------------------------|
| Durability | 500 matings per TIA -568.3 |
| Fiber Count | Up to 32 fibers |
| Cable Suitability | Bare ribbon fiber |

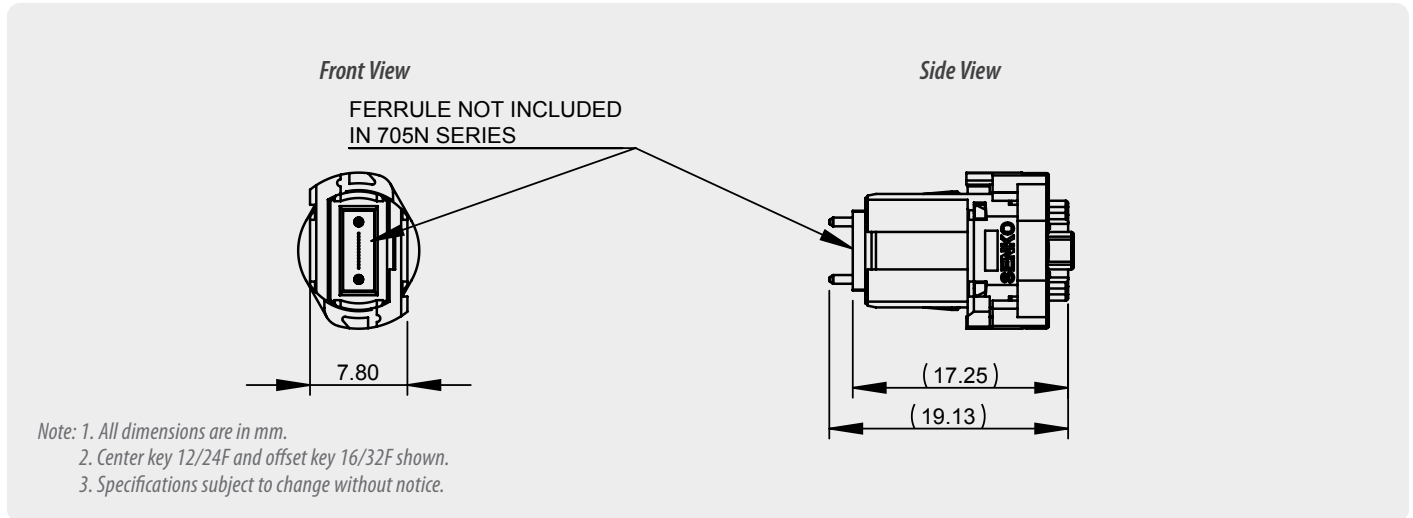
Optical Data

| | Singlemode | | Multimode | |
|-----------------------|---------------------------------------|----------|-----------|----------|
| | APC | | MM | |
| | Low Loss | Standard | Low Loss | Standard |
| Typical IL 12F | 0.10 | 0.10 | 0.08 | 0.15 |
| Max IL 12F | 0.25 | 0.10 | 0.25 | 0.50 |
| Typical IL 24F | 0.15 | 0.25 | 0.15 | 0.20 |
| Max IL 24F | 0.35 | 1.00 | 0.35 | 0.50 |
| Typical IL 16F | 0.15 | N/A | 0.15 | 0.20 |
| Max IL 16F | 0.35 | N/A | 0.35 | 0.60 |
| Typical IL 32F | N/A | N/A | N/A | 0.25 |
| Max IL 32F | N/A | N/A | N/A | 0.60 |
| Typical RL (dB) | ≥60 | | ≥25 | |
| Operating Temperature | -40°C to +75°C | | | |
| Durability | SM <0.3 dB typical change, 50 matings | | | |

Environmental Data

| | Value |
|-----------------------|----------------|
| Operating Temperature | -40°C to +75°C |
| RoHS Compliance | Yes |
| REACH Compliance | Yes |

Connector Drawing



ORDERING



MPO Plus Bayonet Connector

| BAYONET | GENDER/PIN | | FERRULE TYPE | | FIBER COUNT | | HOUSING COLOR | | BOOT/CABLE | |
|---------|------------|--------|--------------|-------------------|-------------|-----|---------------|-----------------------|------------|---------|
| 705F | F | Female | SS | SM Standard | 04 | 4F | Y | SM Low Loss Yellow | 00 | No Boot |
| | M | Male | SL | SM Super Low Loss | 08 | 8F | G | SM Green | | |
| | | | MS | MM Standard | 12 | 12F | V | MM OM4 Heather Violet | | |
| | | | ML | MM Super Low Loss | 24 | 24F | A | MM OM3 Aqua | | |
| | | | | | | | T | MM Beige | | |
| | | | | | | | B | MM Black | | |
| | | | | | | | M | Lime Green | | |

705F - M - SS12 - G00 ORDER CODE example

Note: Custom configurations available upon request.

| BAYONET | GENDER/PIN | | FERRULE TYPE | | FIBER COUNT | | HOUSING COLOR | | BOOT/CABLE | |
|---------|------------|--------|--------------|-------------------|-------------|-----|---------------|-----------------------|------------|---------|
| 715F | F | Female | SL | SM Super Low Loss | 16 | 16F | Y | SM Low Loss Yellow | 00 | No Boot |
| | M | Male | MS | MM Standard | 32 | 32F | G | SM Green | | |
| | | | | | | | V | MM OM4 Heather Violet | | |
| | | | | | | | A | MM OM3 Aqua | | |
| | | | | | | | T | MM Beige | | |
| | | | | | | | B | MM Black | | |
| | | | | | | | M | Lime Green | | |

705F - M - SL16 - G00 ORDER CODE example

Note: Custom configurations available upon request.

Accessories - Cleaning

Smart Cleaner[™]

PN: SCK-SS-MPO (12/24F Center Key Connectors)
PN: SCK-SS-MPO-02 (16/32F Offset Key Connectors)

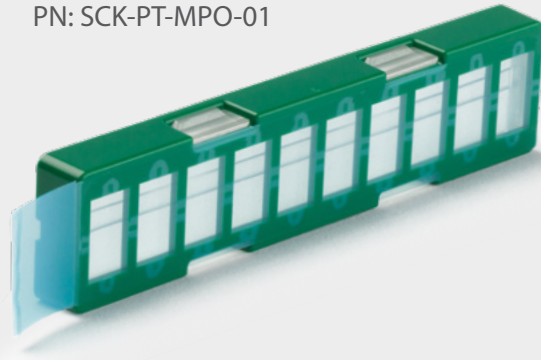
CLEANINGS
600+



MPO-PLUS[®]

OPTRES Gel Cleaner

PN: SCK-PT-MPO-01



Accessories - Interferometry

SUMIX Manta W+ Inspection Scope

PN: SMX-Manta-W+



- Inspects 12 fiber in 2.6 seconds, 24 fiber in 4.5 seconds
- 0.5µm defect detection
- Inspection tips for MPO, CS, SN, LC available

SUMIX Max QM+ Inspection Scope

PN: MAX-Quantum



- Inspects 12 fiber in 2.6 seconds, 24 fiber in 4.5 seconds
- 0.5µm defect detection

SMX Manta W+ MPO Polarity and Continuity Module

PN: MPO Verifier



- Works for 8, 12, 24, 48 and 16, 32 fiber MPO
- Auto test and analysis

SMX Manta W+ Benchtop Holder

PN: MNT-W-Stand



SENKO[®]

Advanced Components

sales@senko.com
1-858-623-3300

senko.com/contact