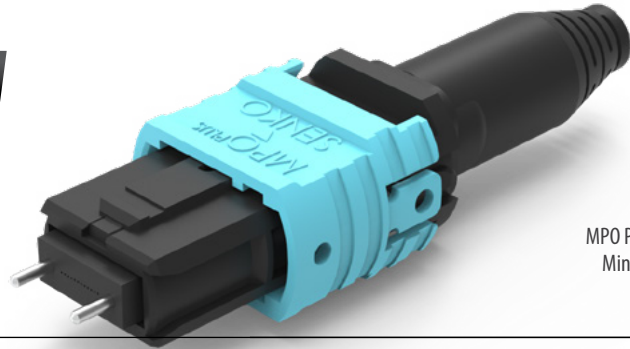


MPO^{PLUS} PREMIUM MINI CONNECTOR 703 and 713 Series



MPO Plus Premium
Mini Connector

The MPO-Plus Premium Mini connector is tailored for high-density scenarios where space is at a premium. Its compact design and optional pull-tab facilitate swift insertion and removal. Offering gender change capability without requiring the connector housing to be opened, it's exceptionally adaptable for various applications. Equipped with industry-leading Low Loss ferrules featuring a 20N spring for 16, 24, and 32 fiber versions, the MPO Mini sets a new standard. Also available is a GR-1435 qualified version.

Backed by rigorous testing and quality assurance, SENKO guarantees reliability and excellence, making it the perfect choice for future-proofing your optical connectivity and propelling your network into the next generation.

FEATURES

- Lowest insertion loss on the market
- High Density and compact size
- 12/24 Fiber center key
- 16/32 Fiber Offset key
- Multiple variants available for your application needs
- Gender changeable pins
- GR-1435 option available
- Polarity changeable 12/24F version

APPLICATIONS

- Artificial intelligence (AI)
- Data center
- FTTx
- Cloud computing
- Broadcasting
- Medical imaging
- High Performance Computing (HPC)

KEY BENEFITS

- ✓ **Lowest Insertion loss on the market**
- ✓ **Durability**
- ✓ **Precision metal guide pins**
- ✓ **Improved spring design**

Mechanical Data

	Value
Durability	500 matings per TIA-568.3
Fiber Count	Up to 32 fibers
Cable Suitability	2.0 mm - 5.5 mm round or bare / jacketed ribbon fiber

Optical Data

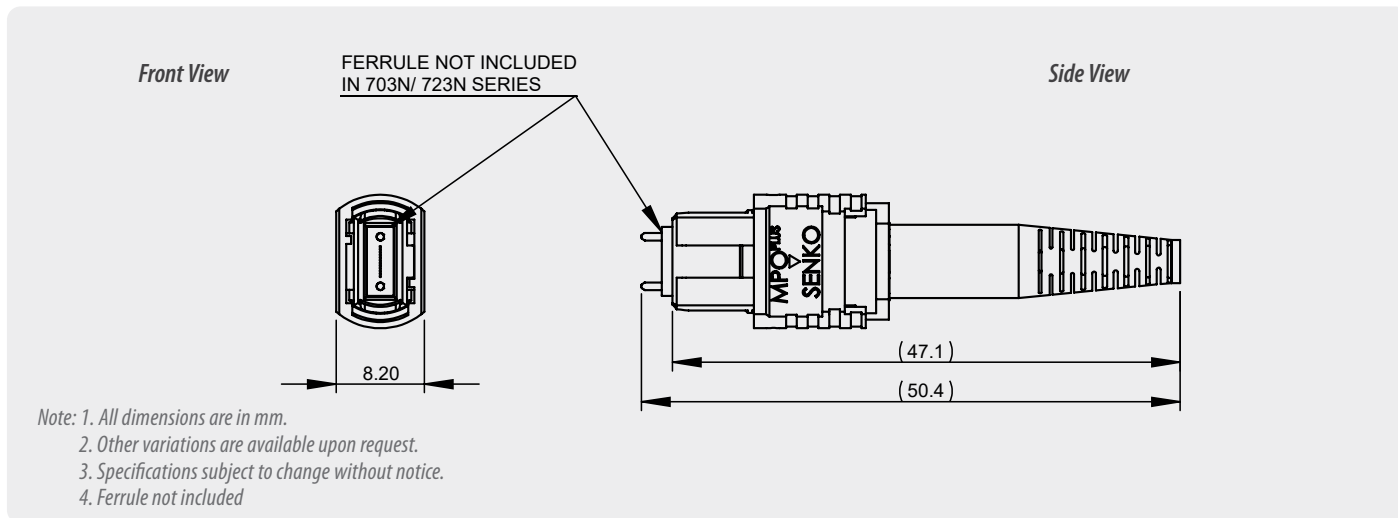
	Singlemode		Multimode	
	APC		MM	
	Low Loss	Low Loss	Low Loss	Premium
Typical Insertion Loss (dB)* 12-fiber	0.10	0.20	0.08	0.10
Max. Insertion Loss (dB)* 12-fiber	0.25	0.70	0.25	0.50
Typical Return Loss (dB)* 24-fiber	0.15	0.25	0.15	0.20
Max. Insertion Loss (dB)* 24-fiber	0.35	1.00	0.35	0.50
Typical Return Loss (dB)* 16-fiber	0.15	N/A	0.15	0.20
Max. Insertion Loss (dB)* 16-fiber	0.35	N/A	0.35	0.60
Typical Return Loss (dB)* 32-fiber	N/A	N/A	N/A	0.25
Max. Insertion Loss (dB)* 32-fiber	N/A	N/A	N/A	0.60
Typical Return Loss (dB)*	≥60		≥25	

* Based on master grade jumper to low loss random mating test

Environmental Data

	Value
Operating Temperature	-40°C to +75°C
RoHS Compliance	Yes
REACH Compliance	Yes

Connector Drawing - 703 Series

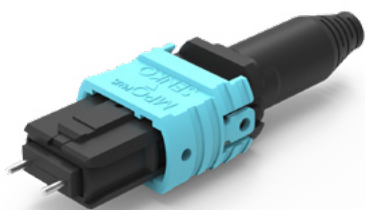


ORDERING

CONNECTOR		GENDER/PIN		FERRULE TYPE		FIBER COUNT		HOUSING COLOR		BOOT/CABLE		BOOT LENGTH	
703F	MPO-Plus Mini Connector 12F/24F with MT Ferrule	F	Female	SS	SM Standard	04	4F	Y	SM Low Loss Yellow	01	Bare Ribbon Fiber	Bare Ribbon Boot	13mm
		M	Male	SL	SM Low Loss	08	8F	G	APC Green	02		Bare Ribbon Short Boot	6mm
				MS	MM Standard	12	12F	V	MM OM4 Heather Violet	11	Flat Ribbon Cable	Flat Ribbon Cable Boot	21mm
				ML	MM Low Loss	24	24F	A	MM OM3 Aqua	21	2.0mm Round	2.0mm Boot with Crimp	27mm
								B	MM Black	22		2.0mm Boot without Crimp	23mm
										31	3.0mm Round	3.0mm Boot	23mm
										32		3.0mm Flex Angle Boot	43.9mm
										41	3.6mm Round	3.6mm Boot	16mm
										42		3.6mm Flex Angle Boot	31mm
										46	3.6mm Short Boot	43.9mm	
										51	Other Round	4.5mm Round Boot	31mm
										52		5.0mm Round Boot	31mm
										53		5.5mm Round Boot	31mm

703F - F - MS12 - A31 ORDER CODE example

Note: 1. Custom configurations available upon request.
 2. Please visit Senko.com/mposelect for other combinations.
 3. 3.8mm and 4.0mm boot option available.

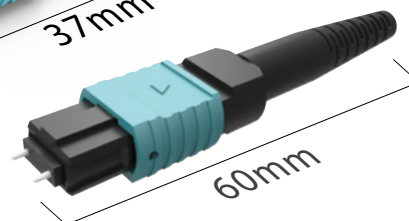


MPO Plus Mini Connector

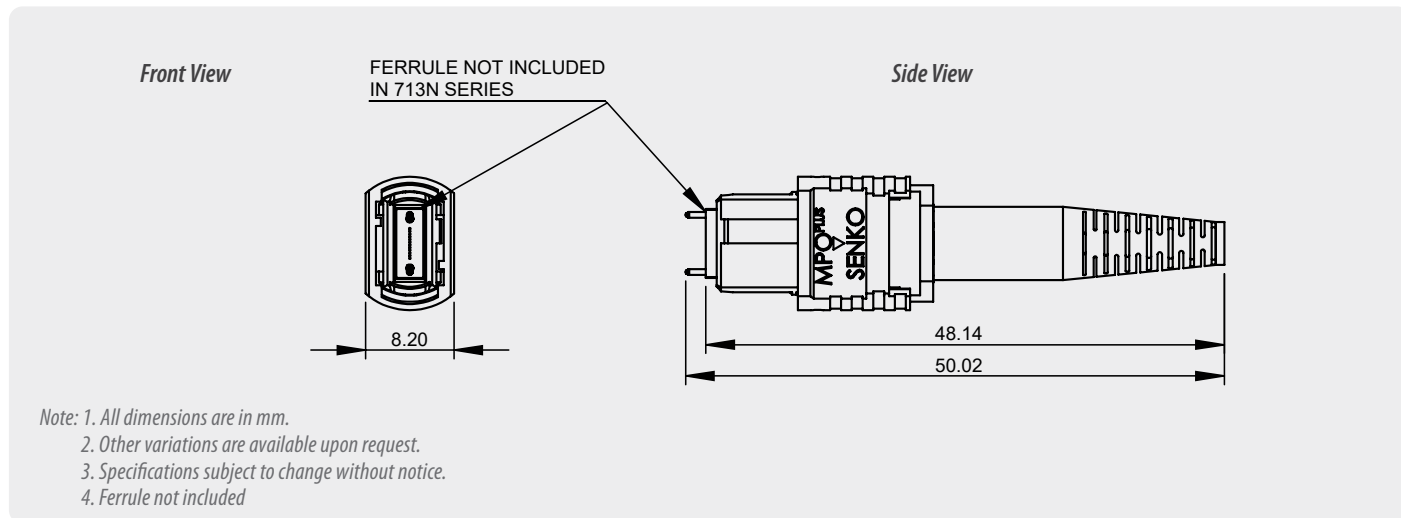
MPO Plus Mini Connector



Conventional MPO Brand Connector



Connector Drawing - 713 Series



ORDERING

CONNECTOR	GENDER/PIN	FERRULE TYPE	FIBER COUNT	HOUSING COLOR	BOOT/CABLE	BOOT LENGTH		
713F MPO-Plus Mini Connector 16F/32F with MT Ferrule	F Female	SS SM Standard	16 16F	Y SM Low Loss Yellow	01 Bare Ribbon Fiber	Bare Ribbon Boot	13mm	
		SL SM Low Loss	32 32F	G APC Green		Bare Ribbon Short Boot	6mm	
	M Male	MS MM Standard	ML MM Low Loss		V MM OM4 Heather Violet	31	3.0mm Boot	27mm
					A MM OM3 Aqua		32	3.0mm Flex Angle Boot
					T MM Beige	33		3.0mm Short Boot
					B MM Black		41	3.6mm Boot
					M MM OM5 Lime Green	42		3.6mm Flex Angle Boot
							46	3.6mm Short Boot
						51		4.5mm Round Boot
							52	5.0mm Round Boot
						53		5.5mm Round Boot

713F - F - MS12 - A31 ORDER CODE example

- Note: 1. Custom configurations available upon request.
 2. Please visit Senko.com/mposelect for other combinations.
 3. 3.8mm and 4.0mm boot option available.

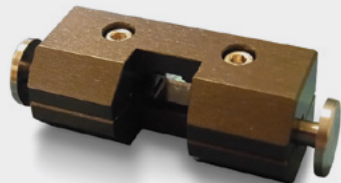


Accessories

MPO-PLUS®

Removal Tool

PN: RMT-603



- Removes Outer housing for gender change and ferrule cleaning

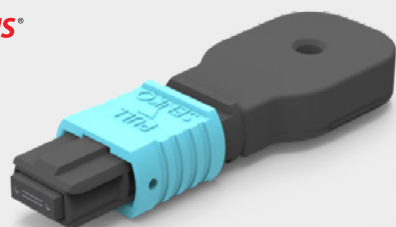
MPO-PLUS®

Ribbon Stripper



MPO-PLUS®

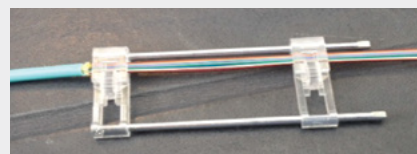
Loopback



MPO-PLUS®

Ribbonizer

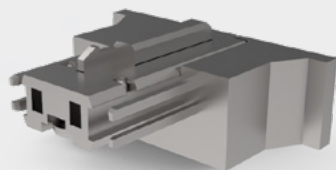
PN: RBN-601



MPO-PLUS®

Polarity Changeable Adapter Extraction Tool

PN: RMT-609



MPO-PLUS®

Quality Master Jumper



Accessories - Cleaning

Smart Cleaner⁺

PN: SCK-SS-MPO (12/24F Center Key Connectors)
PN: SCK-SS-MPO-02 (16/32F Offset Key Connectors)

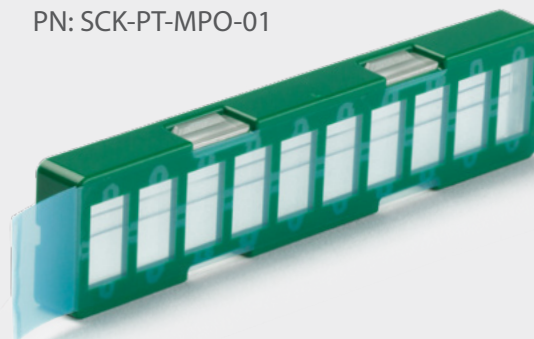


CLEANINGS
600+

MPO-PLUS®

OPTRES Gel Cleaner

PN: SCK-PT-MPO-01



Accessories - Interferometry

SUMIX Manta W+ Inspection Scope

PN: SMX-Manta-W+



- Inspects 12 fiber in 2.6 seconds, 24 fiber in 4.5 seconds
- 0.5µm defect detection
- Inspection tips for MPO, CS, SN, LC available

SUMIX Max QM+ Inspection Scope

PN: MAX-Quantum



- Inspects 12 fiber in 2.6 seconds, 24 fiber in 4.5 seconds
- 0.5µm defect detection

SMX Manta W+ MPO Polarity and Continuity Module

PN: MPO Verifier



- Works for 8, 12, 24, 48 and 16, 32 fiber MPO
- Auto test and analysis

SMX Manta W+ Benchtop Holder

PN: MNT-W-Stand



SENKO[®]

Advanced Components

sales@senko.com
1-858-623-3300

senko.com/contact