

IP-16 SC SERIES Connector Bulkhead Adapter Inline Adapter



The IP-16 Connector series is SENKO's hardened fiber optic connectivity solution for outdoor applications and harsh environments. The light-weight, yet robust plastic housing provides IP68 rating, paired with ergonomic bayonet mechanics for quick and easy installations.

The SC single-fiber connector is a staple in FTTx and telecommunications applications, prized for its durability and straightforward push-pull coupling design. The SENKO IP-16 SC Connector integrates this reliable SC technology with an innovative, patented IP-rated outer housing, facilitating swift and seamless Plug & Play field installations. The IP-16 SC Connector is available in both bulkhead and in-line variants, catering to panel or box mounting and cable-to-cable connections, respectively, thus ensuring versatile implementation options.

FEATURES

- IP68 rated hardened connector
- ODVA standard footprint
- Lightweight, yet rugged plastic body
- Bayonet lock with patented Safe Lock Ring
- UV resistance for outdoor applications
- 100 lbs superior pull force
- Easy and quick termination
- Compatible with 4.5-11.0 mm OD cable

APPLICATIONS

- FTTx, FTTH
- Broadcast
- Military
- Industrial
- Transport
- Renewable energy

KEY BENEFITS

- ✓ **IP68 rated**
- ✓ **100 lbf pull force**
- ✓ **Easy installation bayonet mechanism**

IP-16 SC SERIES

Connector, bulkhead and inline adapter

HARSH ENVIRONMENT SERIES DATA SHEET

Mechanical Data

| | Value |
|-------------------|---------------------|
| Durability | 50 matings |
| Fiber Count | Simplex (1 fiber) |
| Cable Suitability | 4.5 - 11.0 mm round |

Optical Data

| | Singlemode | | | | Multimode |
|------------------------------|------------|----------|----------|----------|-----------|
| | UPC | | APC | | MM |
| | Low Loss | Standard | Low Loss | Standard | Standard |
| Typical Insertion Loss (dB)* | 0.05 | 0.08 | 0.07 | 0.12 | 0.10 |
| Max. Insertion Loss (dB)* | 0.15 | 0.20 | 0.15 | 0.25 | 0.20 |
| Typical Return Loss (dB)* | ≥55 | | ≥65 | | ≥25 |

* Based on master grade jumper to low loss random mating test

Environmental Data

| | Value |
|---------------------------|----------------|
| IP Rating* | IP68 |
| Operating Temperature (C) | -40°C to +75°C |
| UV Resistance | Yes |
| RoHS Compliance | 2015/863 RoHS |
| REACH Compliance | Yes |

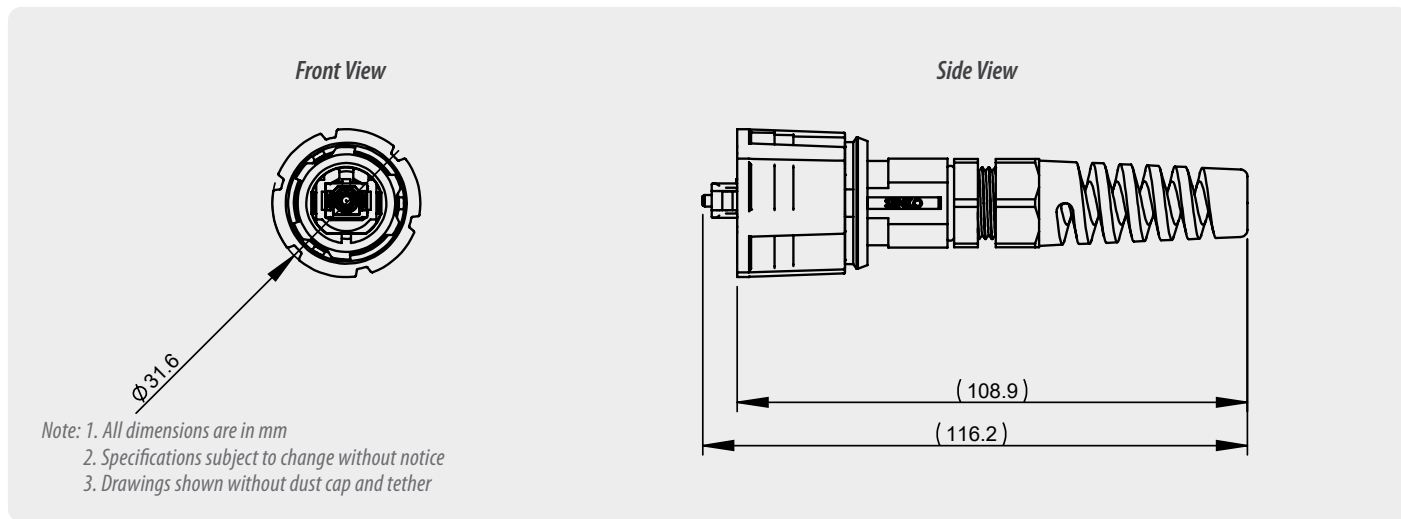
* The IP rating was validated using a SENKO sourced cable and termination procedure. It is recommended to retest IP rating for any other cable types.

IP-16 SC SERIES

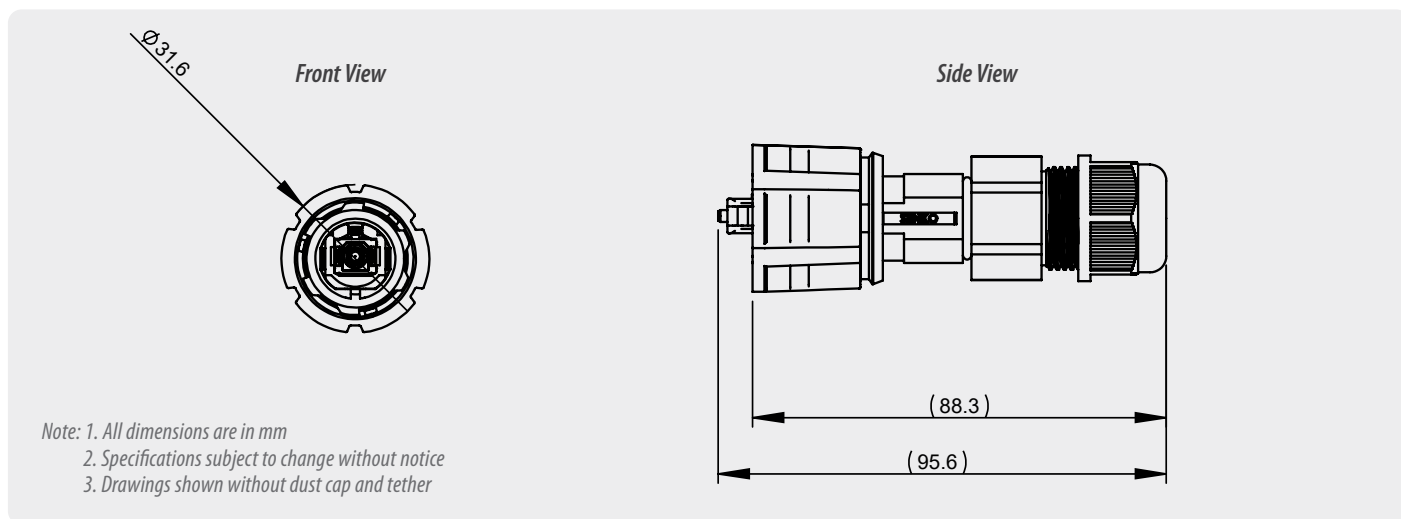
Connector

HARSH ENVIRONMENT SERIES DATA SHEET

Connector Drawing 4.5 - 7.2 mm Cable



Connector Drawing 7.5 - 11 mm Cable



ORDERING



| CONNECTOR TYPE | | PERFORMANCE | | CRIMP SET | | SAFE LOCK RING | | DUST CAP | |
|----------------|--------------------|-------------|--------------|-----------|-----------------|----------------|------|----------|------|
| IP-SC | IP-16 SC Connector | LSM | Blue 125 µm | 4.8 | 4.5 mm - 4.9 mm | 00 | with | D | with |
| | | LAPC | Green 125 µm | 5.x | 5.3 mm - 5.7 mm | | | | |
| | | LMM | Beige 127 µm | 6.0 | 5.8 mm - 6.2 mm | | | | |
| | | | | 7.0 | 6.8 mm - 7.2 mm | | | | |
| | | | | E | 7.5 mm - 11 mm | | | | |

IP-SC - LAPC - 4.8 - 00 - D ORDER CODE example

IP-16 SC SERIES

Bulkhead and inline adapter

HARSH ENVIRONMENT SERIES DATA SHEET

Bulkhead Adapter Drawing

Panel Cut-Out
 Dimensions: $\phi 27.05 \pm 0.1$, 25.88 ± 0.0 , 1.13 ± 0.0 , 2.60 ± 0.0 , $+0.1$, $+0.2$

Front View
 Labels: SC ADAPTER KEY UP, IP ADAPTER KEY DOWN, $\phi 34.0$

Side View
 Dimensions: 2.0 , 11.0 , 35.1 , 45.3

Note: 1. All dimensions are in mm
 2. Specifications subject to change without notice

Inline Adapter Drawing

Panel Cut-Out
 Dimensions: $\phi 27.05 \pm 0.1$, 25.88 ± 0.0 , 1.13 ± 0.0 , 2.60 ± 0.0 , $+0.1$, $+0.2$

Front View
 Labels: SC ADAPTER KEY UP, IP ADAPTER KEY DOWN, $\phi 34.0$

Side View
 Dimensions: 2.0 , 27.1 , $(46.3) \triangle C$

Note: 1. All dimensions are in mm
 2. Specifications subject to change without notice

ORDERING



| CODE | ADAPTER TYPE | SC ADAPTER COLOR | DUST CAP |
|-------|--------------|-------------------|--------------|
| IP-SC | LA Bulkhead | 131 Black Adapter | D With |
| | LAI Inline | | None Without |

IP-SC - LA - 131 - D ORDER CODE example

SENKO[®]

Advanced Components

sales@senko.com
1-858-623-3300

senko.com/contact