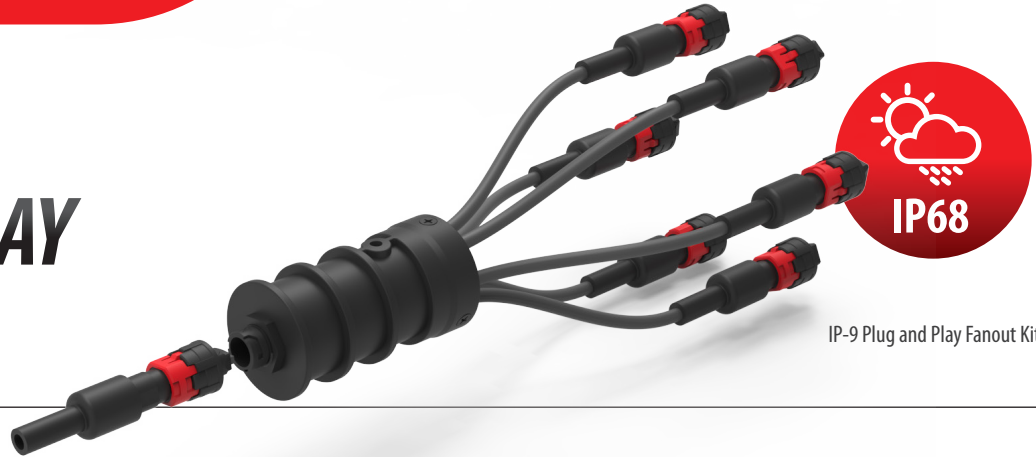




## IP-9 PLUG & PLAY Fanout Kit



IP-9 Plug and Play Fanout Kit

The IP-9 Plug and Play Fanout Kit is SENKO's latest outdoor fiber fan-out solution. It enables using a pre-terminated feeder cable connectorized with SENKO IP-9 MPO connectors, accommodating up to 24 fibers. Simply plug a pre-terminated IP-9 MPO assembly directly into the base of the fanout body for easy pre-installation onsite before the main feeder cables are run. This saves installation time and money. The fanout body is IP68 rated and made of UV-resistant material, making it perfect for harsh environment applications, from FTTH drop terminals to macro cell trunk cable solutions. The small fanout body houses the fiber break out from 12/24 fibers into simplex or duplex legs, replacing traditional fiber distribution boxes or terminal solutions with an extremely small footprint. The factory-terminated fanout assembly guarantees high-quality performance in both optical and mechanical aspects.

### FEATURES

- IP68 rated hardened fanout body
- UV resistance for outdoor applications
- Small footprint assembly for space saving
- Easy and quick installation
- Fanout pre-assembled at the factory
- 12/24F MT base feeder cable
- Various fanout configurations for legs

### APPLICATIONS

- FTTx, FTTH
- Broadcast
- Military
- Industrial
- Transport
- Renewable energy

### KEY BENEFITS

- ✓ **Pre-assembled fanout assembly**
- ✓ **IP68 rated**
- ✓ **Flexible and expandable configuration**

# IP-9 PLUG AND PLAY Fanout kit

## Mechanical Data

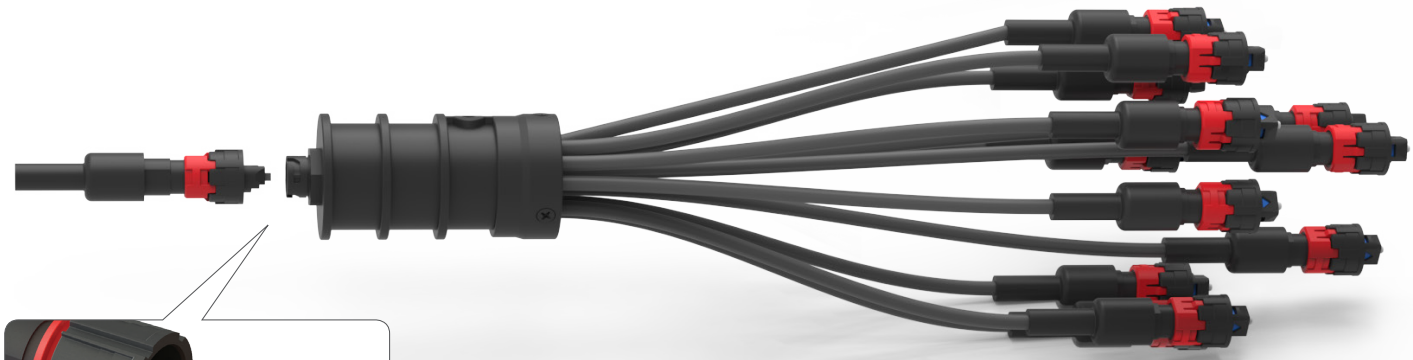
	Value
Pull Force	100 lbf or 450 N (feeder side) 15 lbf or 66 N (fan-out side)
Number of fibers	Up to 24 fiber fan-out
Mounting Method	Hose clip / cable tie

## Environmental Data

	Value
IP Rating*	IP68
Operating Temperature (C)	-40°C to +75°C

\* The IP rating was validated using a SENKO sourced cable and termination procedure. It is recommended to retest IP rating for any other cable types.

### CONFIGURATION EXAMPLES



*Input*

**IP-9 MPO 12F**

*or*

**IP-9 MPO 24F**



**Multi Fiber  
MT Ferrule**



**Single Fiber  
SC**



**Duplex Fiber  
SN**

*Output*

**IP-9 SC 1F x12**

**IP-9 SC 1F x24**

**IP-9 SN 2F x6**

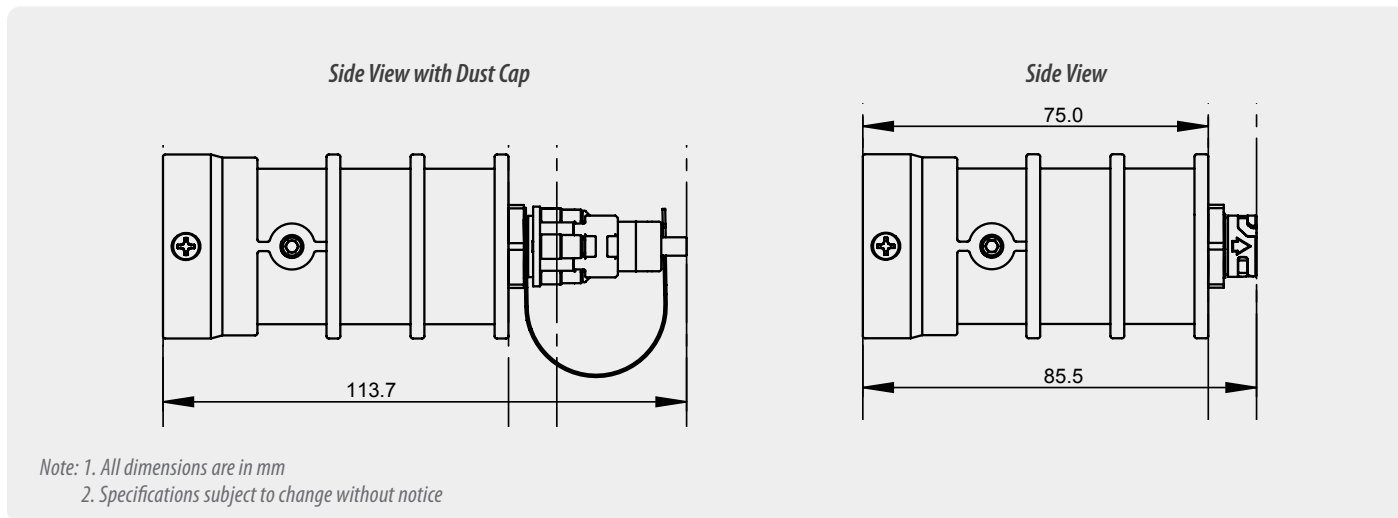
**IP-9 SN 2F x12**

# IP-9 PLUG AND PLAY

## Fanout kit

HARSH ENVIRONMENT SERIES DATA SHEET

### Fanout Body Drawing



### ORDERING



CONNECTOR TYPE		FEEDER CABLE CODE		DRUM	
IP-FO-MP	IP Plug and Play Fanout	IP09	IP-9 MPO Bulkhead Adapter	C	12 X 4.8mm
				D	24 X 3.0mm
				E	6 X 4.8mm

IP-FO-MP - IP09 - X ORDER CODE example

# SENKO<sup>®</sup>

Advanced Components

[sales@senko.com](mailto:sales@senko.com)  
1-858-623-3300

[senko.com/contact](https://senko.com/contact)