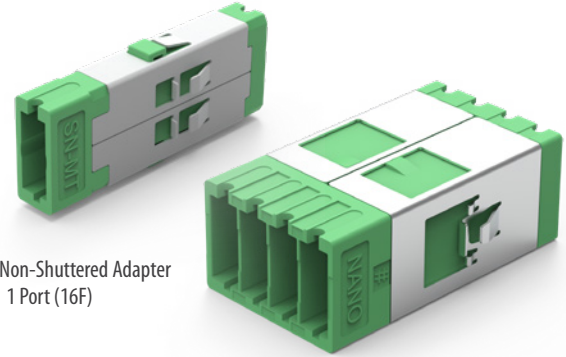


## **SN<sup>®</sup>-MT16 ADAPTER**

### **Non-Shuttered SN Footprint 1 (16F) and 4-Port (64F)**



SN-MT16 Non-Shuttered Adapter  
1 Port (16F)

SN-MT16 Non-Shuttered Adapter  
4 Port (64F)

SENKO's SN<sup>®</sup>-MT16 non-shuttered adapters are available either as a 1-port (16 fibers) or 4-port variant (64 fibers). The single port is designed for applications such as BASE-16 to Base-2 transitions where the adapter is placed at the rear of fiber management cassettes or panels. The 4-port version is designed to maximize port density within high-density patch panels or active equipment. The 4-port adapter has individual walls between each port for clearer separation and improved connector alignment.

Due to its compact size, the SN<sup>®</sup>-MT16, 4-port adapter allows users to achieve the highest possible density within patch panels and optical distribution frames. Up to 3,456 fibers can be presented in a single 1RU (Rack Unit) subject to cable management and connector-access limitations. These adapters can either to be snapped into panel cut-outs or screwed into place using an appropriate bolt and nut. Adapters incorporating an integrated fixing flange will require additional space between each cut-out, and the maximum density per RU will be lower.

#### FEATURES

- Premium one-piece body design
- Up to 3,456 fibers per 1RU (Rack Unit)
- Accepts SN<sup>®</sup>-MT16 standard and Junior connectors
- Individual port separation
- Supports 800G VSFF connectivity
- Telcordia, ANSI, TIA and IEC compliant
- Identification marking for fast and simple connector alignment

#### APPLICATIONS

- High-density patch panels
- Backbone trunks
- Base-16 transition modules
- Spine/Leaf architectures
- High-density cross-connects
- Switch replication
- Opto-electronic equipment

#### KEY BENEFITS

- ✓ **Up to 3,456f per 1RU**
- ✓ **Optimum panel packing density**

**SN<sup>®</sup>-MT16 ADAPTER**

Non-shuttered, SN footprint, 1-port (16F) and 4-port (64F)

SN<sup>®</sup>-MT ADAPTER DATA SHEET**Mechanical Data**

Mechanical Data	Value
Durability	50 matings per GR-1435-Core
Fixing Method	Snap-fit ( <i>adapter without flange</i> ) or screw and nut ( <i>adapter with flange</i> )
Housing Material Type	Plastic
Fixing Spring Material Type	Metal stainless steel
Sleeve Material	Plastic ( <i>alignment achieved with male/female connectors</i> )
Dust Protection Method	Removable dust plugs

**Optical Data**

Optical Data	Value
Typical Insertion Loss (dB)*	0.10
Max. Insertion Loss (dB)*	0.20

\* Based on master grade jumper to low loss random mating test

**Environmental Data**

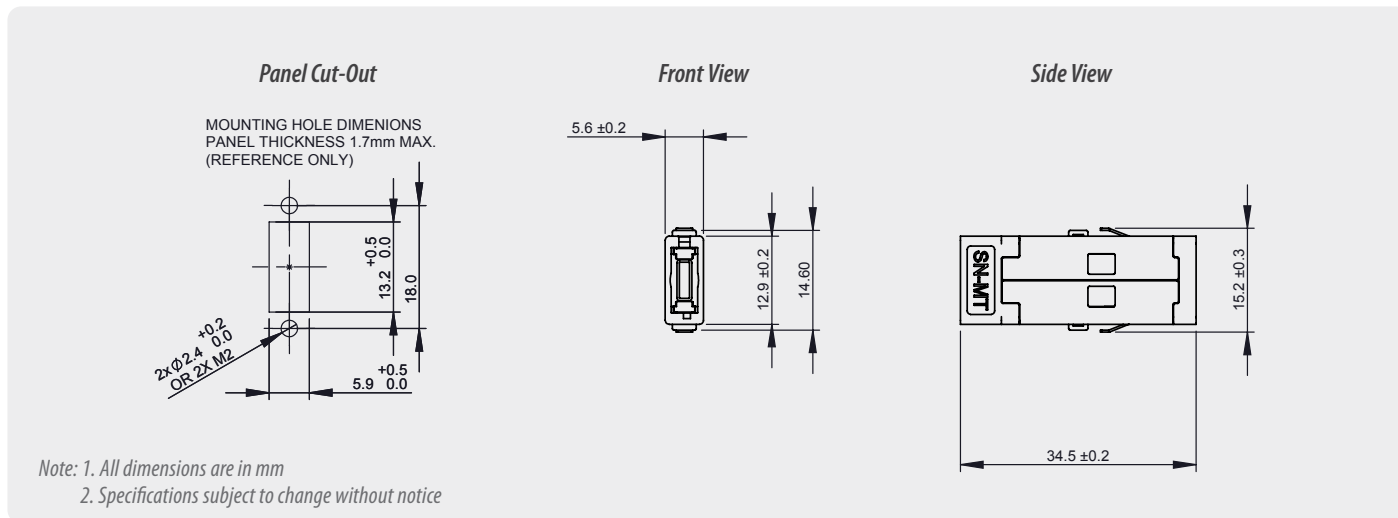
Environmental Data	Value
Operating Temperature	-40°C to +75°C
RoHS Compliance	2015/863 RoHS
REACH Compliance	Yes
Free of Halogen	Yes
Humidity Resistance	95%

# SN-MT16 ADAPTER

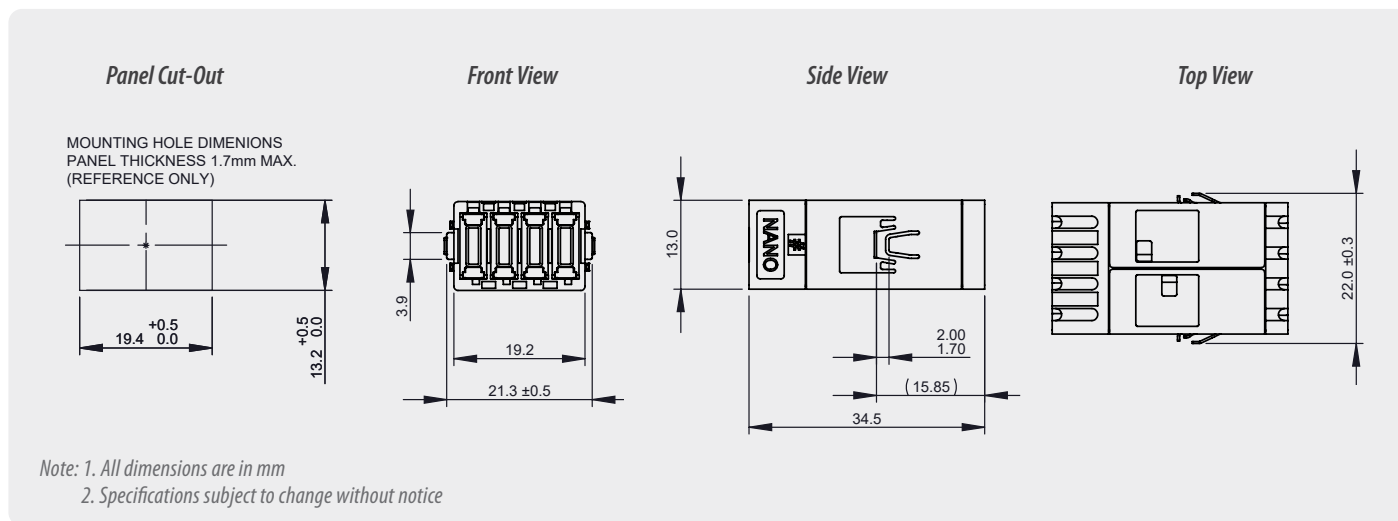
Non-shuttered, SN footprint, 1-port (16F) and 4-port (64F)

SN-MT ADAPTER DATA SHEET

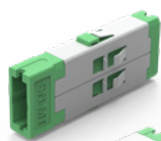
## 1-Channel Adapter Drawing



## 4-Channel Adapter Drawing



### ORDERING



SN-MT16  
 SN-Footprint  
 Adapter  
 1-Port (16F)



SN-MT16  
 SN-Footprint  
 Adapter  
 4-Port (64F)

SN FOOTPRINT TYPE	FLANGE	HOUSING COLOR
<b>651W</b> SN 1-Port (16F) Non-Shuttered Adapter	<b>1</b> With Flange	<b>2</b> Black (Multimode)
<b>654W</b> SN 4-Port (64F) Non-Shuttered Adapter	<b>2</b> Without Flange	<b>3</b> Green (Singlemode)

Note: Adapter supplied with protective dust-cap on both sides



# SENKO<sup>®</sup>

Advanced Components

[sales@senko.com](mailto:sales@senko.com)  
1-858-623-3300

[senko.com/contact](https://senko.com/contact)