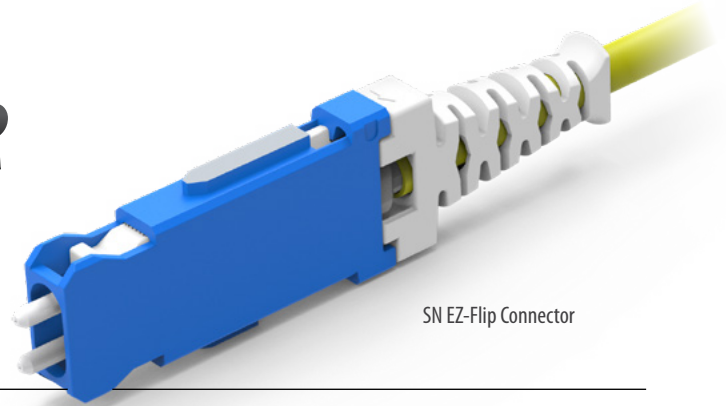


## **SN<sup>®</sup> EZ-FLIP CONNECTOR**

### **1-Channel (2F)**

### **Switchable Polarity**



SN EZ-Flip Connector

The SN<sup>®</sup> connector is the ultimate duplex connector combining 'best-in-class' packing density with carrier-grade performance and reliability. Designed and optimized for next-generation data rates, the SN<sup>®</sup> connector offers network operators the chance to densify their existing legacy infrastructure whilst at the same time providing an upgrade path to 400G and beyond.

The SN<sup>®</sup> EZ-Flip connector is the latest addition to the SN<sup>®</sup> family, allowing technicians to switch polarity in the field without disrupting fibers or repositioning ferrules. Not only can the polarity be changed with UPC ferrules, but APC connectors can also be polarity-flipped thanks to the unique orientation of the angled ferrules.

The SN<sup>®</sup> EZ-Flip connector has an integrated 'push-pull' boot that simplifies insertion and removal of the connector even in high-density patch panels where finger access is limited. A gang-clip can be added to two or four individual SN<sup>®</sup> connectors allowing them to be patched simultaneously to compatible adapters and transceivers.

#### FEATURES

- Meets IEC random mating Grade B
- Very Small Form Factor (VSFF) connector, 3 x fiber cabling density over duplex LC
- Push-pull boot for simple installation and removal
- Optimized for 400G data rates with QSFP-DD, OSFP, and SFP-DD transceivers
- Up to 4 x SN<sup>®</sup> connectors per transceiver
- Direct transceiver breakout in spine/leaf architectures
- Fast and easy polarity reversal of both UPC and APC connectors in the field
- Combines two 1.25 mm ceramic ferrules
- Pre-assembled design for fast assembly

#### APPLICATIONS

- High-density patching and equipment jumpers
- QSFP-DD, OSFP and SFP-DD transceiver links for higher data rates
- Hybrid duplex cable assemblies combining SN<sup>®</sup> and other duplex connector types
- Hyperscale, edge, enterprise, and colocation data centers

#### KEY BENEFITS

- ✓ **Optimized for patching**
- ✓ **Switchable polarity**

## Mechanical Data

	Value
Durability	500 matings per TIA-568
Fiber Count	Duplex (2 fibers)
Cable Suitability	1.6 mm/2.0 mm jacketed
Ferrule Material	Zirconia
Dust Protection Method	Removable dust plugs that encapsulate the ferrules

## Optical Data

	Singlemode				Multimode
	UPC		APC		MM
	SM Premium Low Loss	SM Premium	SM Premium Low Loss	SM Premium	Premium
Typical Insertion Loss (dB)*	0.05	0.08	0.07	0.12	0.05
Max. Insertion Loss (dB)*	0.15	0.20	0.15	0.25	0.15
Typical Return Loss (dB)*	≥55		≥65		≥25
Ferrule Diameter (µm)	125.5				127

\* Based on master grade jumper to low loss random mating test

## Environmental Data

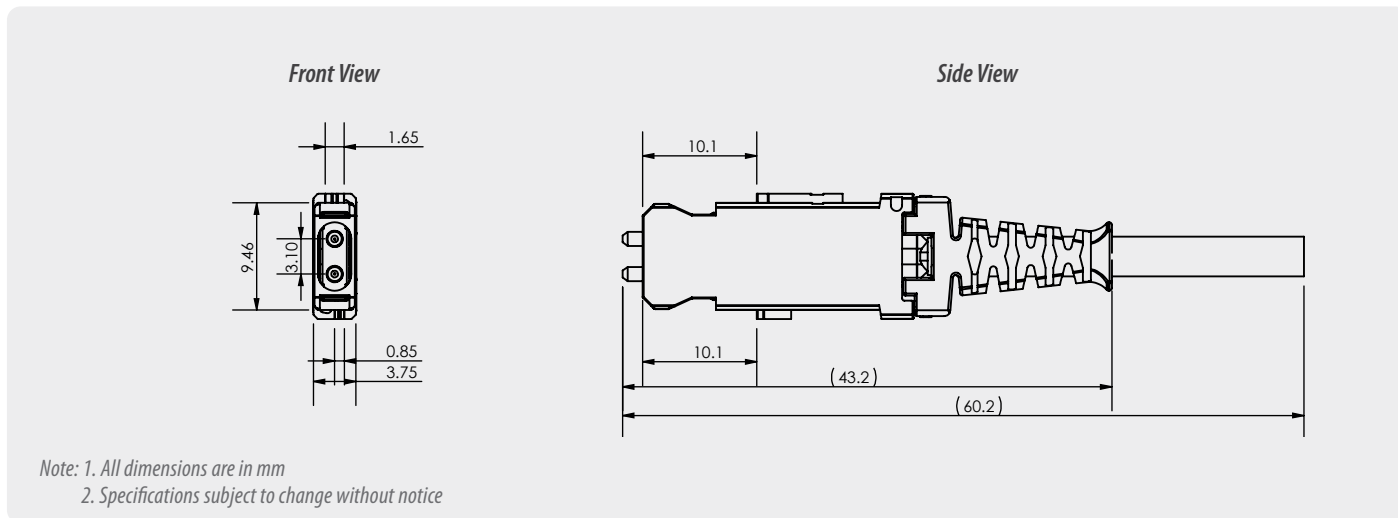
	Value
Operating Temperature	-40°C to +75°C
RoHS Compliance	2015/863 RoHS
REACH Compliance	Yes
Free of Halogen	Yes
Humidity Resistance	95%

# SN® EZ-FLIP CONNECTOR

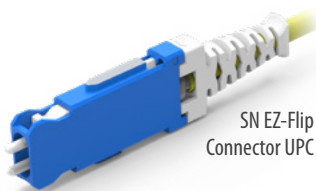
## 1-channel (2F)

SN CONNECTOR DATA SHEET

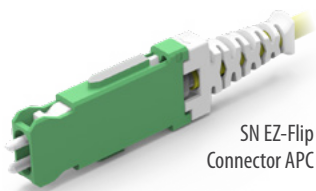
### 1-Channel Connector Drawing



### ORDERING



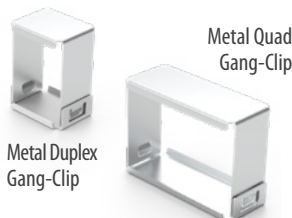
CONNECTOR TYPE	PERFORMANCE	HOUSING COLOR	BOOT TYPE	BOOT COLOR
<b>6A5</b> SN EZ-Flip Connector UPC Preassembled for 2 mm Cable	<b>151</b> SM Premium	<b>1</b> Blue	<b>4</b> 44mm Boot (44T)	<b>1</b> White
<b>6A6</b> SN EZ-Flip Connector UPC Preassembled for 1.6 mm cable	<b>158</b> SM Premium Low Loss	<b>5</b> Aqua		
<b>6B5</b> SN EZ-Flip Connector UPC Unassembled for 2 mm Cable	<b>251</b> MM Premium	<b>6</b> Heather Violet		
<b>6B6</b> SN EZ-Flip Connector UPC Unassembled for 1.6 mm cable				



CONNECTOR TYPE	PERFORMANCE	HOUSING COLOR	BOOT TYPE	BOOT COLOR
<b>6D5</b> SN EZ-Flip Connector APC Unassembled for 2 mm Cable	<b>153</b> APC Premium	<b>3</b> Green	<b>4</b> 44mm Boot (44T)	<b>1</b> White
<b>6D6</b> SN EZ-Flip Connector APC Unassembled for 1.6 mm Cable	<b>158</b> APC Premium Low Loss			

6D5 - 153 - 341 ORDER CODE example

*Note: Connector supplied with protective dust-cap*



PART NUMBER	Description
<b>6A5-CLIP-QD-01</b>	Metal Quad Gang-clip for QSFP-DD and OSFP Transceivers (SN EZ-Flip Connectors Only)
<b>6A5-CLIP-DX-01</b>	Metal Duplex Gang-clip for SFP-DD Transceivers (SN EZ-Flip Connectors Only)



PART NUMBER	Description
<b>6A5-CLIP-QD-02</b>	Plastic Quad Gang-clip for Shuttered Adapters or Adapters with Walls Between Each Port

6A5-CLIP-QD-02 ORDER CODE example

*Note: Works with all SN EZ-Flip configurations*

# SENKO<sup>®</sup>

Advanced Components

[sales@senko.com](mailto:sales@senko.com)  
1-858-623-3300

[senko.com/contact](https://senko.com/contact)