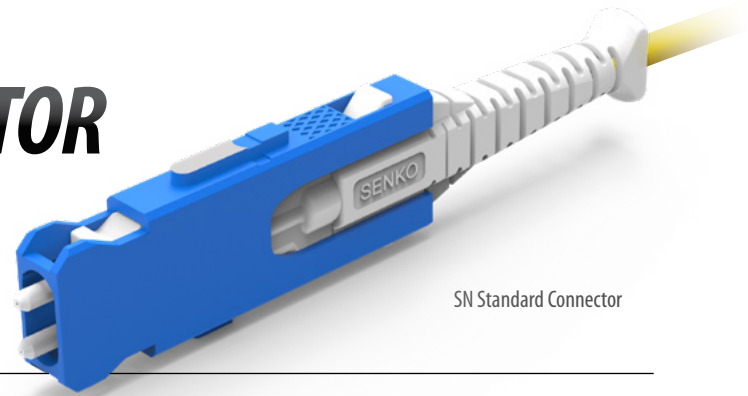


## **SN**<sup>®</sup> **STANDARD CONNECTOR**

**1-Channel (2F)**

**1.6 mm and 2.0 mm Cable**



SN Standard Connector

The SN<sup>®</sup> connector is the ultimate Base-2 connector combining 'best-in-class' packing density with carrier-grade performance and reliability. Designed and optimized for next-generation data rates, the SN<sup>®</sup> connector offers network operators the chance to densify their existing legacy infrastructure whilst at the same time providing an upgrade path to 400G and beyond.

The SN<sup>®</sup> Standard connector is suitable for termination to either 1.6 mm or 2.0 mm round cable that incorporates a ruggedized jacket and internal strain relief.

The SN<sup>®</sup> Standard connector has an integrated 'push-pull' boot that simplifies insertion and removal of the connector even in dense patch panels where finger access is limited. A gang-clip can be added to four individual SN<sup>®</sup> connectors allowing them to be patched simultaneously to either adapters or 4-channel (8 fibers) transceivers (subject to product selection).

### FEATURES

- Meets IEC random mating Grade B
- Very Small Form Factor (VSFF) connector, 3 x fiber cabling density over Duplex LC
- Unique push-pull boot for simple installation and removal
- Optimized for 400G data rates with QSFP-DD, OSFP and SFP-DD transceivers
- Up to 4 x SN connectors per transceiver
- Direct transceiver breakout in spine/leaf architectures
- Combines two 1.25 mm ceramic ferrules
- Easy identification of the connector alignment key

### APPLICATIONS

- High-density patching
- QSFP-DD, OSFP and SFP-DD transceiver links for higher data rates
- Hybrid Base-2 cable assemblies combining SN and other duplex connector types
- Hyperscale, edge, enterprise and colocation data centers

### KEY BENEFITS

- ✓ **Optimized for patching**

## Mechanical Data

	Value
Durability	500 matings per TIA-568
Fiber Count	Duplex (2 fibers)
Cable Suitability	1.6 mm/2.0 mm jacketed
Ferrule Material	Zirconia
Dust Protection Method	Removable dust plugs that encapsulate the ferrules

## Optical Data

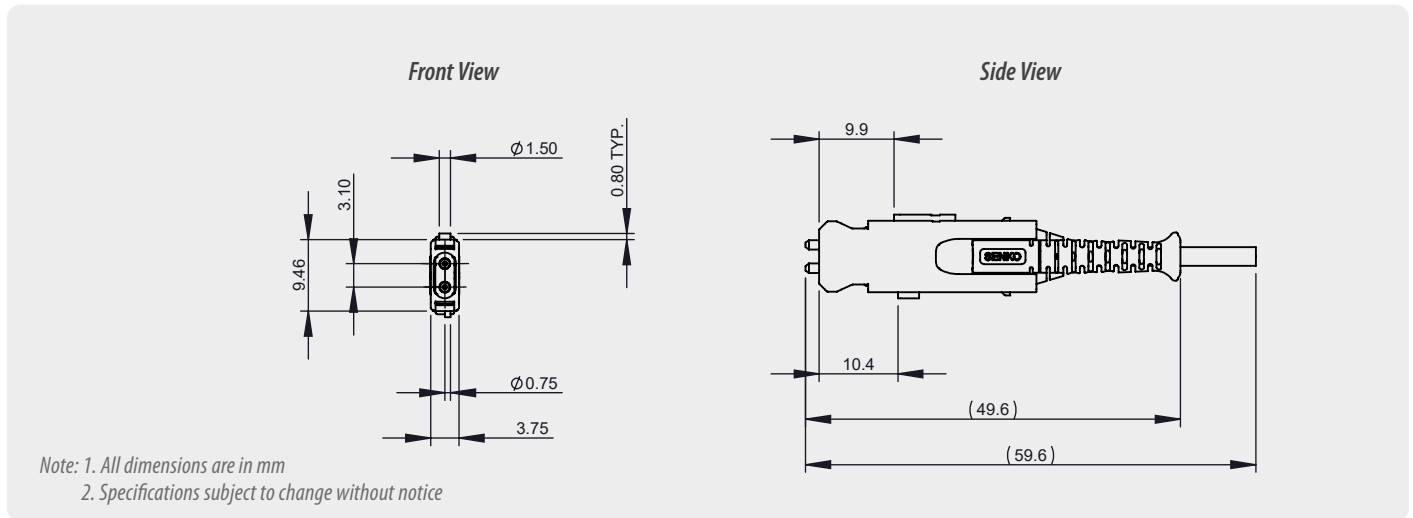
	Singlemode				Multimode
	UPC		APC		MM
	SM Premium Low Loss	SM Premium	SM Premium Low Loss	SM Premium	Premium
Typical Insertion Loss (dB)*	0.05	0.08	0.07	0.12	0.05
Max. Insertion Loss (dB)*	0.15	0.20	0.15	0.25	0.15
Typical Return Loss (dB)*	≥55		≥65		≥25
Ferrule Diameter (µm)	125.5				127

\* Based on master grade jumper to low loss random mating test

## Environmental Data

	Value
Operating Temperature	-40°C to +75°C
RoHS Compliance	2015/863 RoHS
REACH Compliance	Yes
Free of Halogen	Yes
Humidity Resistance	95%

### 1-Channel Connector Drawing



### ORDERING



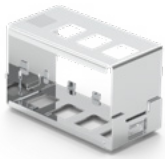
CONNECTOR TYPE	PERFORMANCE	HOUSING COLOR	BOOT TYPE	BOOT COLOR
<b>602</b> SN Connector UPC Unassembled for 1.6 mm Cable	<b>151</b> SM Premium	<b>1</b> Blue	<b>1</b> 50 mm Boot (50T)	<b>1</b> White
<b>604</b> SN Connector UPC Unassembled for 2 mm Cable	<b>158</b> SM Premium Low Loss	<b>5</b> Aqua	<b>B</b> Flex-Angled Boot (57T)	
	<b>251</b> MM Premium	<b>6</b> Heather Violet	<b>C</b> Flex-Angled Boot (63T)	
			<b>D</b> Flex-Angled Boot (71T)	



CONNECTOR TYPE	PERFORMANCE	HOUSING COLOR	BOOT TYPE	BOOT COLOR
<b>612</b> SN Connector APC Unassembled for 1.6 mm Cable	<b>153</b> APC Premium	<b>3</b> Green	<b>1</b> 50 mm Boot (50T)	<b>1</b> White
<b>614</b> SN Connector APC Unassembled for 2 mm Cable	<b>158</b> APC Premium Low Loss		<b>B</b> Flex-Angled Boot (57T)	
			<b>C</b> Flex-Angled Boot (63T)	
			<b>D</b> Flex-Angled Boot (71T)	

612 - 153 - 311 ORDER CODE example

Note: Connector supplied with protective dust-cap



PART NUMBER	DESCRIPTION
<b>602-CLIP-QD-01</b>	Metal Quad Gang-clip for QSFP-DD Transceivers
<b>602-CLIP-DX-01</b>	Metal Duplex Gang-clip for SFP-DD Transceivers



PART NUMBER	DESCRIPTION
<b>602-CLIP-QD-02</b>	Plastic Quad Gang-clip for Shuttered Adapters or Adapters with Walls Between Each Port

602-CLIP-QD-02 ORDER CODE example

# SENKO<sup>®</sup>

Advanced Components

[sales@senko.com](mailto:sales@senko.com)  
1-858-623-3300

[senko.com/contact](https://senko.com/contact)