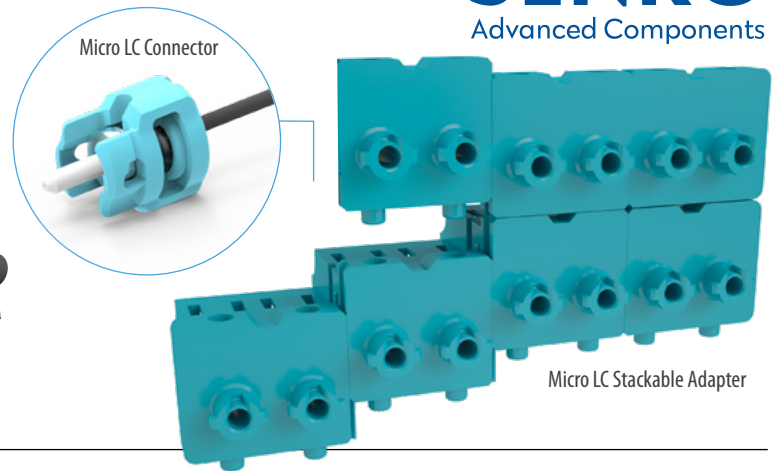


Micro LC **STACKABLE ADAPTER** **96B Series**



SENKO's Micro LC Stackable adapters are a revolutionary solution designed for high-density applications, particularly in Behind the Wall (BTW) scenarios. These adapters facilitate the mating of a standard LC connector with the Micro LC connector, which is essential for BTW applications. The stacking feature of these adapters is a standout, allowing for various width and height combinations to accommodate different installation needs. The adapters come with a laser shutter option for added safety, preventing accidental exposure to laser beams. The bayonet latching mechanism for the Micro LC ensures a secure and quick connection, which is crucial in environments where time and reliability are of the essence. The hybrid connection capability to standard LC connectors provides the flexibility needed for diverse network requirements. Moreover, the modular design of SENKO's Micro LC Stackable adapters opens up possibilities for custom applications, allowing for tailored solutions that meet specific customer needs. This adaptability, combined with the high-density design, makes SENKO's adapters an ideal choice for modern fiber optic networks looking for efficient and versatile connectivity options.

FEATURES

- High density solution
- Automatic shutter operations (*optional*)
- Bayonet latching mechanism (*micro LC*)
- Modular stackable design
- Hybrid connection - LC to micro LC connector

APPLICATIONS

- Telecommunications
- Data centers
- Local area networks (LANs)
- Enterprise networks

KEY BENEFITS

- ✓ **Eye safe optional shutter**
- ✓ **Configurable, modular design**
- ✓ **Space saving design**

Mechanical Data

	Value
Durability	200 matings
Fixing Method	Slotted, stackable
Housing Material	Plastic
Alignment Sleeve Material	Zirconia
Fiber Count	Duplex (2 channel)
Dust Shutter Mechanism	Non contact inner shutter

Optical Data

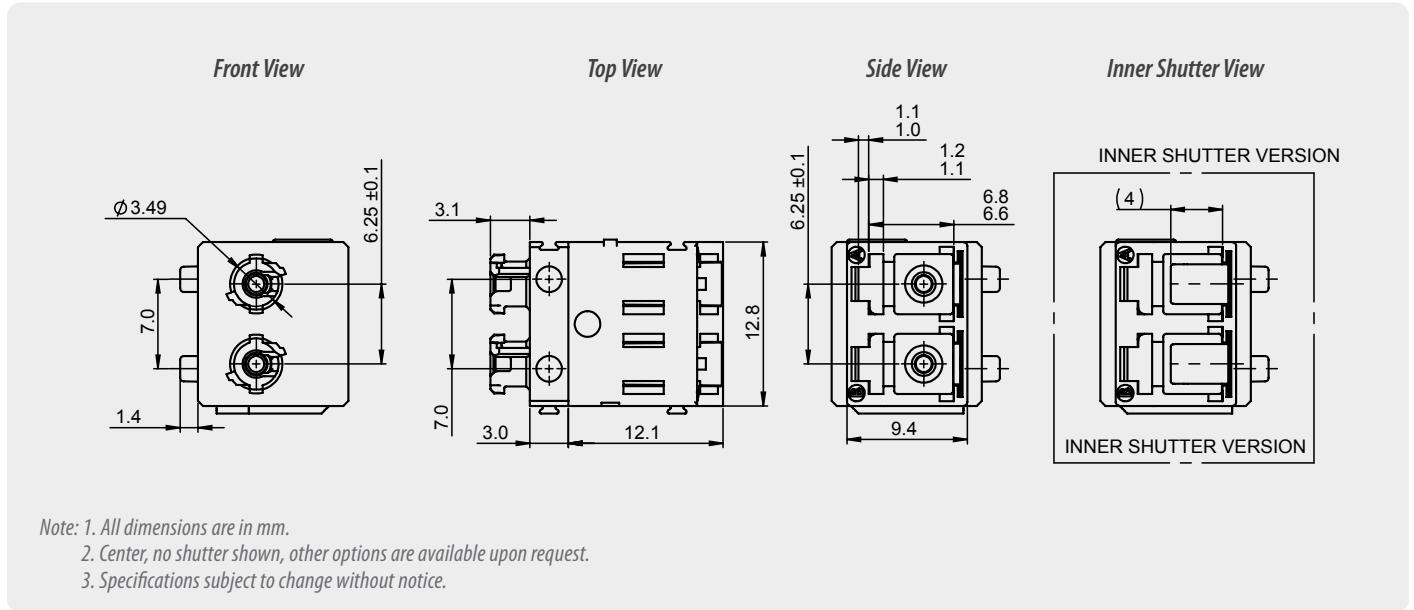
	Value
Typical Insertion Loss (dB)*	0.10
Max. Insertion Loss (dB)	0.20

* Based on master grade jumper to low loss random mating test

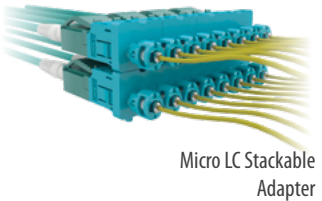
Environmental Data

	Value
Operating Temperature	-40°C to +75°C
RoHS Compliance	Yes
REACH Compliance	Yes
Humidity Resistance	95%

Adapter Drawing



ORDERING



CONNECTOR TYPE	HOUSING COLOR	STYLE	POSITION	SHUTTER	
96B-P Duplex	1 Blue	1 Vertical Stackable	CO Center Adapter Duplex	N No Shutter	
	2 Black	4 Not Vertical Stackable	L1 Left Adapter Duplex Flange	A Inner Shutter	
	3 APC Green	7 Top Flat, Bottom Vertical Stackable	LO Left Adapter Duplex No Flange		
	8 Beige	8 Bottom Flat, Top Vertical Stackable	R1 Right Adapter Duplex Flange		
	9 Aqua	9 Top and Bottom Flat, Not Stackable	RO Right Adapter Duplex No Flange		

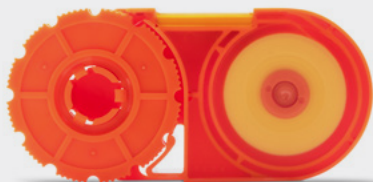
96B-P - 14 - CON ORDER CODE example

Accessories - Production/Cleaning

Smart Cleaner™

Cassette

PN: SCK-CC-100



Smart Cleaner™

1.25 mm Clicker

PN: SCK-SS-CS

Refill PN: SCK-SS-CS-R



Smart Cleaner™

Mini 1.25 mm Clicker

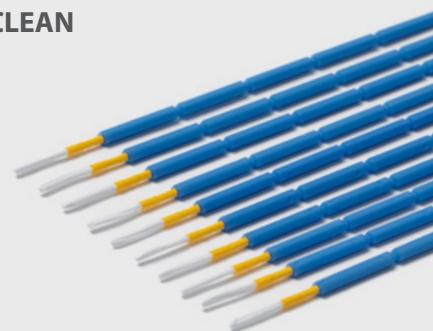
PN: SCK-SS-M-C125

Refill PN: SCK-SS-CS-R



1.25 mm NEOCLEAN Cleaning Stick

PN: CSK-01



Accessories - Interferometry

SUMIX Manta W+ Inspection Scope

PN: SMX-Manta-W+



- Inspects 12 fiber in 2.6 seconds, 24 fiber in 4.5 seconds
- 0.5µm defect detection
- Inspection tips for MPO, CS, SN, LC available

SUMIX Max QM+ Inspection Scope

PN: MAX-Quantum



- Inspects 12 fiber in 2.6 seconds, 24 fiber in 4.5 seconds
- 0.5µm defect detection

SENKO[®]

Advanced Components

sales@senko.com
1-858-623-3300

senko.com/contact