

## IP-16 LC SERIES Connector Bulkhead Adapter Inline Adapter



The IP-16 Connector series is SENKO's hardened fiber optic connectivity solution for outdoor applications and harsh environments. The light-weight, yet robust plastic housing provides IP68 rating, paired with ergonomic bayonet mechanics for quick and easy installations.

With its duplex LC structure, the IP-16 LC Connector serves for a variety of fiber network deployment that requires a pair of fibers for Tx and Rx signals. It incorporates Senko's reputable Premium quality LC connector for consistent, high-quality optical performance. The IP-16 LC adapter offers both the bulkhead type and the in-line type for flexible deployment configurations.

### FEATURES

- IP68 rated hardened connector
- ODVA standard footprint
- Lightweight, yet rugged plastic body
- Bayonet lock with patented Safe Lock Ring
- UV resistance for outdoor applications
- 100lbs superior pull force
- Easy and quick termination
- Compatible with 4.5-11.0mm OD cable

### APPLICATIONS

- FTTx, FTTH
- Broadcast
- Military
- Industrial
- Transport
- Renewable energy

### KEY BENEFITS

- ✓ **IP68 rated**
- ✓ **100lbf pull force**
- ✓ **Easy installation bayonet mechanism**

### Mechanical Data

	Value
Durability	50 matings
Fiber Count	Duplex (2 fibers)
Cable Suitability	4.5 - 11.0 mm round

### Optical Data

	Singlemode				Multimode
	UPC		APC		MM
	Low Loss	Standard	Low Loss	Standard	Standard
Typical Insertion Loss (dB)*	0.05	0.08	0.07	0.12	0.10
Max. Insertion Loss (dB)*	0.15	0.20	0.15	0.25	0.20
Typical Return Loss (dB)*	≥55		≥65		≥25

\* Based on master grade jumper to low loss random mating test

### Environmental Data

	Value
IP Rating*	IP68
Operating Temperature (C)	-40°C to +75°C
UV Resistance	Yes
RoHS Compliance	2015/863 RoHS
REACH Compliance	Yes

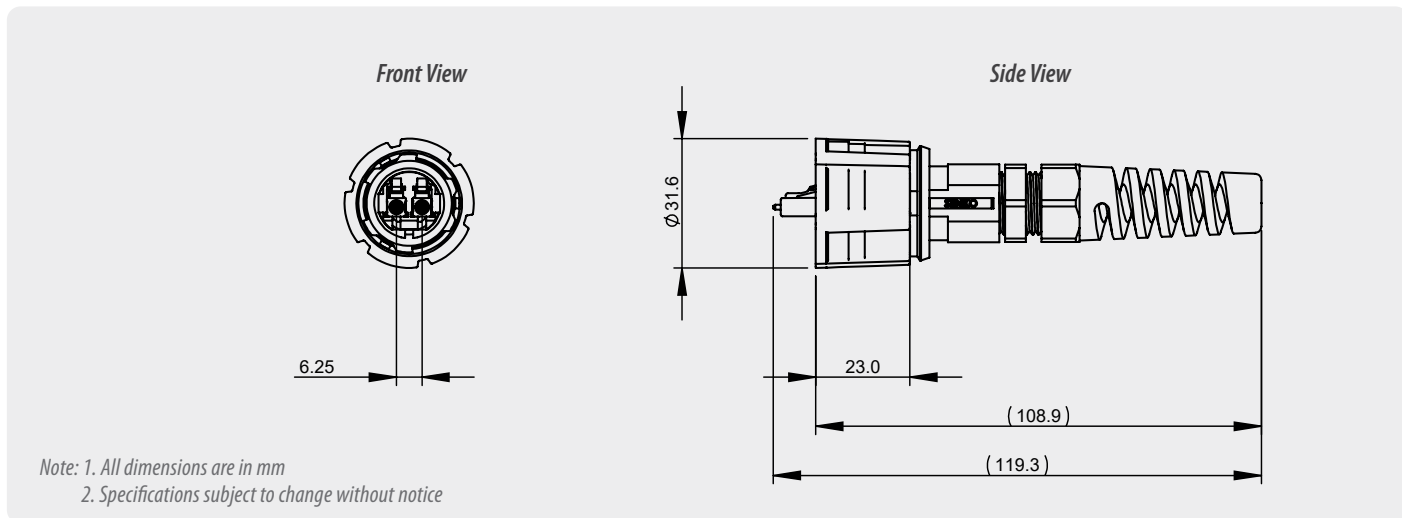
\* The IP rating was validated using a SENKO sourced cable and termination procedure. It is recommended to retest IP rating for any other cable types.

# IP-16 LC SERIES

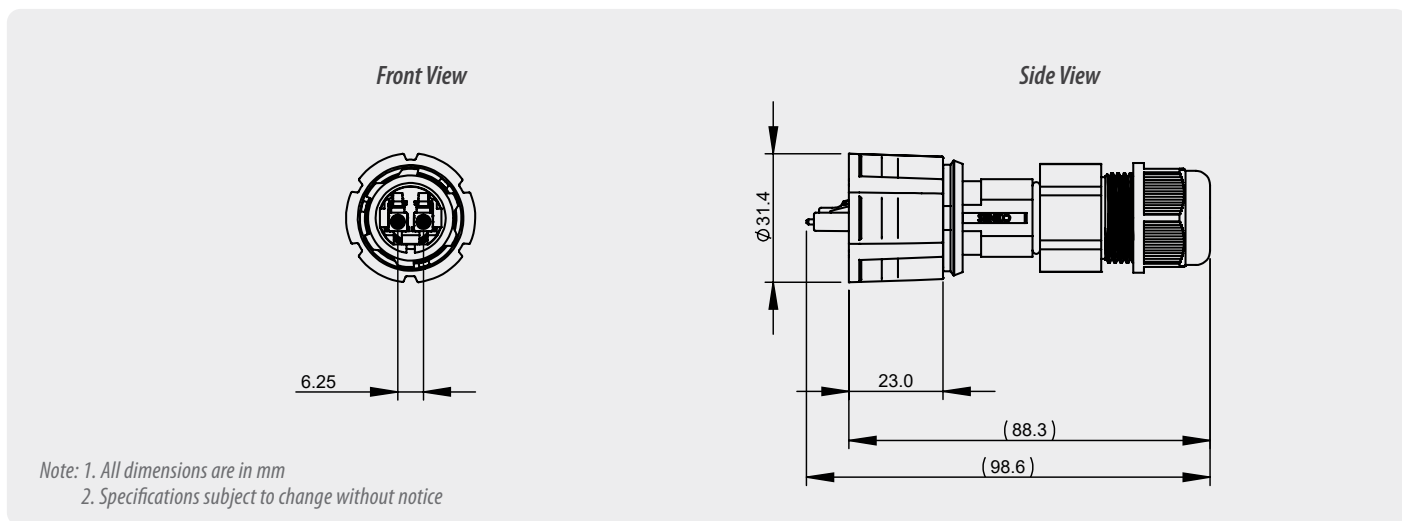
## Connector

HARSH ENVIRONMENT SERIES DATA SHEET

### Connector Drawing 4.5 - 7.2 mm Type



### Connector Drawing 7.5 - 11 mm Type



#### ORDERING



IP-16 LC Connector  
4.5 - 7.2 mm SM UPC



IP-16 LC Connector  
7.5 - 11 mm SM UPC

CONNECTOR TYPE		PERFORMANCE		CRIMP SET		SAFE LOCK RING		DUST CAP	
IP-LC	IP-16 LC Connector	LSM	Blue 125 μm	4.8	4.5 mm - 4.9 mm	00	with	D	with
		LAPC	Green 125 μm	5.x	5.3 mm - 5.7 mm				
		LMM10G	Aqua 127 μm	6.0	5.8 mm - 6.2 mm				
				7.0	6.8 mm - 7.2 mm				
				E	7.5 mm - 11 mm				

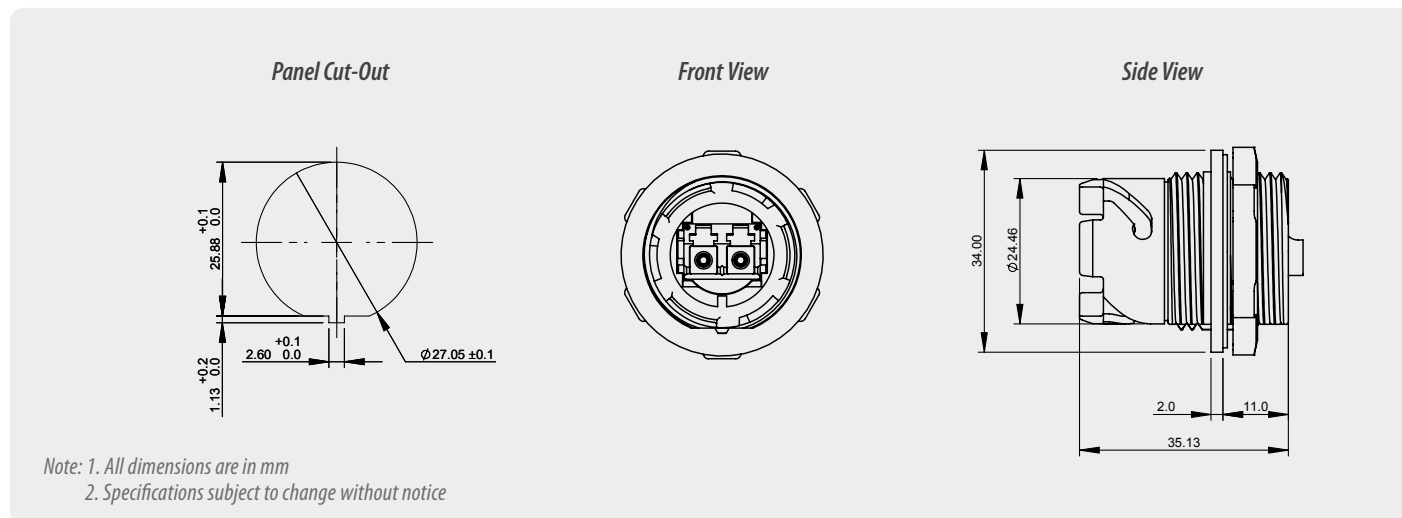
IP-LC - LSM - 7.0 - 00 - D ORDER CODE example

# IP-16 LC SERIES

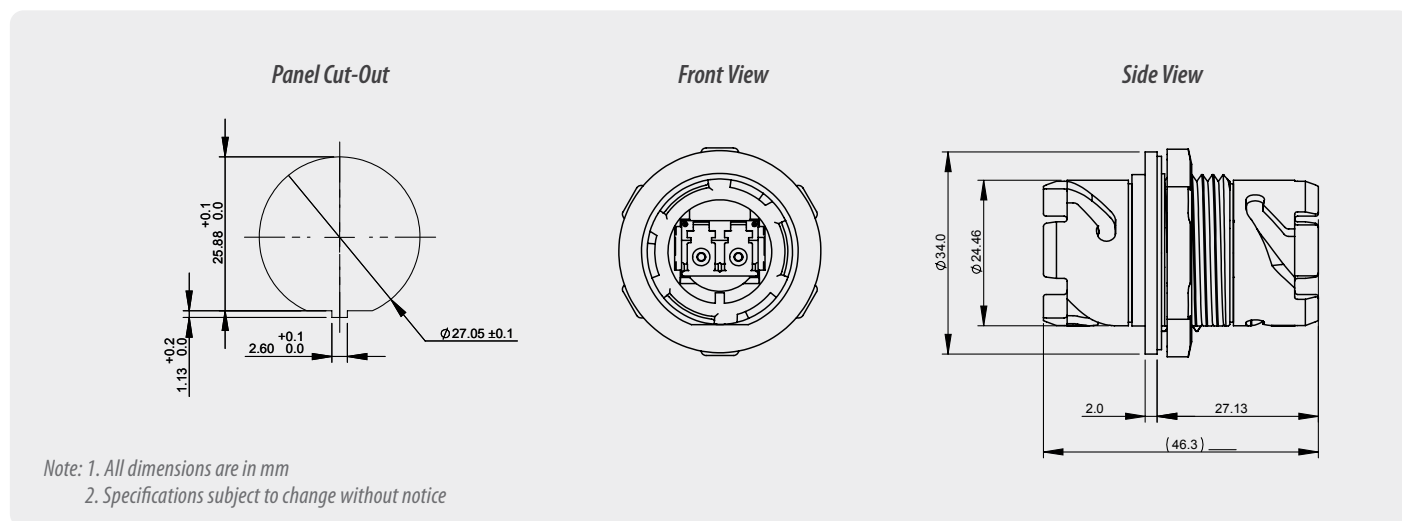
## Bulkhead adapter

HARSH ENVIRONMENT SERIES DATA SHEET

### Bulkhead Adapter Drawing



### Inline Adapter Drawing



### ORDERING



IP-16  
LC Bulkhead Adapter



IP-16  
LC Inline Adapter

CODE	ADAPTER TYPE		LC ADAPTER COLOR		DUST CAPS	
	LA	Bulkhead	4S11	SM Blue	D	With
	LAI	Inline	4S31	APC Green	None	Without
			4S91	MM Aqua		

IP-LC-LA4S11-D ORDER CODE example

# SENKO<sup>®</sup>

Advanced Components

[sales@senko.com](mailto:sales@senko.com)  
1-858-623-3300

[senko.com/contact](https://senko.com/contact)