

IP-SOLID **SC BULKHEAD** **ADAPTER**



IP-Solid
SC Bulkhead Adapter

The IP-Solid SC Series is a robust fiber optic interconnect solution designed for deployment in challenging environments that may include harsh temperatures, moisture, dust, and more. The IP-Solid SC Bulkhead Adapter is optimized for FTTH deployment with its IP68 rated light-weight plastic body.

The IP-Solid SC Bulkhead Adapter has the HFOA interface that accepts IP-Solid SC Male connector or most HFOC (Hardened Fiber Optic Connector). It perfectly works for panel mount application including boxes, terminals and closures.

FEATURES

- IP68 rated bulkhead adapter
- Plastic robust body
- UV resistance for outdoor applications
- Intermateable with HFOC style connectivity

APPLICATIONS

- FTTH
- Multiport terminals
- Splice closures

KEY BENEFITS

- ✓ **Optimized for FTTH applications**
- ✓ **IP68 rated robust body**

Mechanical Data

| | Value |
|------------|------------------|
| Durability | 50 matings |
| Port Count | 1 port (1 fiber) |

Optical Data

| | Value |
|------------------------------|-------|
| Typical Insertion Loss (dB)* | 0.10 |
| Max. Insertion Loss (dB)* | 0.20 |

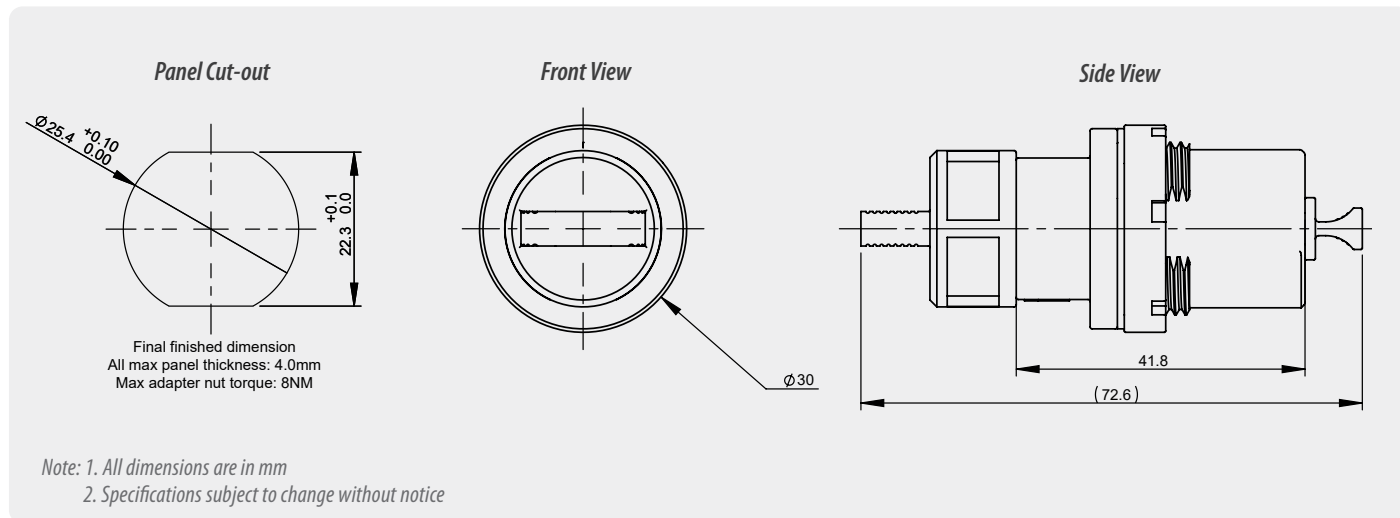
* Based on master grade jumper to low loss random mating test

Environmental Data

| | Value |
|---------------------------|----------------|
| IP Rating* | IP68 |
| Operating Temperature (C) | -40°C to +75°C |
| UV Resistance | Yes |
| RoHS Compliance | 2015/863 RoHS |
| REACH Compliance | Yes |

* The IP rating was validated using a SENKO sourced cable and termination procedure. It is recommended to retest IP rating for any other cable types.

Adapter Drawing



ORDERING



IP-Solid SC Bulkhead Adapter

| CODE | ADAPTER TYPE | TYPE | PORT | LOCK RING | IP DUST CAP |
|------|----------------------|---------------|----------|------------------------------|-----------------|
| IPSD | AB1 Bulkhead Adapter | SC SC Adapter | 1 1 Port | 00 with Lock Ring and Gasket | D With Dust Cap |

IPSDAB1 - SC100 - D ORDER CODE example



IP-Solid Bulkhead Adapter Panel Nut Tool

| CODE | DESCRIPTION |
|-------------|--|
| AST-IPSD-02 | IP-Solid Bulkhead Adapter Panel Nut Tool |

AST-IPSD-02 ORDER CODE example

SENKO[®]

Advanced Components

sales@senko.com
1-858-623-3300

senko.com/contact