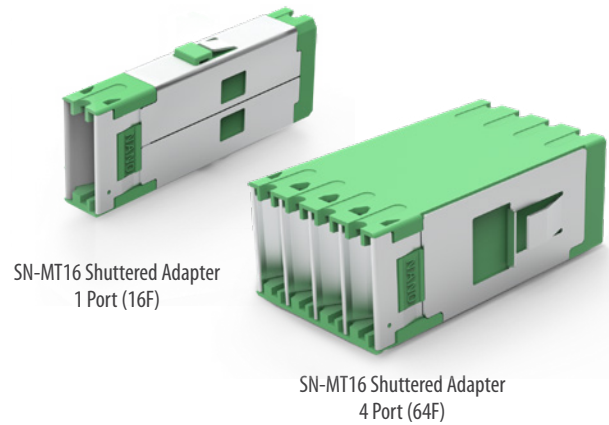


SN[®]-MT16 ADAPTER

Shuttered SN Footprint 1 (16F) and 4-Port (64F)



SENKO's SN[®]-MT16 shuttered adapters are available either as a 1-port (16 fibers) or 4-port variant (64 fibers). The single port is designed for applications such as BASE-16 to Base-2 transitions, where the adapter is placed at the rear of fiber management cassettes or panels. The 4-port version is designed to maximize port density within high-density patch panels or active equipment.

Due to its compact size, the SN[®]-MT16, 4-port adapter allows users to achieve the highest possible density within patch panels and optical distribution frames. Up to 3,456 fibers can be presented in a single 1RU (Rack Unit) subject to cable management and connector-access limitations. These adapters feature integrated shutters on each port that reduces the impact of dirt and dust ingress and offers a degree of laser protection for the user. When the connector is inserted into the adapter, the body of the connector (not the ferrule) pushes the shutter open so that the ferrules can be guided into the adapter. Shuttered SN[®]-MT16 adapters can either be snapped into panel cut-outs or screwed into place using an appropriate bolt and nut (with flange type). Adapters incorporating an integrated fixing flange will require additional space between each cut-out, and the maximum density per RU may be reduced.

FEATURES

- Premium one-piece body design
- Up to 3,456 fibers per 1RU (Rack Unit)
- Accepts SN[®]-MT16 standard and junior connectors
- Integrated port shutters
- Supports 800G VSFF connectivity
- Telcordia, ANSI, TIA and IEC compliant
- Identification marking for fast and simple connector alignment

APPLICATIONS

- High-density patch panels
- Backbone trunks
- Base-16 transition modules
- Spine/leaf architectures
- High-density cross-connects
- Switch replication
- Opto-electronic equipment

KEY BENEFITS

- ✓ **Up to 3,456f per 1RU**
- ✓ **Optimum panel packing density**

SN[®]-MT16 ADAPTER

Shuttered, SN footprint, 1-port (16F) and 4-port (64F)

SN[®]-MT ADAPTER DATA SHEET**Mechanical Data**

Mechanical Data	Value
Durability	50 matings per GR-1435-Core
Fixing Method	Snap-fit (<i>adapter without flange</i>) or screw and nut (<i>adapter with flange</i>)
Housing Material Type	Plastic
Fixing Spring Material Type	Metal stainless steel
Sleeve Material	Plastic (<i>alignment achieved with male/female connectors</i>)
Dust Protection Method	Integrated shutter

Optical Data

Optical Data	Value
Typical Insertion Loss (dB)*	0.10
Max. Insertion Loss (dB)*	0.20

* Based on master grade jumper to low loss random mating test

Environmental Data

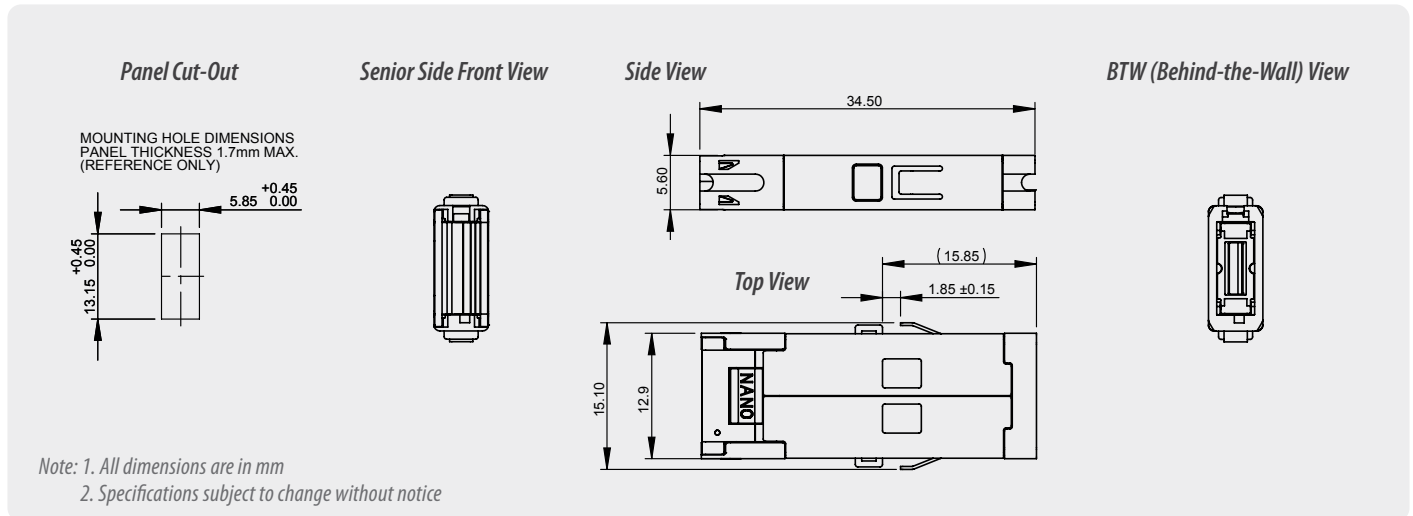
Environmental Data	Value
Operating Temperature	-40°C to +75°C
RoHS Compliance	2015/863 RoHS
REACH Compliance	Yes
Free of Halogen	Yes
Humidity Resistance	95%

SN-MT16 ADAPTER

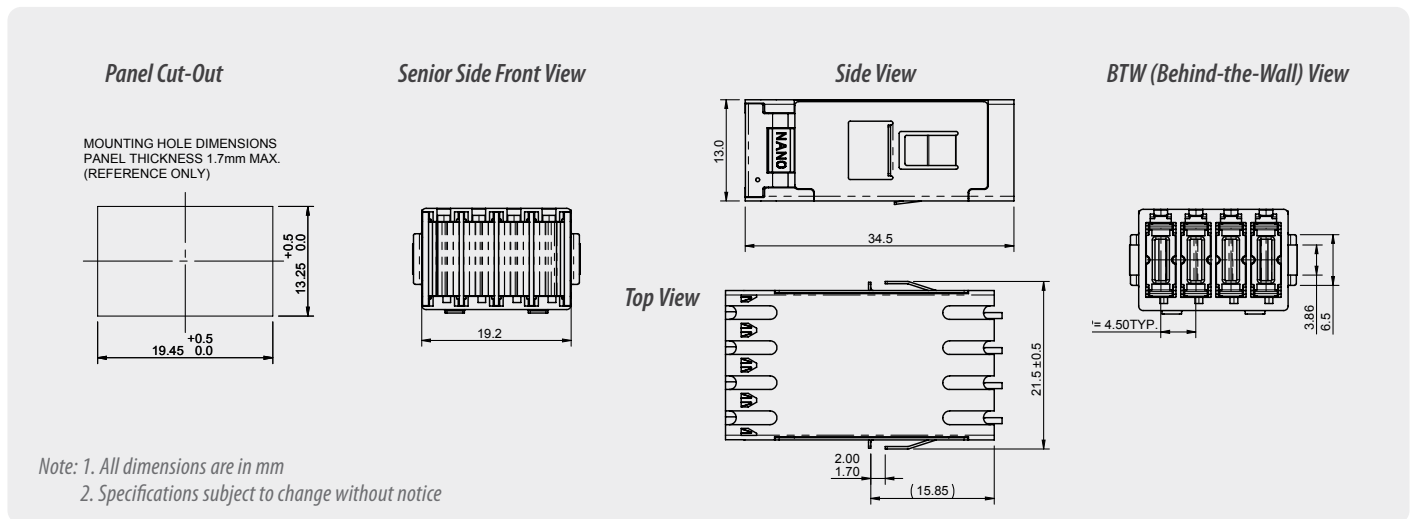
Shuttered, SN footprint, 1-port (16F) and 4-port (64F)

SN-MT ADAPTER DATA SHEET

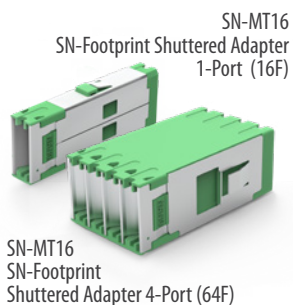
1-Channel Adapter Drawing



4-Channel Adapter Drawing



ORDERING



SN FOOTPRINT TYPE	FLANGE	HOUSING COLOR
651S SN 1-Port (16F) Non-Shuttered Adapter	1 With Flange	2 Black (Multimode)
654S SN 4-Port (64F) Non-Shuttered Adapter	2 Without Flange	3 Green (Singlemode)

Note: Adapter supplied with protective dust-cap on both sides



SENKO[®]

Advanced Components

sales@senko.com
1-858-623-3300

senko.com/contact