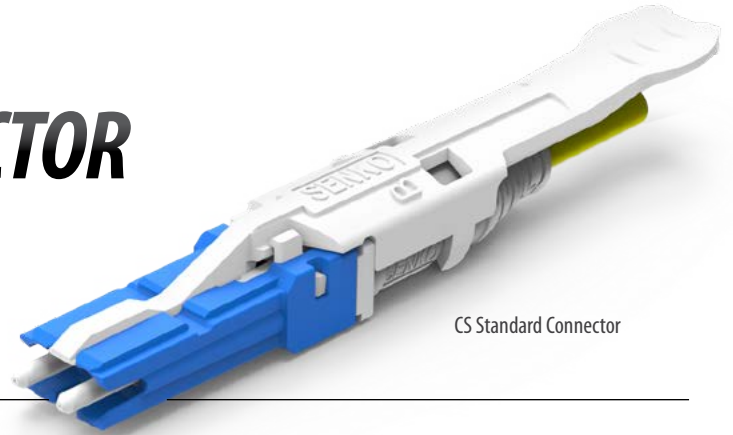


CS[®] **STANDARD CONNECTOR** 1-Channel (2F) 2.0 mm and 3.0 mm Cable



The CS[®] connector is the ultimate Base-2 connector combining 'best-in-class' packing density with carrier-grade performance and reliability. Designed and optimized for next-generation data rates, the CS[®] connector offers network operators the chance to densify their existing legacy infrastructure whilst at the same time providing an upgrade path to 400G and beyond.

The CS[®] Standard connector is suitable for termination to either 2.0 mm or 3.0 mm round cable that incorporates a ruggedized jacket and internal strain relief.

The CS[®] Standard connector has an integrated 'push-pull' boot that simplifies insertion and removal of the connector even in dense patch panels where finger access is limited. A gang-clip can be added to four individual CS[®] connectors allowing them to be patched simultaneously to either adapters or 4-channel transceivers (*subject to product selection*).

FEATURES

- IEC random mating Grade B
- Very Small Form Factor (VSFF) connector, 4 times fiber cabling density over duplex LC
- Duplex design utilizes a unique push-pull boot for simple installation and removal
- Optimized for 400G data rates with QSFP-DD, OSFP and SFP-DD transceivers
- Up to 4 x CS[®] connectors per transceiver
- Allows simple transceiver breakout in spine/leaf architectures
- Combines two 1.25 mm ceramic ferrules
- Pre-assembled design for fast assembly

APPLICATIONS

- High-density patching
- QSFP-DD, OSFP and SFP-DD transceiver links for higher data rates
- Hybrid Base-2 cable assemblies combining CS[®] and other duplex connector types
- Hyperscale, edge, enterprise and colocation data centers

MEDIA

Click to Watch Videos



CS® STANDARD CONNECTOR

1-channel (2F), 2.0 mm and 3.0 mm cable

CS CONNECTORS DATA SHEET

Mechanical Data

	Value
Durability	500 matings per TIA-568
Fiber Count	Duplex (2 fibers)
Cable Suitability	2.0 mm/3.0 mm jacketed
Ferrule Material	Zirconia
Dust Protection Method	Removable dust plugs that encapsulate the ferrules

Optical Data

	Singlemode				Multimode
	UPC		APC		MM
	SM Premium Low Loss	SM Premium	SM Premium Low Loss	SM Premium	Premium
Typical Insertion Loss (dB)*	0.05	0.08	0.07	0.12	0.05
Max. Insertion Loss (dB)*	0.15	0.20	0.15	0.25	0.15
Typical Return Loss (dB)*	≥55		≥65		≥25
Ferrule (μm)	125.5				127

* Based on master grade jumper to low loss random mating test

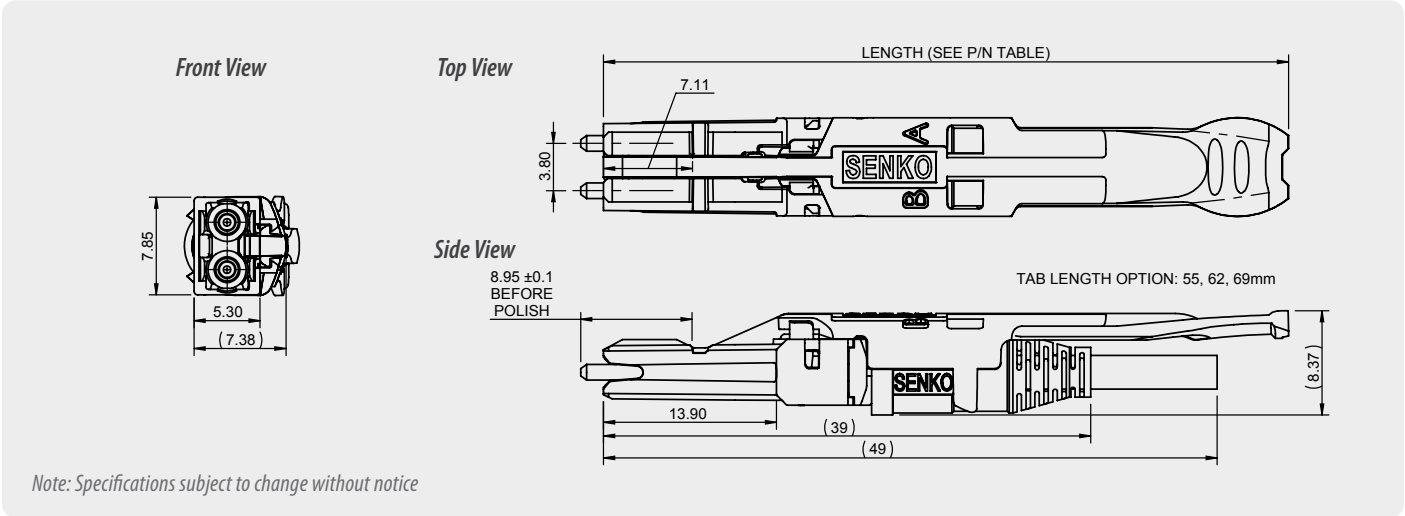
Environmental Data

	Value
Operating Temperature	-40°C to +75°C
RoHS Compliance	2015/863 RoHS
REACH Compliance	Yes
Free of Halogen	Yes
Humidity Resistance	95%

CS® STANDARD CONNECTOR

1-channel (2F), 2.0 mm and 3.0 mm cable

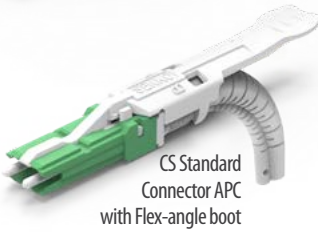
1-Channel Connector Drawing



ORDERING



CONNECTOR TYPE	PERFORMANCE	HOUSING COLOR	BOOT TYPE	BOOT COLOR	TAB LENGTH	TAB COLOR	
601 CS Connector UPC Unassembled for 2 mm/3 mm Cable	151 SM Premium	1 Blue	2 2.0 mm	1 White	47 47 mm	W White	
	158 SM Premium Low Loss	5 Aqua	3 3.0 mm		55 55 mm		
	251 MM Premium		6 Heather violet	4 2.0 mm		62 62 mm	
				Flex Boot		69 69 mm	



CONNECTOR TYPE	PERFORMANCE	HOUSING COLOR	BOOT TYPE	BOOT COLOR	TAB LENGTH	TAB COLOR	
611 CS Connector APC Unassembled for 2 mm/3 mm Cable	153 APC Premium	3 Green (APC)	2 2.0 mm	1 White	47 47 mm	W White	
	158 APC Premium Low Loss		3 3.0 mm		55 55 mm		
			4 2.0 mm			62 62 mm	
			Flex Boot			69 69 mm	

611 - 153 - 341 - 47W ORDER CODE example



PART NUMBER	Description
601-CLPP-01-W	Plastic Duplex Gang-clip for CS EZ-Flip Connectors or CS Standard Connectors

601-CLPP-01-W ORDER CODE example

SENKO[®]

Advanced Components

sales-americas@senko.com
1-858-623-3300

senko.com/contact