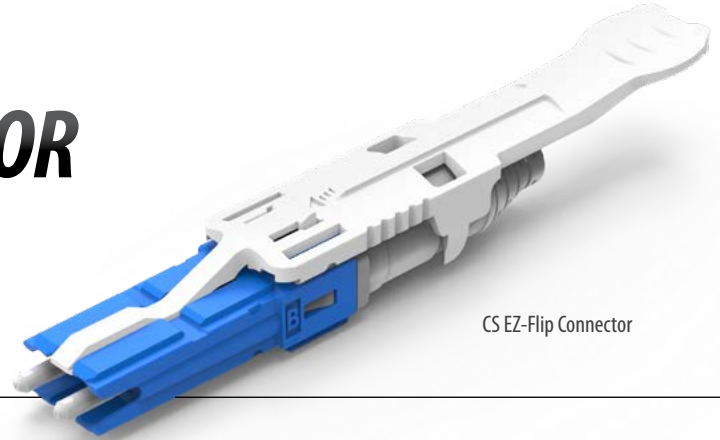


CS[®] EZ-FLIP CONNECTOR

1-Channel (2F)

2.0 mm and 3.0 mm Cable



CS EZ-Flip Connector

The CS[®] EZ-Flip connector is an advanced Base-2 connector that offers network operators the ability to increase the packing density of their LC-based infrastructure while optimizing their network for next-generation data rates, including 200G and 400G.

This recent expansion of the CS[®] family allows technicians to switch polarity in the field without disrupting fibers or repositioning ferrules. With its unique orientation of angled ferrules, the EZ-Flip connector can flip polarity even with APC connectors. Additionally, an integrated push-pull tab simplifies connector insertion and removal, making operating easy even in dense patch panels with limited finger access space.

In addition to its polarity-flipping capability, the EZ-Flip connector offers versatile patching options. Two individual CS[®] connectors can be joined with a gang clip, enabling simultaneous patching to transceivers that have two ports side by side. This flexibility simplifies the patching process, and reduces the time required to get the network operational.

FEATURES

- IEC random mating Grade B
- Very Small Form Factor (VSFF) connector, 2 x cabling density versus duplex LC
- Duplex design utilizes a unique push-pull tab for simple installation and removal
- Optimized for 200G data rates with QSFP-DD, OSFP and SFP-DD transceivers
- Up to 2 x CS[®] connectors per transceiver
- Allows simple transceiver breakout in spine/leaf architectures
- Fast and easy polarity reversal of both UPC and APC connectors in the field
- Combines two 1.25 mm ceramic ferrules
- Pre-assembled design for fast assembly

APPLICATIONS

- Enterprise, telco and data centers
- High-density patch panels
- Server consolidation
- High-density cross connects
- Equipment cords to CS[®] transceivers
- Harnesses and breakout cable assemblies
- Central office/head-end ODF

MEDIA

Click to Watch Videos



CS® EZ-FLIP CONNECTOR

1-channel (2F), 2.0 mm and 3.0 mm cable

CS CONNECTORS DATA SHEET

Mechanical Data

	Value
Durability	500 matings per TIA-568
Fiber Count	Duplex (2 fibers)
Cable Suitability	2.0 mm/3.0 mm jacketed
Ferrule Material	Zirconia
Dust Protection Method	Removable dust plugs that encapsulate the ferrules

Optical Data

	Singlemode				Multimode
	UPC		APC		MM
	SM Premium Low Loss	SM Premium	SM Premium Low Loss	SM Premium	Premium
Typical Insertion Loss (dB)*	0.05	0.08	0.07	0.12	0.05
Max. Insertion Loss (dB)*	0.15	0.20	0.15	0.25	0.15
Typical Return Loss (dB)*	≥55		≥65		≥25
Ferrule (µm)	125.5				127

* Based on master grade jumper to low loss random mating test

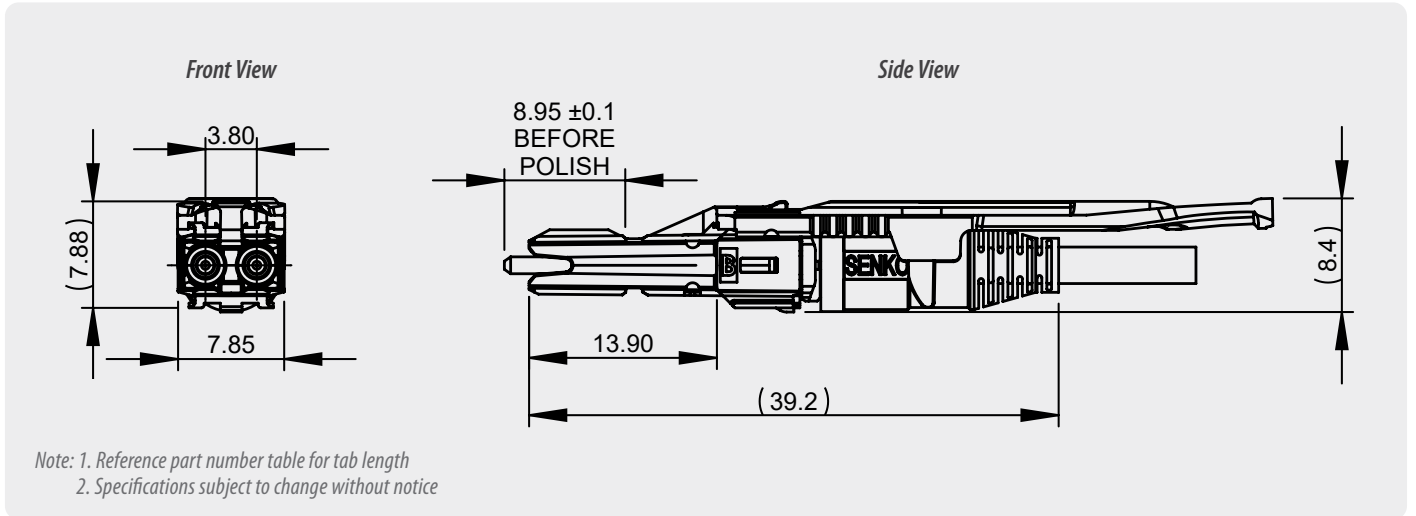
Environmental Data

	Value
Operating Temperature	-40°C to +75°C
RoHS Compliance	2015/863 RoHS
REACH Compliance	Yes
Free of Halogen	<i>* Based on master grade jumper to low loss random mating test</i> Yes
Humidity Resistance	95%

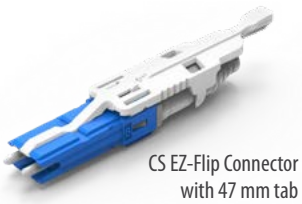
CS® EZ-FLIP CONNECTOR

1-channel (2F), 2.0 mm and 3.0 mm cable

1-Channel Connector Drawing



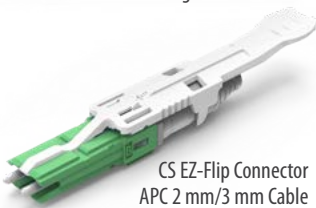
ORDERING



CONNECTOR TYPE	PERFORMANCE	HOUSING COLOR	BOOT TYPE	BOOT COLOR	TAB LENGTH	TAB COLOR
6E4 CS EZ-Flip UPC Connector Preassembled for 2 mm/3 mm Cable	151 SM Premium	1 Blue	2 2.0 mm	1 White	47 47 mm	W White
	158 SM Premium Low Loss	5 Aqua	3 3.0 mm		55 55 mm	
	251 MM Premium	6 Heather Violet	4 2.0 mm Flex Boot		62 62 mm	
			5 3.0 mm Flex Boot		69 69 mm	



CONNECTOR TYPE	PERFORMANCE	HOUSING COLOR	BOOT TYPE	BOOT COLOR	TAB LENGTH	TAB COLOR
6F4 CS EZ Flip UPC Connector Unassembled Kit for 2 mm/3 mm Cable	151 SM Premium	1 Blue	2 2.0 mm	1 White	47 47 mm	W White
	158 SM Premium Low Loss	5 Aqua	4 2.0 mm Flex Boot		55 55 mm	
	251 MM Premium	6 Heather Violet			62 62 mm	



CONNECTOR TYPE	PERFORMANCE	HOUSING COLOR	BOOT TYPE	BOOT COLOR	TAB LENGTH	TAB COLOR
6H4 CS EZ-Flip Connector APC Unassembled Kit for 2 mm/3 mm Cable	153 APC Premium	3 Green (APC)	2 2.0 mm	1 White	47 47 mm	W White
	158 SM Premium Low Loss		4 2.0 mm Flex Boot	6 Green	55 55 mm	
					62 62 mm	



Note: Preassembled version is currently offered only in UPC configuration.

SENKO[®]

Advanced Components

sales-americas@senko.com
1-858-623-3300

senko.com/contact