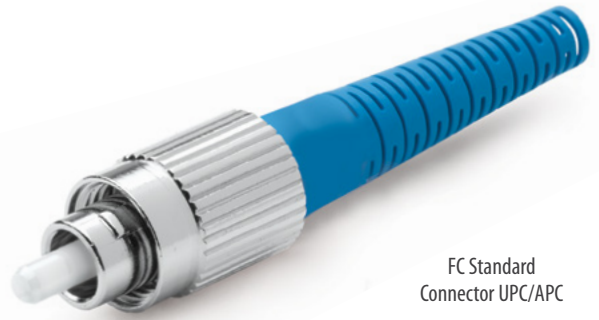


FC STANDARD **CONNECTOR UPC/APC** **332 / 343 Series**



FC Standard
Connector UPC/APC

SENKO's FC Standard Connector Series includes a threaded coupling mechanism. It comes in UPC or APC polishes, offering great performance and value, available either pre-assembled or in an assembly kit for easy installation. Suitable for cable diameters from 900 μm to 3 mm, it excels in quality, performance, and reliability. Features include the highest value for cost, a one-piece pre-assembled design, compliance with TIA/EIA, IEC, and JIS SC specifications, typical IL of 0.12 dB max 0.3 dB, and various boot colors to meet customer preferences.

FEATURES

- Threaded coupling mechanism
- High mechanical stability
- Precision alignment zirconia ferrules
- Boot options 900 μm to 3 mm
- UPC and APC versions

APPLICATIONS

- Telecommunications
- Data centers
- Test and measurement equipment
- Industrial applications
- Medical equipment
- Military and aerospace
- Broadcast
- Medical equipment

KEY BENEFITS

- ✓ **Secure and reliable connection**
- ✓ **High repeatability**
- ✓ **Highly stable performance**
- ✓ **Low IL and RL performance**
- ✓ **Simple termination and installation**
- ✓ **Environmental resistance**
- ✓ **Cost effective solution**

Mechanical Data

	Value
Durability	<0.1 dB typical change, 500 matings
Fiber Count	Simplex (1 fiber)
Cable Suitability	900 μm to 3 mm
Ferrule Material	Zirconia

Optical Data

	Singlemode	Multimode
	UPC	MM
	Standard	
Typical Insertion Loss (dB)	0.12	0.15
Max Insertion Loss (dB)	0.3	0.3
Typical Return Loss (dB)	≥55	≥25
Ferrule Diameter (μm)	125.5 μm	127 μm

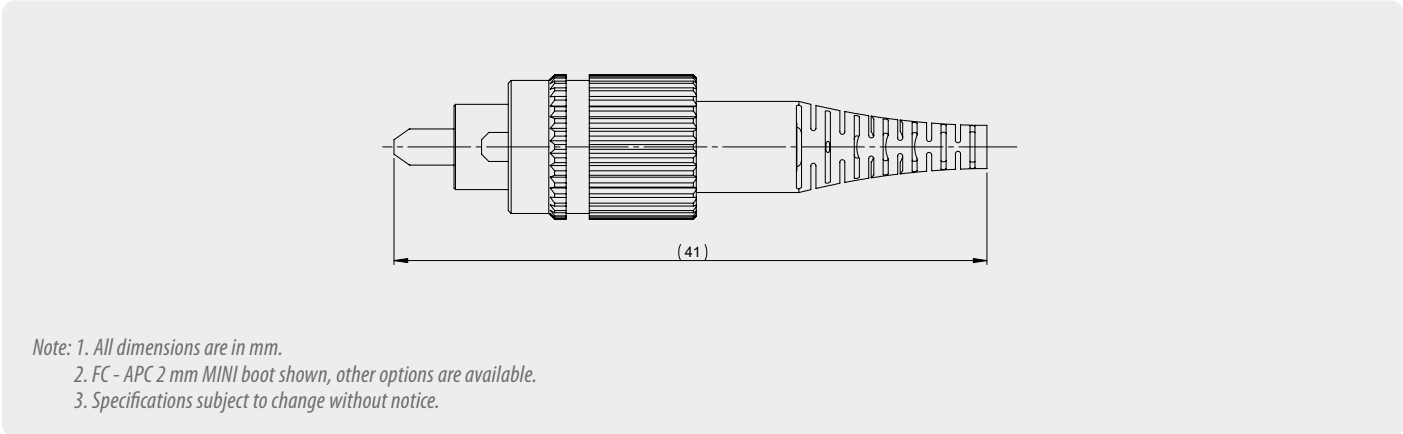
Environmental Data

	Value
Operating Temperature	-40°C to +75°C
RoHS Compliance	Yes
REACH Compliance	Yes

FC STANDARD CONNECTOR

332 / 343 Series

Connector Drawing



ORDERING



CONNECTOR		FERRULE TYPE		BOOT TYPE		BOOT COLOR	
343	Pre-assembled 1pc	101	SM: 125.5 µm	P	Standard 3.0 mm	1	Blue
332	Unassembled Inner Key	201	MM: 127 µm	N	Standard 2.0 mm	2	Black
				M	Standard 900 µm	4	Red
				J	MINI 900 µm	6	Yellow
						8	Beige

343 - 101 - J1 ORDER CODE example

SENKO[®]

Advanced Components

sales@senko.com
1-858-623-3300

senko.com/contact