

MPO^{PLUS} MICRO LATCH CONNECTOR 706 Series



MPO Plus Micro
Latch Connector

The SENKO MPO Plus Micro Latch Connector is an innovative solution designed to optimize space and efficiency. Its very small size ensures that it does not protrude from the housing, greatly reducing the space required for installation. This makes it the smallest footprint possible for such connectors. The connector features a no-spring housing design, which simplifies its structure and reduces costs.

The Micro Latch MPO utilizes the existing MPO Plus ferrule, available in both single-mode (SM) low loss and multi-mode (MM) low loss options, as well as all other MPO Plus ferrules. This compatibility ensures that it can be easily integrated into existing systems. Note that a latch compatible adapter is required. The Senko MPO Micro Latch Connector is an excellent choice for applications where space is at a premium and high performance is essential.

FEATURES

- Compact size
- 12 fiber center key
- Simple latch release mechanism

APPLICATIONS

- Artificial intelligence (AI)
- FTTx
- Telecommunications
- Data center
- Cloud computing
- High performance computing (HPC)

KEY BENEFITS

- ✓ **Low profile**
- ✓ **Low insertion loss**
- ✓ **Economical**
- ✓ **Patented latch release mechanism**

Mechanical Data

	Value
Durability	500 matings per GR-1435
Fiber Count	Up to 12 fibers
Cable Suitability	Bare ribbon fiber

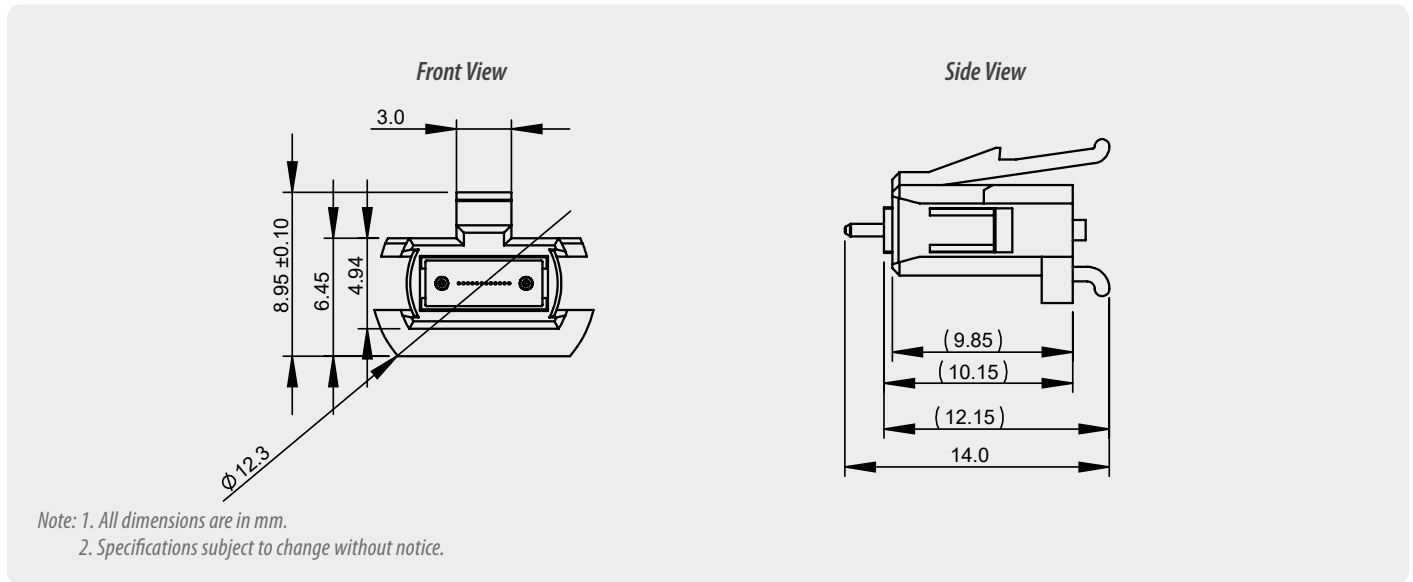
Optical Data

	Singlemode		Multimode	
	APC		MM	
	Low Loss	Standard	Low Loss	Standard
Typical Insertion Loss (dB) 12-fiber	0.10	0.20	0.08	0.15
Max. Insertion Loss (dB) 12-fiber	0.25	0.70	0.25	0.50
Typical Return Loss (dB)	≥60		≥25	
Operating Temperature (°C)	-40 to +75			
Durability	SM <0.3 dB typical change, 50 matings			

Environmental Data

	Value
Operating Temperature	-40°C to +75°C
RoHS Compliance	Yes
REACH Compliance	Yes

Connector Drawing – 706 Series



ORDERING

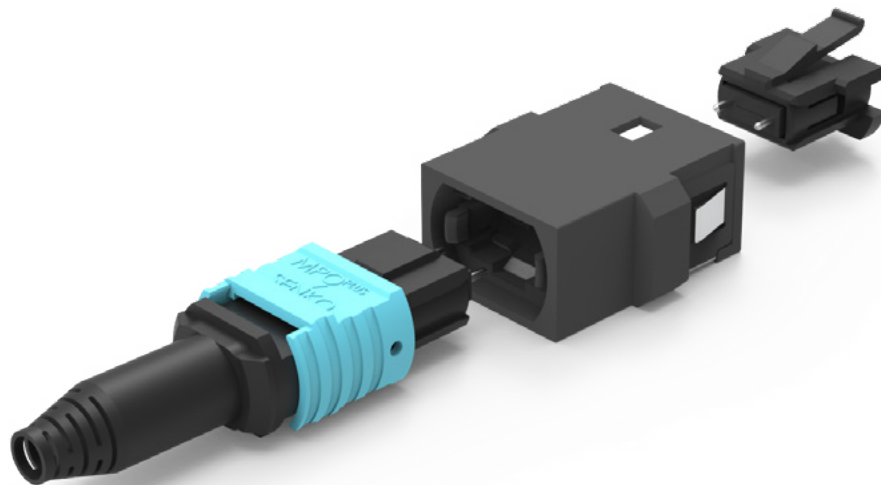


MPO Plus Micro Latch Connector

MICRO	GENDER/PIN	FERRULE TYPE	FIBER COUNT
706F	F Female Pin Clamp	SS SM Standard	04 4F
	M Male Pin Assembly	SL SM Super Low Loss	08 8F
		MS MM Standard	12 12F
		ML MM Super Low Loss	

706F - F - SS12 ORDER CODE example

Note: Requires use of MPO Plus Polarity Changeable adapter.



Accessories - Cleaning

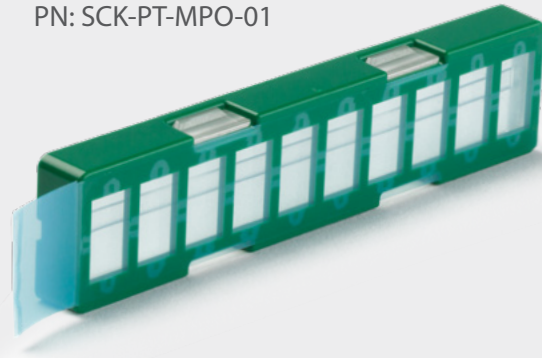
Smart CleanerTM

PN: SCK-SS-MPO (12/24F Center Key Connectors)
PN: SCK-SS-MPO-02 (16/32F Offset Key Connectors)



MPO^{PLUS}

OPTRES Gel Cleaner
PN: SCK-PT-MPO-01



Accessories - Interferometry

SUMIX Manta W+ Inspection Scope

PN: SMX-Manta-W+



- Inspects 12 fiber in 2.6 seconds, 24 fiber in 4.5 seconds
- 0.5µm defect detection
- Inspection tips for MPO, CS, SN, LC available

SUMIX Max QM+ Inspection Scope

PN: MAX-Quantum



- Inspects 12 fiber in 2.6 seconds, 24 fiber in 4.5 seconds
- 0.5µm defect detection

SMX Manta W+
MPO Polarity and Continuity Module

PN: MPO Verifier



- Works for 8, 12, 24, 48 and 16, 32 fiber MPO
- Auto test and analysis

SMX Manta W+ Benchtop Holder

PN: MNT-W-Stand



SENKO[®]

Advanced Components

sales@senko.com
1-858-623-3300

senko.com/contact