



## IP-16 PLUG & PLAY Fanout Kit



IP-16 Plug and Play Fanout Kit

The IP-16 Plug & Play Fanout Kit represents SENKO's solution for outdoor fiber distribution. It facilitates the utilization of a pre-terminated feeder cable, which is equipped with the robust SENKO IP-16 MPO connector, capable of handling up to 24 fibers. The pre-assembled fanout allows for the direct connection of a pre-terminated IP-16 MPO assembly into the fanout body's base, streamlining pre-installation processes on-site prior to the deployment of the main feeder cables. This approach significantly reduces both the time and financial investment required for installation. Crafted to withstand demanding conditions, the fanout body boasts an IP68 rating and is constructed from UV-resistant materials, rendering it ideal for a wide array of applications, including FTTH drop terminals and macro cell trunk cable solutions. Its compact design accommodates the transition from 12/24 fibers to simplex or duplex configurations, offering a space-efficient alternative to conventional fiber distribution boxes or terminal solutions. The pre-assembled fanout is factory-terminated, ensuring superior optical and mechanical performance.

### FEATURES

- IP68 rated hardened fanout body
- UV resistance for outdoor applications
- Small footprint assembly for space saving
- Easy and quick installation
- Fanout pre-assembled at the factory
- 12/24F MT base feeder cable
- Various fanout configurations for legs

### APPLICATIONS

- FTTx, FTTH
- Broadcast
- Military
- Industrial
- Transport
- Renewable energy

### KEY BENEFITS

- ✓ **Pre-assembled fanout assembly**
- ✓ **IP68 rated**
- ✓ **Flexible and expandable configuration**

**IP-16 PLUG AND PLAY**

## Fanout kit

HARSH ENVIRONMENT SERIES DATA SHEET

**Mechanical Data**

	Value
Pull Force	100 lbf or 450 N ( <i>feeder side</i> ) 15 lbf or 66 N ( <i>fan-out side</i> )
Number of fibers	Up to 24 fiber fan-out
Mounting Method	Hose clip / cable tie

**Environmental Data**

	Value
IP Rating*	IP68
Operating Temperature (C)	-40°C to +75°C

\* The IP rating was validated using a SENKO sourced cable and termination procedure. It is recommended to retest IP rating for any other cable types.

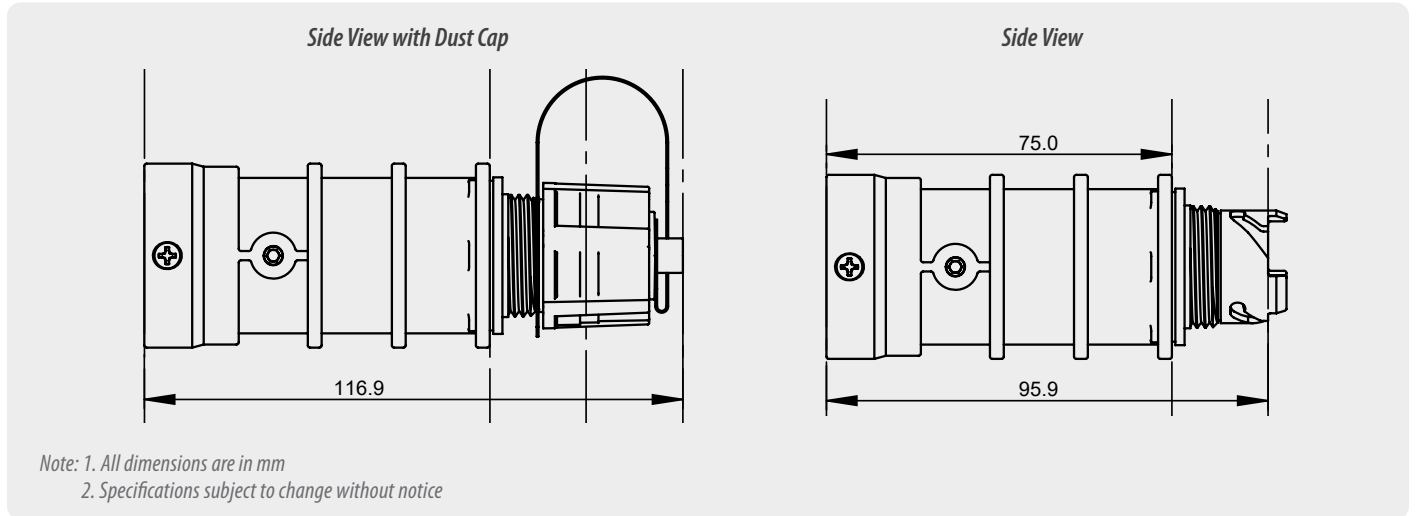
**CONFIGURATION EXAMPLES**

# IP-16 PLUG AND PLAY

## Fanout kit

HARSH ENVIRONMENT SERIES DATA SHEET

### Fanout Body Drawing



### ORDERING



IP-16 Plug and Play Fanout Body

CONNECTOR TYPE		FEEDER CABLE CODE		DRUM	
IP-FO-MP	IP Plug and Play Fanout	IP16	IP-16 MPO Bulkhead Adapter	A	6 X 7.0 mm
				B	9 X 4.8 mm
				C	12 X 4.8 mm
				E	6 X 4.8 mm

IP-FO-MP - IP16 - X ORDER CODE example

# SENKO<sup>®</sup>

Advanced Components

[sales@senko.com](mailto:sales@senko.com)  
1-858-623-3300

[senko.com/contact](https://senko.com/contact)