

IP-16 SN SERIES Connector Bulkhead Adapter Inline Adapter



The IP-16 Connector series is SENKO's hardened fiber optic connectivity solution for outdoor applications and harsh environments. The light-weight, yet robust plastic housing provides IP68 rating, paired with ergonomic bayonet mechanics for quick and easy installations.

This IP-16 SN Series is equipped with SENKO's advanced SN[®] connectivity, a cutting-edge Very Small Form Factor (VSFF) technology, designed to accommodate higher fiber counts in comparison to traditional hardened connector series. This innovative series harnesses the proven reliability of the 1.25mm ceramic ferrules, same as traditional LC connectors. As the demand for higher data rates escalates, there is a growing necessity for more extensive fiber deployment. The IP-16 SN Series addresses this need with its versatile configurations, providing options for 2 channels (4-fiber) and 3 channels (6-fiber), allowing for integration with fiber optic cables of increased fiber counts, thereby enhancing network capacity and performance.

FEATURES

- IP68 rated hardened connector
- ODVA standard footprint shell
- Lightweight, yet rugged plastic body
- Bayonet lock with patented Safe Lock Ring
- UV resistance for outdoor applications
- 100lbs superior pull force
- Easy and quick termination
- Compatible with 4.5-7.2mm OD cable

APPLICATIONS

- FTTx, FTTH
- Broadcast
- Military
- Industrial
- Transport
- Renewable energy
- Medical

KEY BENEFITS

- ✓ **IP68 rated**
- ✓ **100lbf pull force**
- ✓ **Easy installation bayonet mechanism**

Mechanical Data

	Value
Flex	0°/+90°/-90° for 80 cycles
Proof	100 lbf or 450 N for 120 seconds
TWAL	0°/90° for 30 minutes
Durability	50 matings
Fiber Count	4 / 6 fibers
Cable Suitability	4.5 - 7.2 mm round

Optical Data

	Singlemode		Multimode
	UPC		MM
	Low Loss	Standard	Standard
Typical Insertion Loss (dB)*	0.05	0.08	0.10
Max. Insertion Loss (dB)*	0.15	0.20	0.20
Typical Return Loss (dB)*	≥55		≥25

* Based on master grade jumper to low loss random mating test

Environmental Data

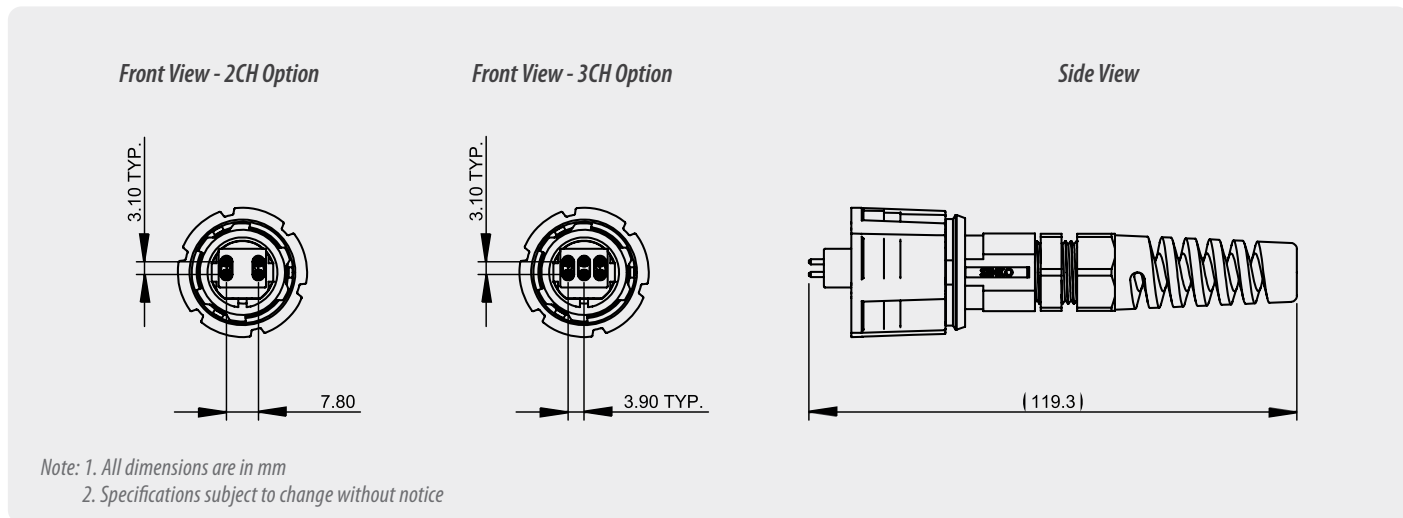
	Value
IP Rating*	IP68
Operating Temperature (C)	-40°C to +75°C
UV Resistance	Yes
RoHS Compliance	2015/863 RoHS
REACH Compliance	Yes

* The IP rating was validated using a SENKO sourced cable and termination procedure. It is recommended to retest IP rating for any other cable types.

IP-16 SN SERIES Connector

HARSH ENVIRONMENT SERIES DATA SHEET

Connector Drawing



ORDERING



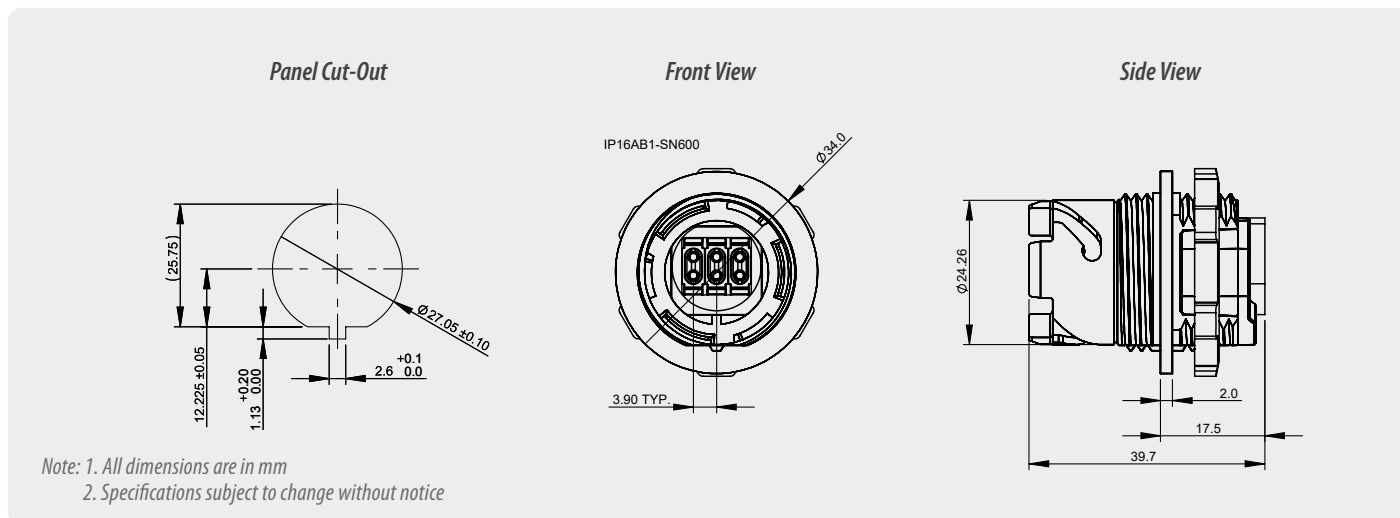
CONNECTOR TYPE		PERFORMANCE		FIBER COUNT		CABLE SIZE		DUST CAP	
IP16C1-SN	IP-16 SN Connector	L	SM	04	4 Fibers (2CH)	4.8	4.8 mm	D	With
		A	MM	06	6 Fibers (3CH)	5.X	5.0 mm	None	Without
						6.0	6.0 mm		
						7.0	7.0 mm		

IP16C1 - SNL06 - 6.0 - D ORDER CODE example

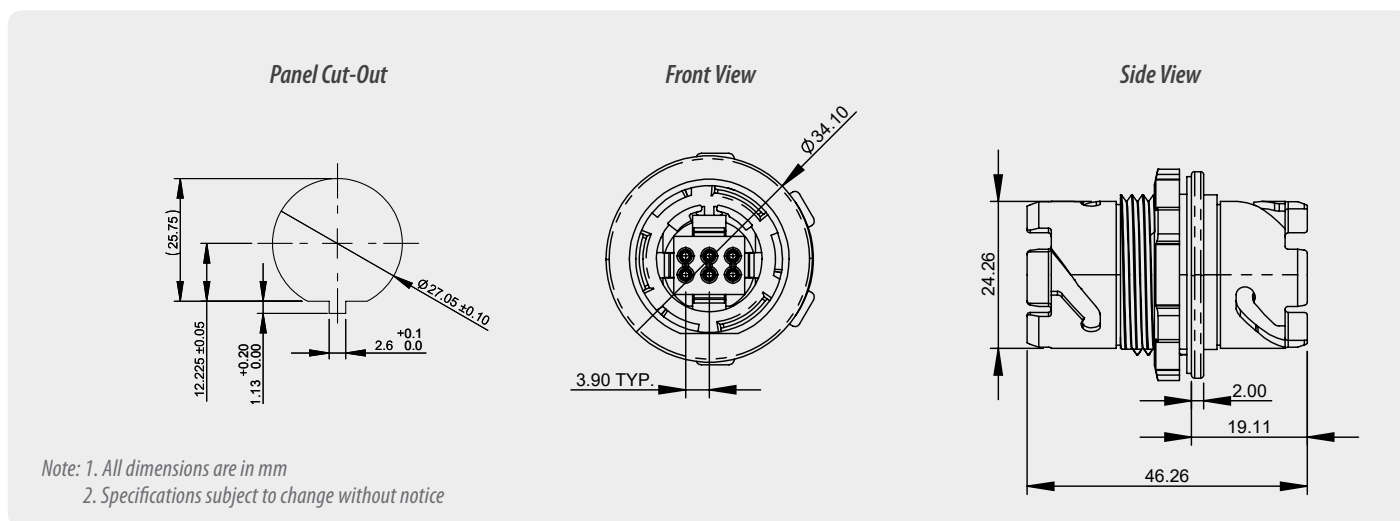
IP-16 SN SERIES

Bulkhead adapter

Bulkhead Adapter Drawing



Inline Adapter Drawing



ORDERING



IP-16
SN Bulkhead Adapter



IP-16
SN Inline Adapter

ADAPTER TYPE	PORT TYPE	PORT COUNT	LOCKING NUT OPTION	DUST CAPS
IP16AB1 Bulkhead Adapter	SN SN	3 3 Port (6 Fiber)	00 With Lock Nut / Gasket	D With None Without

ADAPTER TYPE	PORT TYPE	PORT COUNT	LOCKING NUT OPTION	DUST CAPS
IP16AL1 Inline Adapter	SN SN	3 3 Port (6 Fiber)	00 With Lock Nut / Gasket NN Without Lock Nut / Gasket	D With None Without

IP16AL1 - SN300 - D ORDER CODE example

SENKO[®]

Advanced Components

sales@senko.com
1-858-623-3300

senko.com/contact