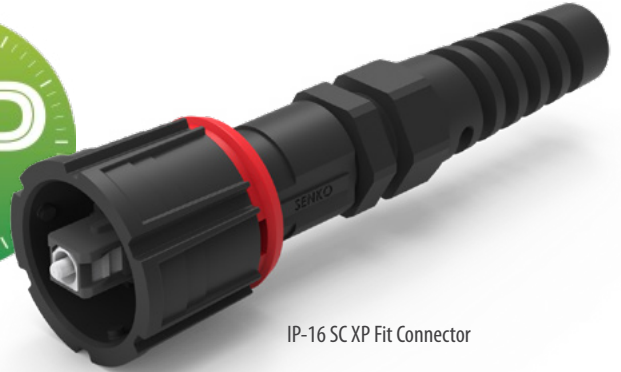


IP-16 SCXP Fit **CONNECTOR** **Field Installable Connector**



IP-16 SC XP Fit Connector

Discover the SENKO IP-16 Connector Series, the ultimate solution for fiber optic connectivity that thrives in the great outdoors and the most demanding environments. This series is a testament to SENKO's commitment to innovation, offering a lightweight design without compromising on strength. The IP68-rated housing ensures maximum protection, while the user-friendly bayonet mechanics make installations a breeze.

The SC single-fiber connector is the cornerstone of FTTx and telecommunications, celebrated for its unmatched durability and effortless push-pull coupling. When precision cable lengths are unknown during FTTH deployment, SENKO's XP Fit field installable connector emerges as the hero, guaranteeing flawless cable management and elimination of excess slack.

Embrace the SENKO IP-16 SC XP Connector, where dependable SC technology meets a patented, weatherproof housing for rapid Plug & Play field installations. Available in both bulkhead and in-line variants, it's designed to adapt to your needs, whether for panel or box mounting or for creating seamless cable-to-cable connections.

FEATURES

- IP68 rated hardened connector
- ODVA standard footprint
- Lightweight, yet rugged plastic body
- Bayonet lock with patented Safe Lock Ring
- UV resistance for outdoor applications
- 100 lbs superior pull force
- Easy and quick termination
- Compatible with 4.5-11.0 mm OD cable

APPLICATIONS

- FTTx drops and terminations
- Small cell sites
- Rural fiber deployments and restorations
- Premise environments
- Direct equipment termination

KEY BENEFITS

- ✓ **IP68 rated**
- ✓ **Field installable**
- ✓ **Easy installation bayonet mechanism**

IP-16 SCXP Fit Connector

HARSH ENVIRONMENT SERIES DATA SHEET

Mechanical Data

	Value
Durability	50 matings
Fiber Count	Simplex (1 fiber)
Cable Suitability	4.5 - 11.0 mm round

Optical Data

Field Installable Connector Type	XP Fit Plus SC			Q-XP Premium SC AP
	Singlemode		Multimode	Singlemode
Parameters	UPC	APC	MM	APC
	Standard			Standard
Typical Insertion Loss (dB)*	0.20	0.30	0.10	0.25
Max. Insertion Loss (dB)*	0.50	0.75	0.30	0.75
Typical Return Loss (dB)*	≥55	≥60	≥35	≥65

Environmental Data

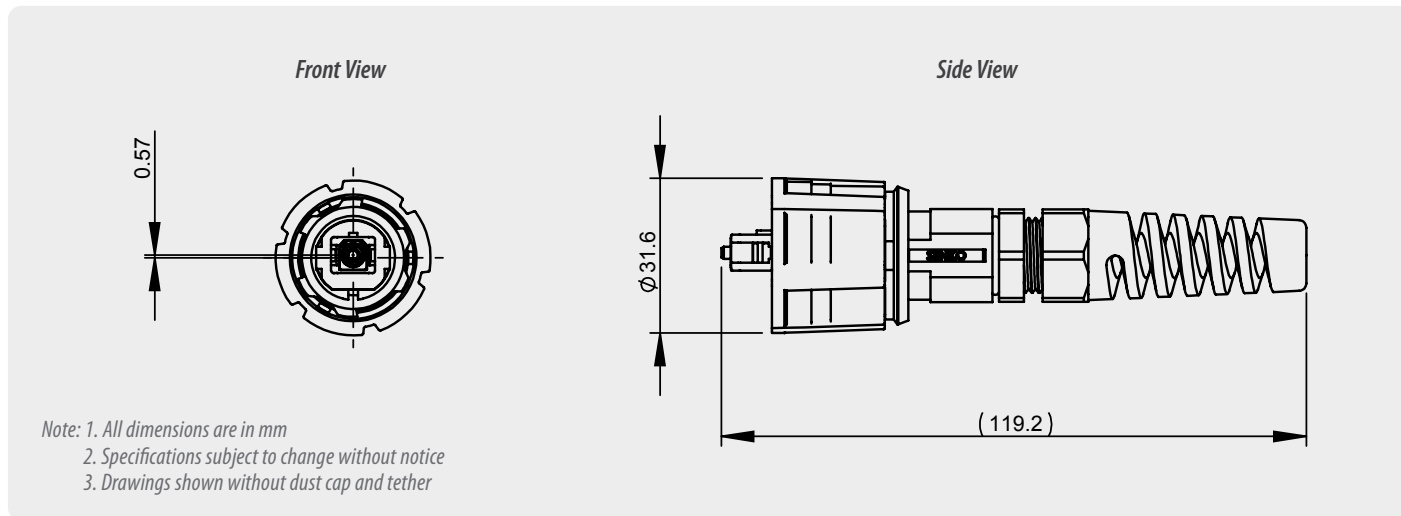
	Value
IP Rating*	IP68
Operating Temperature (C)	-40°C to +75°C
UV Resistance	Yes
RoHS Compliance	2015/863 RoHS
REACH Compliance	Yes

* The IP rating was validated using a SENKO sourced cable and termination procedure. It is recommended to retest IP rating for any other cable types.

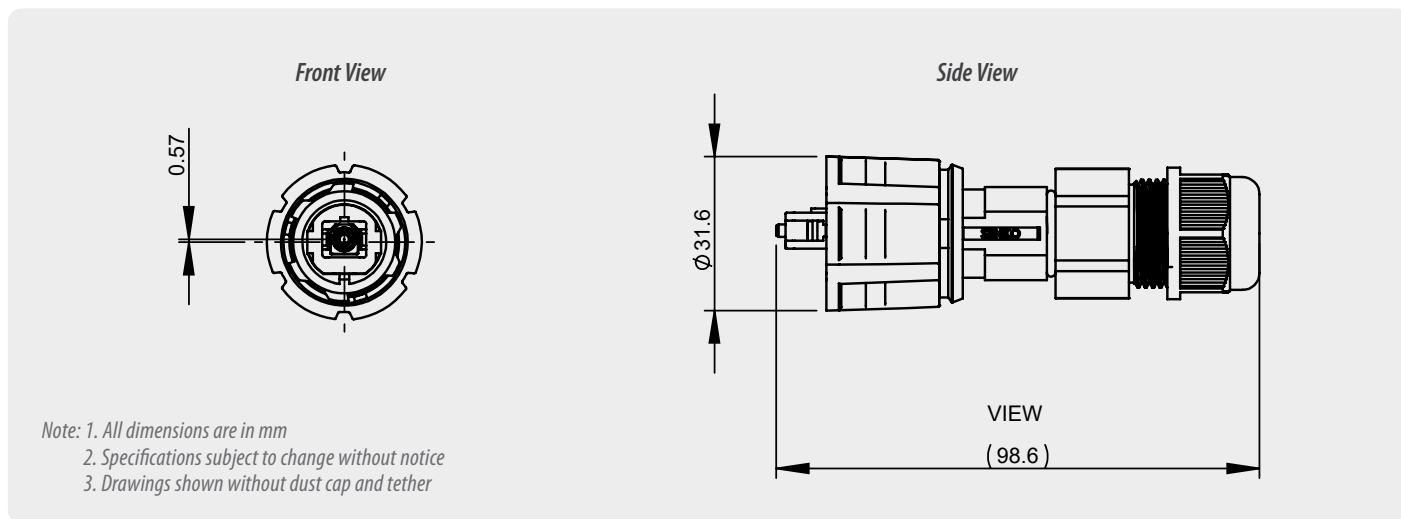
IP-16 SCXP Fit Connector

HARSH ENVIRONMENT SERIES DATA SHEET

Connector Drawing 4.5 - 7.2 mm Cable



Connector Drawing 7.5 - 11 mm Cable



ORDERING



CONNECTOR CODE		CONNECTOR TYPE		CRIMP SET		CABLE		SAFE LOCK RING		DUST CAP	
IP-SCFT	IP-16 SC Connector	1	XPFit Plus	LSM	Blue	4.8	4.5 mm - 4.9 mm	00	With	D	With dust cap
		4	Q-XP SC APC	LAPC	Green	5.x	5.3 mm - 5.7 mm				
				LM01	Beige	6.0	5.8 mm - 6.2 mm				
				LM02	Black	7.0	6.8 mm - 7.2 mm				
				LM03	Aqua	E	7.5 mm - 11 mm				
						F	2X3mmDC				

IP-SCFT - 4 - LAPC - 6.0 - 00 - D ORDER CODE example

SENKO[®]

Advanced Components

sales@senko.com
1-858-623-3300

senko.com/contact