

IP-RC **CONNECTOR** Weatherproof Field Installable



IP-RC
Connector

SENKO's IP-RC connector is expertly crafted for outdoor use, boasting weatherproof sealing and a field-installable design. It's fine-tuned for FTTA network deployment, including Radio Units (RU) and other devices, ensuring compatibility with widely deployed RU interfaces. The connector kit features a feed-through shroud, facilitating straightforward and dependable field installations without the need for specialized tools.

Today's majority of RU equipment depends on SFP transceiver modules, necessitating LC duplex fiber optic interfaces. The IP-RC Connector seamlessly pairs with SENKO's Uniboot style LC connector series, providing robust protection. With an outdoor-rated fiber patch cord that has a pre-terminated LC connector, the IP-RC connector transforms it into a dependable cable suitable for RU equipment.

FEATURES

- IP67 rated sealing housing
- Plastic robust body
- UV resistance for outdoor applications
- Field installable
- Suitable for 4.8-12.0 mm cable

APPLICATIONS

- Conduit type available
- Radio unit interface
- Wireless outdoor applications

KEY BENEFITS

- ✓ **IP67 rated protected connection**
- ✓ **Field installable with pre-assembled fiber cable**

Mechanical Data

	Value
Pull Force	45lbf or 200N
Cable Suitability	4.8 - 12.0 mm

Environmental Data

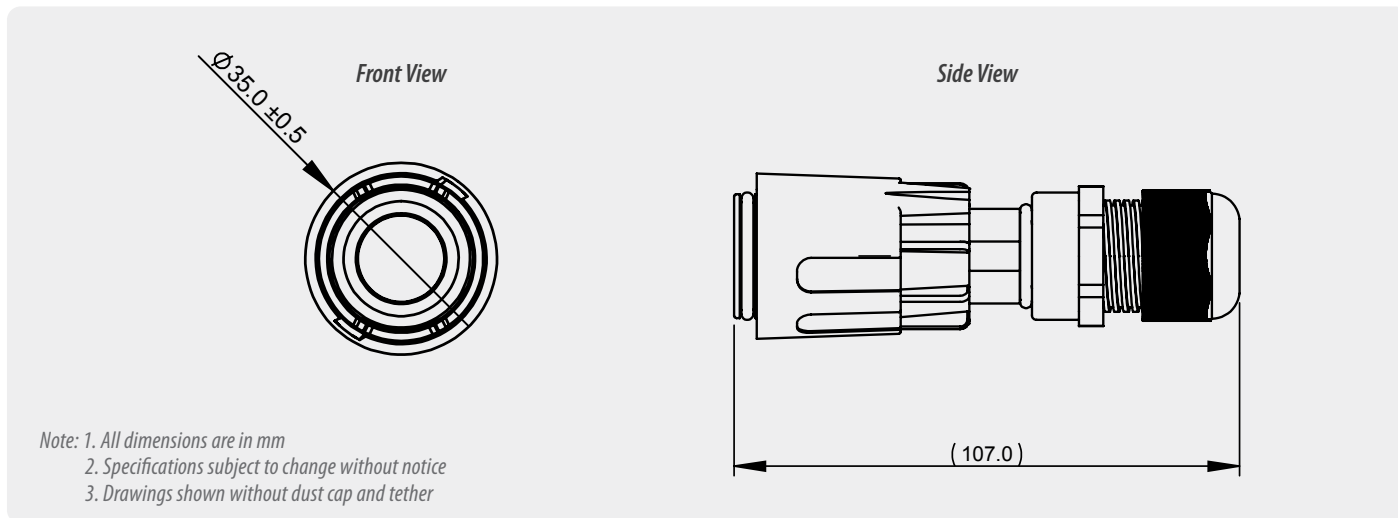
	Value
IP Rating*	IP67
Operating Temperature (C)	-40°C to +75°C
UV Resistance	Yes
RoHS Compliance	2015/863 RoHS
REACH Compliance	Yes

* The IP rating was validated using a SENKO sourced cable and termination procedure. It is recommended to retest IP rating for any other cable types.

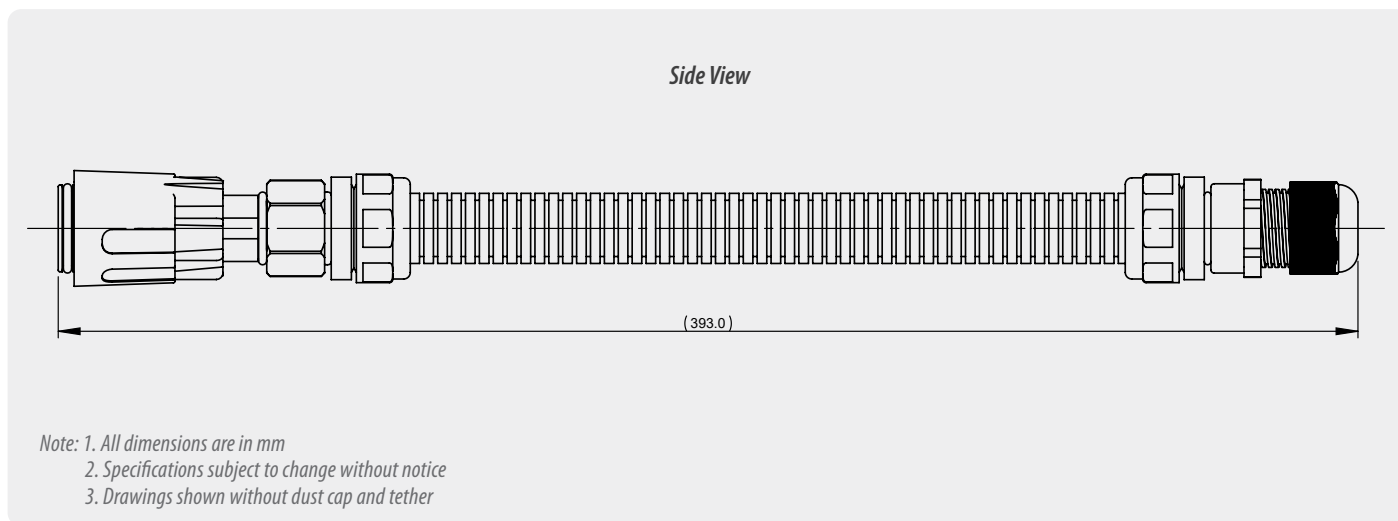
IP-RC CONNECTOR

Connector

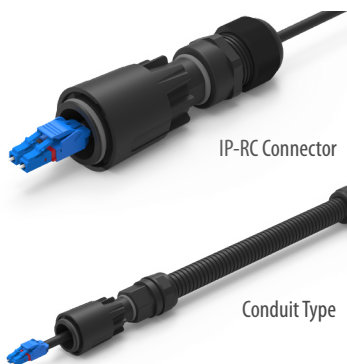
Connector Drawing



Conduit Drawing



ORDERING



CONNECTOR TYPE		CABLE SIZE		INNER CONNECTOR TYPE		DUST CAP	
IP-RC FEXT	IP-RC Connector	B	4.8 - 8.0 mm	00	None	None	Without Dust Cape
IP-RC FCD25	Conduit Type	C	7.8 - 10.0 mm			D	With Dust Cap
		D	9.0 - 12.0 mm			DL	With Dust Cap/Laynard

IP-RC-FEXT - B - 00 - D ORDER CODE example

Note: IP-RC Connector Kit does not include LC connectors. Senko recommends LC Switchable Uniboot Connector (948 LC Series) to be used with IP-RC Connector Kit.

SENKO[®]

Advanced Components

sales@senko.com
1-858-623-3300

senko.com/contact