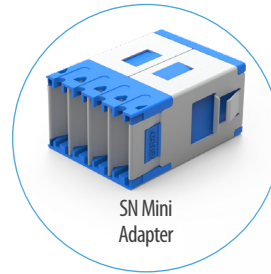


SN[®] **MINI CONNECTOR** **1-Channel (2F)** **BTW (Behind The Wall)**



The SN[®] Mini connector is the shortest connector in the SN[®] family and offers users the most space-efficient solution for applications demanding optimized BTW (Behind The Wall) space-saving. In combination with SN[®] Mini adapters, as much as 14.1 mm can be saved compared with standard adapters and connectors, making it the ideal solution for opto-electronic applications requiring circuit boards or other vital components to share the same BTW space as fiber optic connectivity.

The SN[®] Mini connector is a duplex design that combines two spring loaded 1.25 mm ceramic ferrules in a single miniature housing. On the upper face of the connector, there is a latch locking mechanism to maintain secure engagement to the adapter providing users with the additional benefit of an audible click.

FEATURES

- Up to 70% BTW space-saving compared with standard connectors
- Accepts 2 x 600/900 μm buffered fibers
- Uses proven LC ferrule technology
- Integrated upper latch for secure coupling
- Supports 200G/400G VSFF connectivity
- Telcordia, ANSI, TIA and IEC compliant
- Color-code for to denote optical performance

APPLICATIONS

- Coherent optic systems
- WDM systems
- Optoelectronic devices
- Automated robotic switches
- Ultra-short cassettes and modules

KEY BENEFITS

- ✓ **Maximum BTW space**

Mechanical Data

	Value
Durability	500 matings per TIA-568
Fiber Count	Duplex (2 fibers)
Cable Suitability	2 x 600/900 µm buffered fibers
Ferrule Material	Zirconia
Dust Protection Method	Removable dust plugs that encapsulate the ferrules

Optical Data

	Singlemode				Multimode
	UPC		APC		MM
	SM Premium Low Loss	SM Premium	SM Premium Low Loss	SM Premium	Premium
Typical Insertion Loss (dB)*	0.05	0.08	0.07	0.12	0.05
Max. Insertion Loss (dB)*	0.15	0.20	0.15	0.25	0.15
Typical Return Loss (dB)*	≥55		≥65		≥25
Ferrule Diameter (µm)	125.5				127

* Based on master grade jumper to low loss random mating test

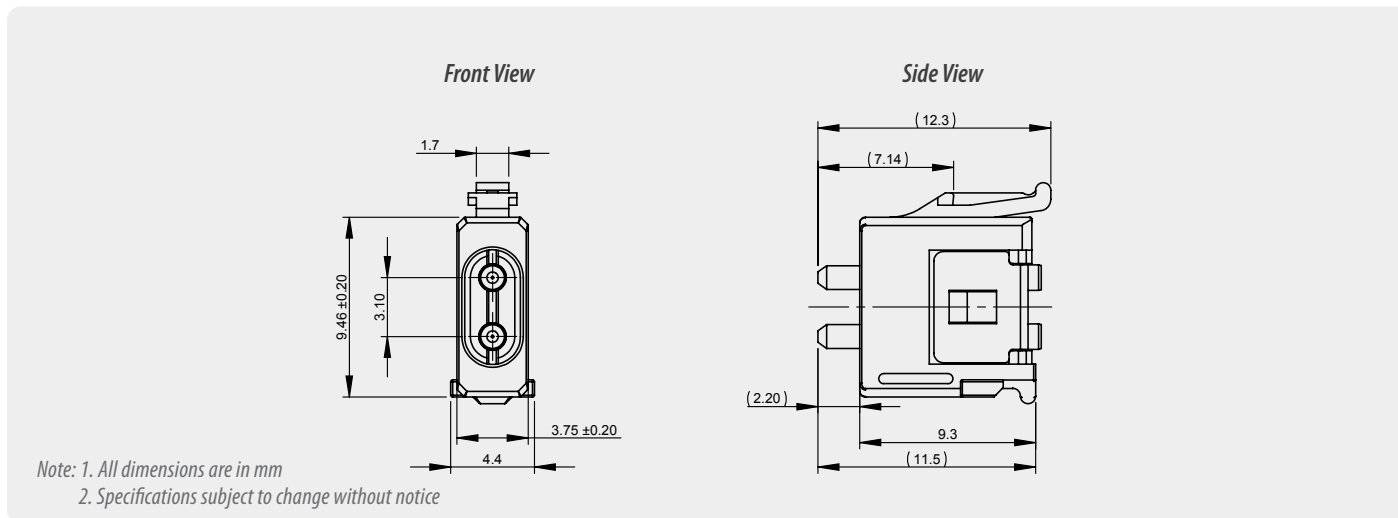
Environmental Data

	Value
Operating Temperature	-40°C to +75°C
RoHS Compliance	2015/863 RoHS
REACH Compliance	Yes
Free of Halogen	Yes
Humidity Resistance	95%

SN® MINI CONNECTOR

1-channel (2F)

1-Channel Connector Drawing



ORDERING



SN Mini Connector UPC

CONNECTOR TYPE	PERFORMANCE	HOUSING COLOR
609 SN Mini Connector	151 SM Premium	1 Blue
	158 SM Premium Low Loss	5 Aqua
	251 MM Premium	6 Heather Violet



SN Mini Connector APC

CONNECTOR TYPE	PERFORMANCE	HOUSING COLOR
619 SN Mini APC Connector	153 APC Premium	3 Green
	158 APC Premium Low Loss	

619 - 153 - 3 ORDER CODE example

Note: 1. SN Mini Connector has no boot
2. Connector supplied with protective dust-cap

SENKO[®]

Advanced Components

sales@senko.com
1-858-623-3300

senko.com/contact