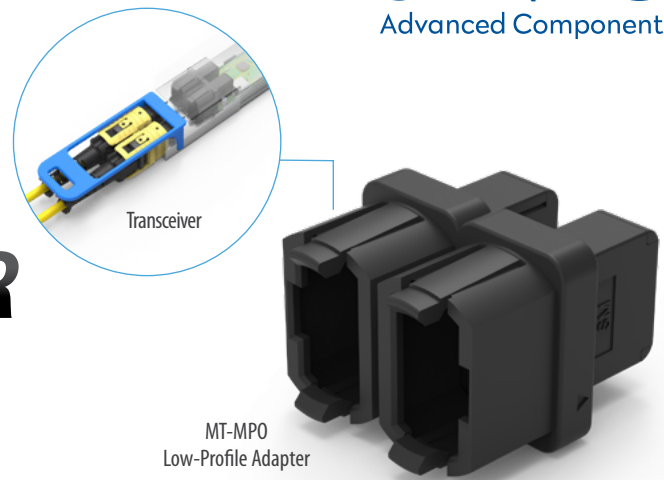


MT-MPO **LOW-PROFILE ADAPTER** Non-Shuttered Center Key



SENKO's MT-MPO Hybrid Low-Profile Adapter bridges MT ferrule and MPO connector, ensuring precision alignment for reliable performance, easy installation to save time and effort, and low-profile for both Single and Dual MPO transceiver interfaces.

This Hybrid Adapter serves as the ideal choice for MPO-12 One row, and Dual MPO-12 Optical Interface, within QSFP-DD, OSFP and OSFP-XD transceiver modules. It supports high bandwidth transceivers (400G, 800G, 1.6T) for ML and AI-driven applications.

FEATURES

- MT-MPO hybrid adapter for MT to MPO alignment
- Low-profile
- SM/APC
- Reduced flange
- Center key
- High precision alignment
- Easy installation

APPLICATIONS

- Transceivers for 400G, 800G, 1.6T
- On-board optics

KEY BENEFITS

- ✓ QSFP-DD footprint
- ✓ OSFP footprint
- ✓ OSFP-XD footprint

MT-MPO LOW-PROFILE ADAPTER

Non-shuttered, center key

MT-MPO DATA SHEET

Mechanical Data

	Value
Durability	50 matings per GR-1435-CORE
Fixing Method	Retro-fit
Housing Material Type	Plastic

Environmental Data

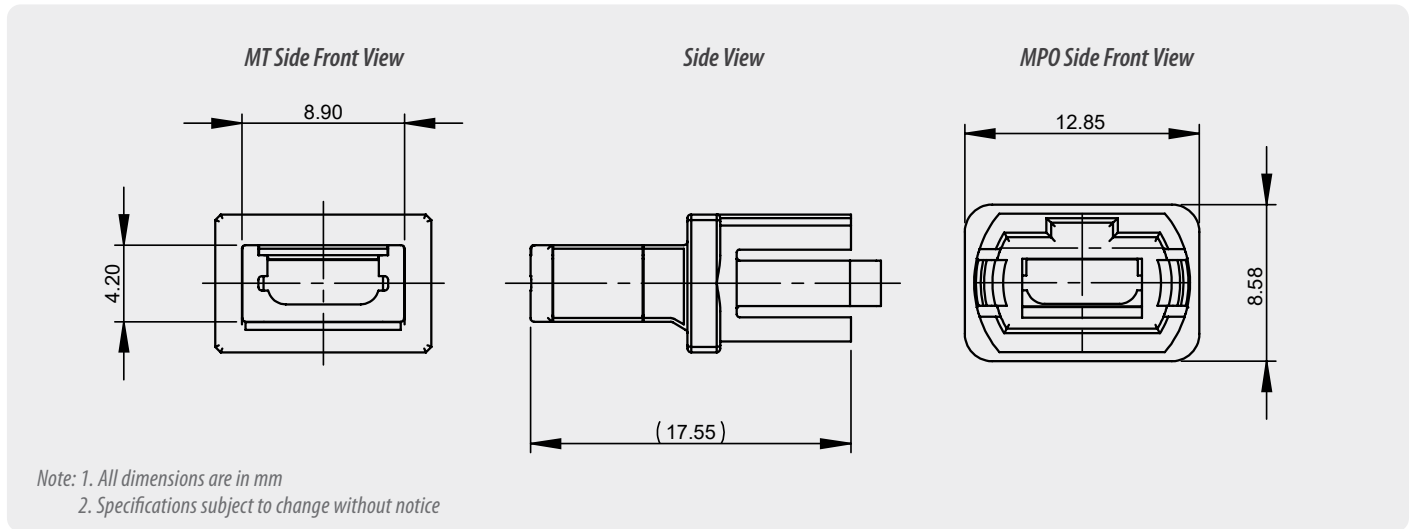
	Value
Operating Temperature	-40°C to +75°C
RoHS Compliance	2015/863 RoHS
REACH Compliance	Yes
Free of Halogen	Yes
Humidity Resistance	95%

MT-MPO LOW-PROFILE ADAPTER

Non-shuttered, center key

MT-MPO DATA SHEET

Adapter Drawing



ORDERING



MT-MPO Low-Profile Adapter

ADAPTER TYPE		FERRULE TYPE		HOUSING COLOR	
7P5	MT-MPO Low-Profile Adapter Center Key	SM	Angled MT Ferrule Alignment	1	Black

7P5 - SM - 1 ORDER CODE example

SENKO[®]

Advanced Components

sales-americas@senko.com
1-858-623-3300

senko.com/contact