

## **Micro LC** **CONNECTOR** **92B/94B Series**



The SENKO Micro LC connector is designed to be compact, eliminating the need for finger access to the latch mechanism of traditional LC connectors. This allows LC adapters to be mounted much closer together than previously possible, maximizing space efficiency. Its small size combined with bayonet-style connectivity makes it particularly suitable for Behind-the-Wall (BTW) applications, where space constraints are critical.

The Micro LC Solution is a comprehensive family of products, developed to provide an optimal, high-density solution for both private and public network environments. These connectors are compatible with the IEC 61754-20 standard, ensuring compatibility and performance consistency across various applications. Notably, the Micro LC connector offers a 60% increase in density compared to standard LC connectors, making it an excellent choice for settings requiring a high concentration of connections in a limited space, ensuring efficient and reliable performance.

### FEATURES

- High density solution
- Staggered array configuration
- Space saving design
- Bayonet connectivity
- Compatible to IEC 61754-20 LC connectors
- IEC Grade B compatible

### APPLICATIONS

- Telecommunications
- Data centers
- Local area networks (LANs)
- Fiber to the Home (FTTH)
- Fiber to the Antenna (FTTA)
- Enterprise networks
- Medical equipment
- Industrial applications
- Military and aerospace
- Broadcasting

### KEY BENEFITS

- ✓ **Optimized fiber management**
- ✓ **Increased panel density**
- ✓ **Ease of installation**

## Mechanical Data

	Value
Durability	<0.2dB typical change, 500 matings
Fiber Count	Simplex (1 Fiber)
Cable Suitability	900 $\mu\text{m}$
Ferrule Material	Zirconia

## Optical Data

	Singlemode				Multimode
	UPC		APC		MM
	Low Loss	Standard	Low Loss	Standard	Standard
Typical Insertion Loss (dB)*	0.05	0.08	0.07	0.12	0.10
Max. Insertion Loss (dB)*	0.15	0.20	0.15	0.25	0.20
Typical Return Loss (dB)*	$\geq 55$		$\geq 65$		$\geq 25$
Ferrule Diameter ( $\mu\text{m}$ )	125				127

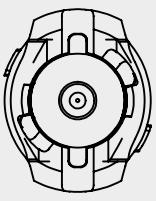
\* Based on master grade jumper to low loss random mating test

## Environmental Data

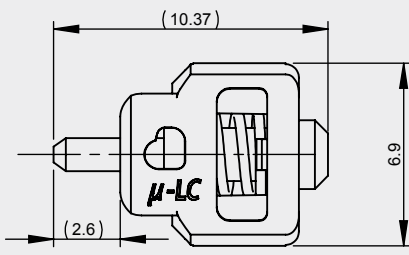
	Value
Operating Temperature	-40°C to +75°C
RoHS Compliance	Yes
REACH Compliance	Yes
Humidity Resistance	95%

## Connector Drawing

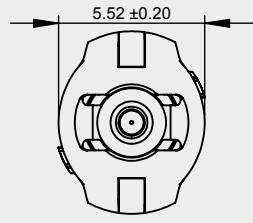
*Front View - Senior Side*



*Side View*




*Back View - Junior Side*



*Note: 1. All dimensions are in mm.  
2. 2 mm Mini Boot shown, other boot options are available upon request.  
3. Specifications subject to change without notice.*


## ORDERING



CODE	FERRULE TYPE	HOUSING
92B uLC Premium	153 SM: Premium 125µm	T Beige
	159 SM: Low Loss 125µm	A Aqua
	251 MM: Premium 127µm	L Blue

Micro LC UPC Connector

928 - 153 - T ORDER CODE example



CODE	FERRULE TYPE	HOUSING
94B uLC APC Premium	153 SM: Premium 125µm	G APC-Green
93B uLC APC Premium Separate Piece	159 SM: Low Loss 125µm	

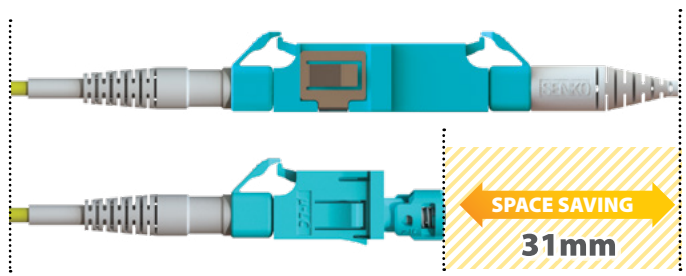
Micro LC APC Connector

948 - 153 - T ORDER CODE example



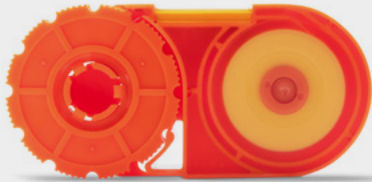
CODE
RMT-702 Installation-removal tool

RMT-702 ORDER CODE example



**Accessories - Production/Cleaning**

**Smart Cleaner™**  
**Cassette**  
 PN: SCK-CC-100



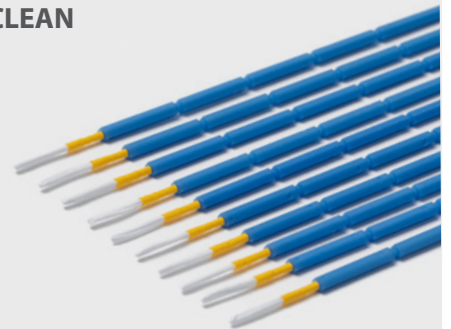
**Smart Cleaner™**  
**Mini 1.25 mm Clicker**  
 PN: SCK-SS-M-C125  
 Refill PN: SCK-SS-CS-R



**Smart Cleaner™**  
**1.25 mm Clicker**  
 PN: SCK-SS-CS  
 Refill PN: SCK-SS-CS-R



**1.25 mm NEOCLEAN  
 Cleaning Stick**  
 PN: CSK-01



**Accessories - Interferometry**

**SUMIX Manta W+ Inspection Scope**  
 PN: SMX-Manta-W+



- Inspects 12 fiber in 2.6 seconds, 24 fiber in 4.5 seconds
- 0.5µm defect detection
- Inspection tips for MPO, CS, SN, LC available

**SUMIX Max QM+ Inspection Scope**  
 PN: MAX-Quantum



- Inspects 12 fiber in 2.6 seconds, 24 fiber in 4.5 seconds
- 0.5µm defect detection

# SENKO<sup>®</sup>

Advanced Components

[sales@senko.com](mailto:sales@senko.com)  
1-858-623-3300

[senko.com/contact](https://senko.com/contact)