

IP-RC **CONNECTOR** Weatherproof Field Installable



SENKO's IP-RC connector is expertly crafted for outdoor use, boasting weatherproof sealing and a field-installable design. It's fine-tuned for FTTA network deployment, including Radio Units (RU) and other devices, ensuring compatibility with widely deployed RU interfaces. The connector kit features a feed-through shroud, facilitating straightforward and dependable field installations without the need for specialized tools.

Today's majority of RU equipment depends on SFP transceiver modules, necessitating LC duplex fiber optic interfaces. The IP-RC Connector seamlessly pairs with SENKO's Uniboot style LC connector series, providing robust protection. With an outdoor-rated fiber patch cord that has a pre-terminated LC connector, the IP-RC connector transforms it into a dependable cable suitable for RU equipment.

FEATURES

- IP67 rated sealing housing
- Plastic robust body
- UV resistance for outdoor applications
- Field installable
- Suitable for 4.8-12.0 mm cable

APPLICATIONS

- Conduit type available
- Radio unit interface
- Wireless outdoor applications

KEY BENEFITS

- ✓ **IP67 rated protected connection**
- ✓ **Field installable with pre-assembled fiber cable**

Mechanical Data

	Value
Pull Force	45lbf or 200N
Cable Suitability	4.8 - 12.0 mm

Environmental Data

	Value
IP Rating*	IP67
Operating Temperature (C)	-40°C to +75°C
UV Resistance	Yes
RoHS Compliance	2015/863 RoHS
REACH Compliance	Yes

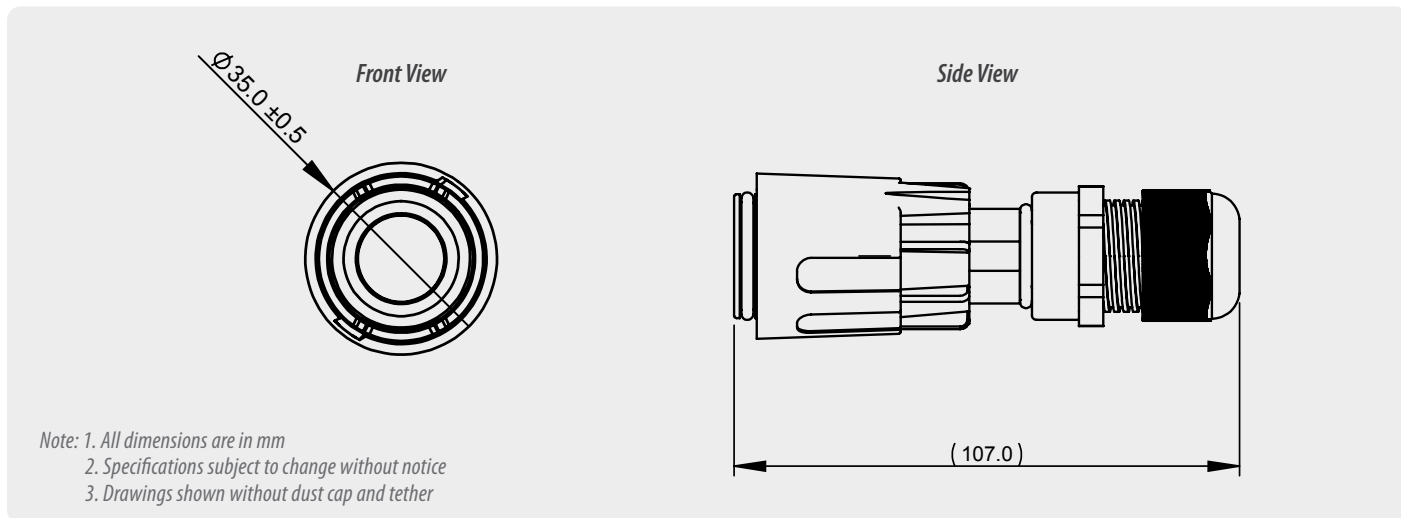
* The IP rating was validated using a SENKO sourced cable and termination procedure. It is recommended to retest IP rating for any other cable types.

IP-RC CONNECTOR

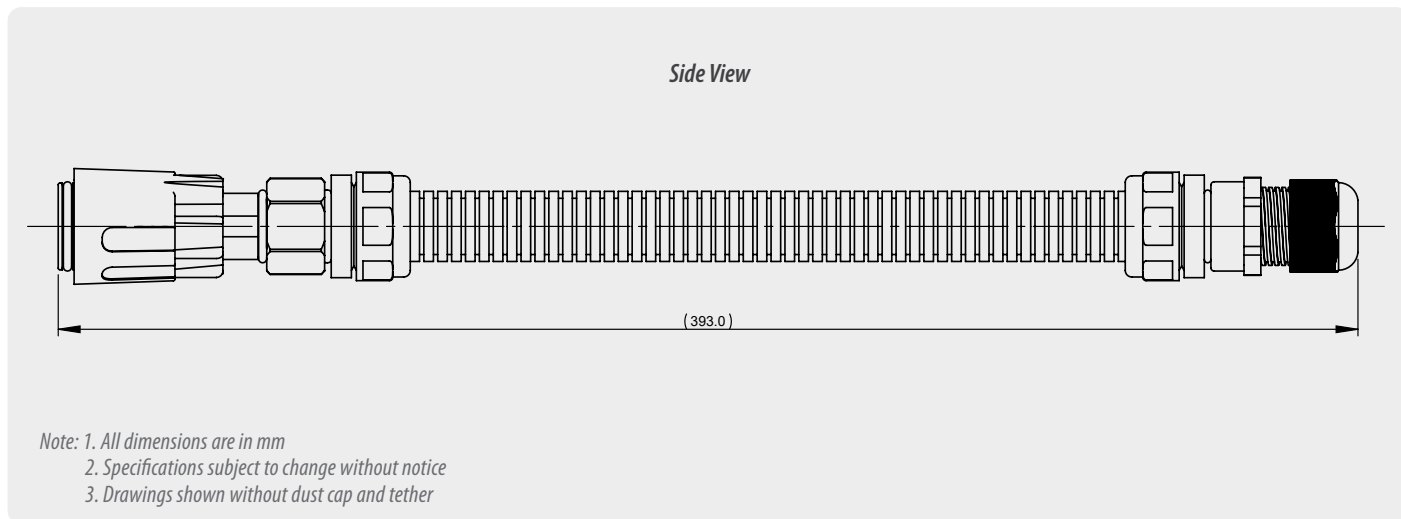
Connector

HARSH ENVIRONMENT SERIES DATA SHEET

Connector Drawing



Conduit Drawing



ORDERING

CONNECTOR TYPE	CABLE SIZE	INNER CONNECTOR TYPE	DUST CAP			
			None	With Dust Cap/Laynard		
IP-RC FEXT	IP-RC Connector	B	4.8 - 8.0 mm	00	None	Without Dust Cape
IP-RC FCD25	Conduit Type	C	7.8 - 10.0 mm		D	With Dust Cap
		D	9.0 - 12.0 mm		DL	With Dust Cap/Laynard

IP-RC Connector

Conduit Type

IP-RC-FEXT - B - 00 - D ORDER CODE example

Note: IP-RC Connector Kit does not include LC connectors. Senko recommends LC Switchable Uniboot Connector (948 LC Series) to be used with IP-RC Connector Kit.

SENKO[®]

Advanced Components

sales@senko.com
1-858-623-3300

senko.com/contact