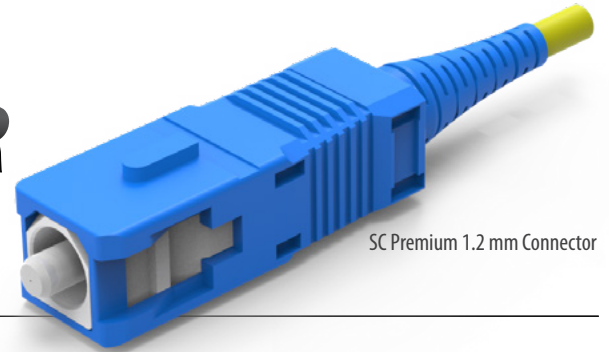


## SC PREMIUM CONNECTOR 1.2 mm Boot



SENKO's SC Premium Connector 1.2 mm boot is based on the Senko Premium SC range and specifically designed to accept a reduced size, 1.2 mm cable that is commonly found in highly dense telecommunications cable racks and cabinets.

Cable assemblies utilizing the SC Premium connector with a 1.2 mm boot offer a substantial reduction in equipment congestion, while maintaining the performance, quality, and reliability that are typically associated with larger cables. The SC Premium connector with a 1.2mm Boot has been designed to meet the requirements of GR-326 15lb Proof and TWAL test for media 1 to reduce cable congestion without sacrificing mechanical strength.\*

As with all the SC Premium connector range, this version has been specifically designed and optimized to meet the most demanding of applications to give class leading low loss performance. It uses high quality components and keying features to achieve the best possible fiber to core-to-core alignment, dramatically minimizing the effect of Apex Offset and achieving superior Insertion Loss and Return Loss results.

As with all SENKO SC Connector ranges, the SC Premium connector 1.2 mm boot it is fully compliant to IEC 61754-4 with a push pull mechanism and 2.5 mm ferrules and can be configured for singlemode and multimode fiber.

### FEATURES

- Compact design for 1.2 mm cable without a reduction in robustness compared to 2.0 mm and 3.0 mm cable
- Senko premium connector with superior Insertion and return loss
- Fully compliant with IEC 61754-4
- Push-pull coupling mechanism for repeatable and simple installation
- Singlemode and multimode variants
- Housing can be color-coded
- Typical IL SM 0.08dB (UPC), MM 0.10dB

### APPLICATIONS

- Telecommunications networks
- Data center networks
- FTTX networks
- Premise distribution networks
- Industrial and defense systems

### KEY BENEFITS

- ✓ **Significantly reduced cable congestion**
- ✓ **Efficiency improvements**
- ✓ **Industry leading Low Loss performance**
- ✓ **Reliable in extreme temperatures**
- ✓ **Excellent manufacturability yields**

\* Note: Cable and termination dependant

**Mechanical Data**

	Value
Durability	500 matings per TIA-568.3
Fiber Count	Simplex (1 fiber)
Cable Suitability	1.2 mm diameter
Ferrule Material	Zirconia

**Optical Data**

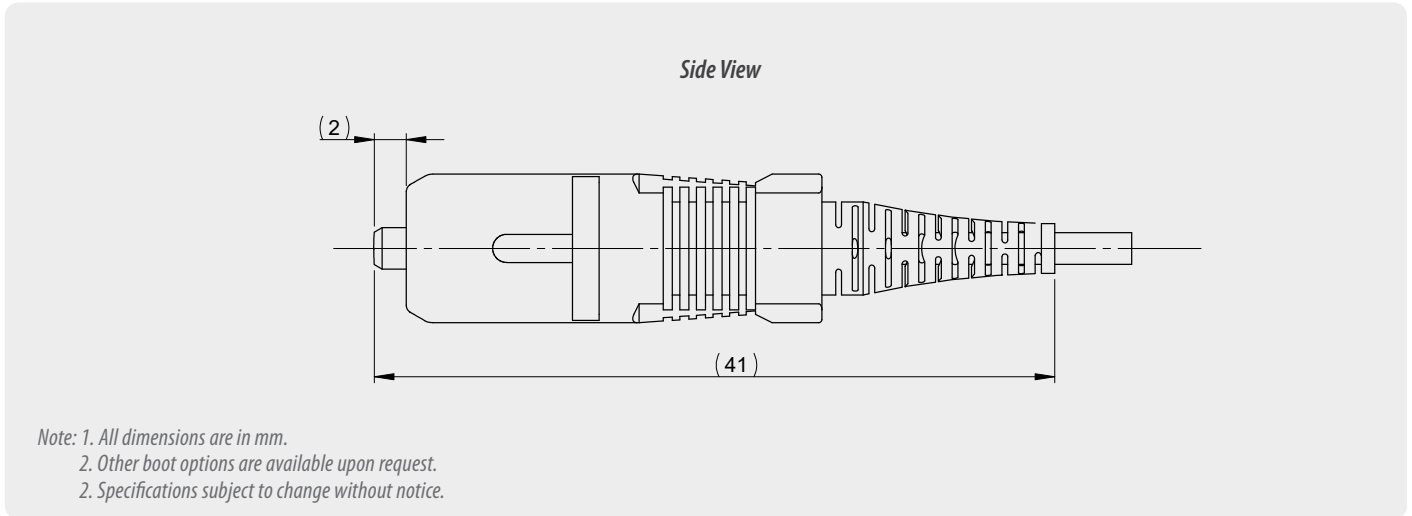
	Singlemode		Multimode
	UPC	APC	MM
	SM Standard	SM Standard	Premium
Typical Insertion Loss (dB)*	0.08	0.12	0.10
Max. Insertion Loss (dB)*	0.20	0.25	0.20
Typical Return Loss (dB)*	≥55	≥65	≥25
Ferrule Diameter (µm)	125		127
Operating Temperature	<0.1dB typical change, 500 matings		

\* Based on master grade jumper to low loss random mating test

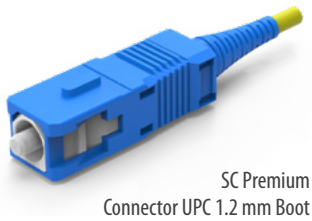
**Environmental Data**

	Value
Operating Temperature	-40°C to +75°C
RoHS Compliance	Yes
REACH Compliance	Yes
Humidity Resistance	95%

**Connector Drawing**



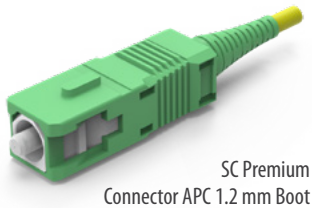
**ORDERING**



CONNECTOR	FERRULE TYPE	HOUSING	BOOT SIZE	BOOT COLOR
556 SC Premium 1.2 mm Assembled	193 SM Premium 125µm	4 Violet (OM4)	R 1.2 mm	1 Blue
557 SC Premium 1.2 mm Un-Assembled	291 MM Premium 127µm	5 Aqua (OM3)		7 White
		6 Blue		
		7 Black		
		8 Red		
		9 Beige		

556 - 193 - 4R7 ORDER CODE example

*Note: Singlemode housings and boots are only available in green*



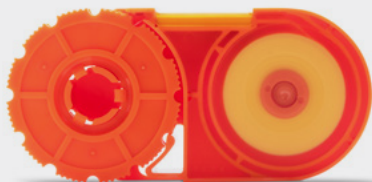
CONNECTOR	FERRULE TYPE	POLISH	BOOT TYPE
596 SC APC Step 1.2 mm Assembled	193 SM Premium 125µm	1 No Angle	R 1.2 mm
597 SC APC Step Premium 1.2 mm Un-Assembled	291 MM Premium 127µm	2 Pre-angle	
598 SC APC Cone Premium 1.2 mm Assembled			
599 SC APC Cone Premium 1.2 mm Un-Assembled			

596 - 193 - 1R ORDER CODE example

*Note: Singlemode housings and boots are only available in green*

**Accessories - Production/Cleaning****Smart Cleaner™****Cassette**

PN: SCK-CC-100

**Smart Cleaner™****2.5 mm Clicker**

PN: SCK-SS-250

Refill PN: SCK-SS-250-R

**SC Crimp Tool**

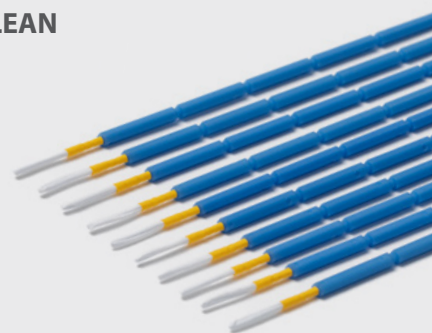
PN: CRT-401 SC, FC, ST One Piece Connectors

CRT-501 SC Connector Kit 132 Series

CRT-705 SC/LC 1.2 mm Connector

**2.5 mm NEOCLEAN  
Cleaning Stick**

PN: CSK-02

**Accessories - Interferometry****SUMIX Max W+ Inspection Scope**

PN: SMX-MANTA-W+



The MANTA W+ inspection scope is designed for high-performance inspection of all types of single fiber and multi-fiber optical connectors, patch cords and bulkheads. The MANTA HM inspection scope is used to detect scratches, contamination and other surface defects as small as 0.75  $\mu\text{m}$  on the end face of the connector.

**SUMIX Max QM+ Inspection Scope**

PN: MAX-QM+



The MAX-QS+ is a white-light and phase-shift interferometer for inspection of single fiber ST, FC, SC, LC, CS, SN, E2000™ (PC and APC), small format multi-fiber MT-RJ (PC and APC), SMA and special connectors. MAX-QS+ features portable design, autofocus, 100 micron scan range for fiber height and resolution of 1.1  $\mu\text{m}$ .

Contact [sales@senko.com](mailto:sales@senko.com)  
or visit our website for more details

**Contact  
SENKO**

# SENKO<sup>®</sup>

Advanced Components

[sales@senko.com](mailto:sales@senko.com)  
1-858-623-3300

[senko.com/contact](https://senko.com/contact)