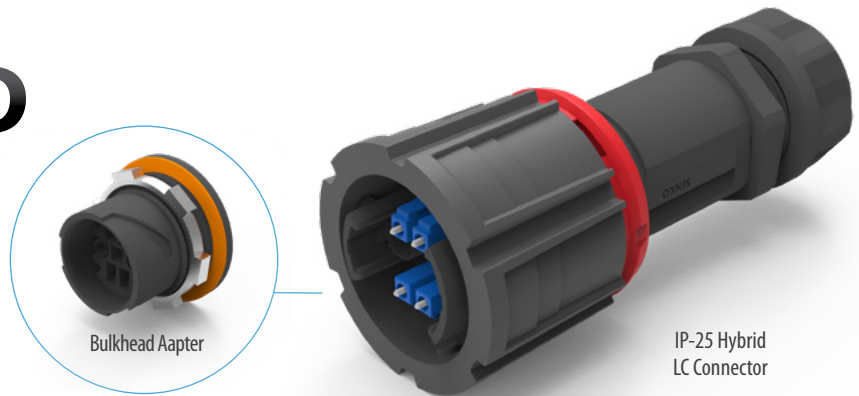




IP-25 HYBRID LC SERIES Connector Bulkhead Adapter



The IP-ONE (Optical 'N' Electrical) series is designed to simplify the deployment of fiber and power connectivity by combining them into a single connector. This innovative solution offers a streamlined cabling process that saves time and money while ensuring reliability and performance.

One of the latest offerings from the IP-ONE series is the SENKO IP-25 LC connector series. This hybrid connector features a pair of 6-10 AWG conductors and two LC duplex connectors, allowing for the transmission of both power and fiber signals in a single cable. The IP-25 LC connector is housed in a robust plastic casing with an IP68 rating, ensuring its durability and resistance to harsh environmental conditions.

As the demand for hybrid cable solutions in macro cell deployment continues to rise, the IP-25 LC Hybrid series offers a cost-effective and simplified cabling solution. With its easy-to-install design and low cost, this connector series enables faster and more efficient deployment of fiber and power connectivity. By reducing installation time and costs, the IP-25 LC Hybrid series helps to increase productivity and profitability for businesses of all sizes.

FEATURES

- IP68 rated hardened connector body
- 2 x LC duplex connectors (4-fiber)
- 2 x 6-10 AWG conductors
- High power applications
- Bayonet lock with patented Safe Lock Ring
- UV resistance for outdoor applications
- 100 lbs superior pull force
- Easy and quick termination
- 13-19 mm OD cable compatible

APPLICATIONS

- FTTA
- Macro cell
- Hybrid trunk cable

KEY BENEFITS

- ✓ **High power hybrid (fiber + power)**
- ✓ **IP68 robust housing**
- ✓ **100 lbs pull force**

IP-25 HYBRID LC SERIES

Connector, bulkhead adapter

HARSH ENVIRONMENT SERIES DATA SHEET

Mechanical Data

	Value
Proof	100 lbf or 450 N for 120 seconds
Durability	50 matings
Fiber Count	2 x Duplex (4 fibers)
Cable Suitability	13.0 - 19.0 mm round

Optical Data

	Singlemode				Multimode
	UPC		APC		MM
	Low Loss	Standard	Low Loss	Standard	Standard
Typical Insertion Loss (dB)*	0.05	0.08	0.07	0.12	0.10
Max. Insertion Loss (dB)*	0.15	0.20	0.15	0.25	0.20
Typical Return Loss (dB)*	≥55		≥65		≥25

* Based on master grade jumper to low loss random mating test

Environmental Data

	Value
IP Rating*	IP68
Operating Temperature (C)	-40°C to +75°C
UV Resistance	Yes
RoHS Compliance	2015/863 RoHS
REACH Compliance	Yes

* The IP rating was validated using a SENKO sourced cable and termination procedure. It is recommended to retest IP rating for any other cable types.

Electrical Data

	Current Rating
Maximum DC	600V / 70A ^{1,2}
Conductor Size	6-10AWG x 2 (2 pairs)

1 - Current rating at 25C ambient temperature. For higher temperature ratings, please follow Local and National Electrical Codes and requirements.

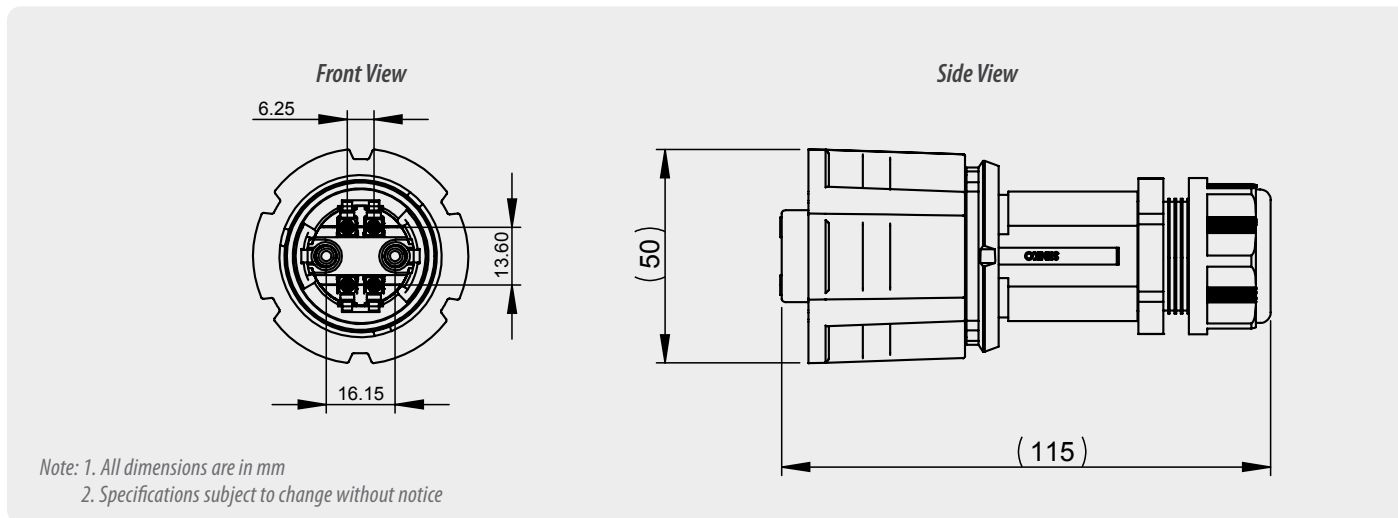
2 - IP-25 Hybrid Connector Series is UL listed.

IP-25 HYBRID LC SERIES

Connector

HARSH ENVIRONMENT SERIES DATA SHEET

Connector Drawing



ORDERING



CODE	CONNECTOR TYPE	FIBER TYPE	FIBER COUNT	CABLE SIZE	COPPER CABLE GAUGE SIZE					
IP25C1	LC	LC Connector	L	SM UPC	04	4 Fibers	G	13-18 mm	02	10-6AWG
			G	SM APC Green						
			A	OM3 MM Aqua						
			V	OM4 MM Violet						
			M	OM5 Lime Green						

IP25C1 - LCL04 - G - 02 ORDER CODE example

IP-25 Connector Dust Cap

CODE	PRODUCT TYPE	GENERATION
IP25	DC1 Connector Dust Cap	01 Gen1

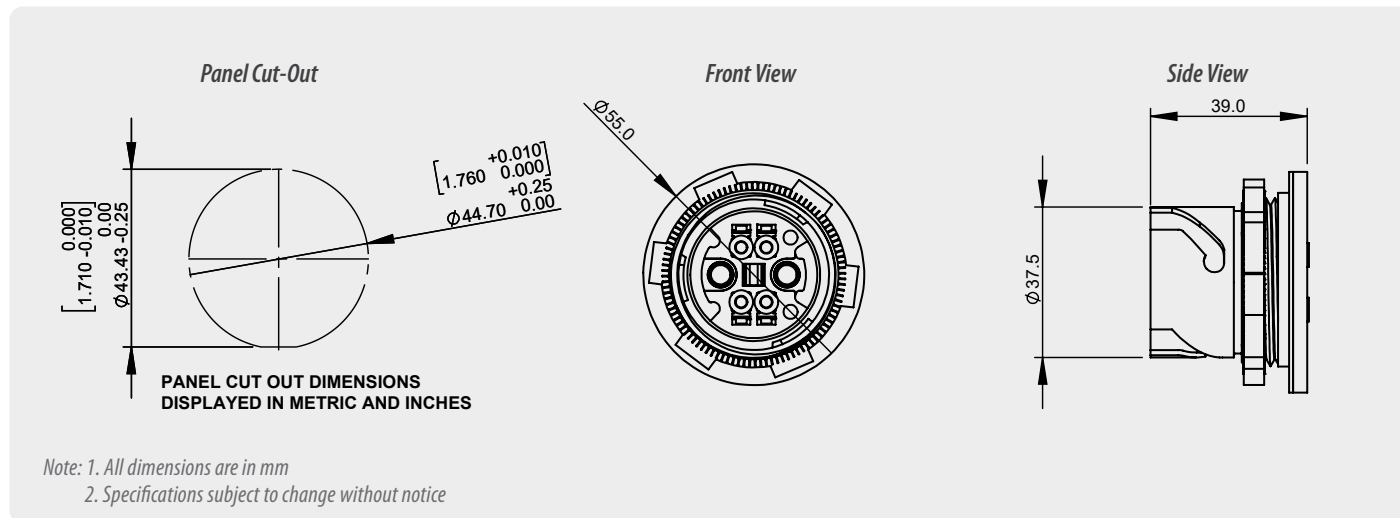
IP25DC1 - 01 ORDER CODE example

IP-25 HYBRID LC SERIES

Bulkhead adapter

HARSH ENVIRONMENT SERIES DATA SHEET

Bulkhead Adapter Drawing



ORDERING



IP-25 Hybrid LC Bulkhead Adapter

CODE	ADAPTER TYPE	CONNECTOR TYPE	PORT COUNT	LOCK RING	COPPER CABLE GAUGE SIZE
IP25	AB2 Bulkhead Adapter	LC LC Adapter	4 4 Ports	00 With Lock Ring and Gasket	02 10-6AWG

ORDER CODE example: IP25AB2 - LC400 - 02

CODE	PRODUCT TYPE	GENERATION
IP25	DA1 Mating Adapter Dust Cap	01 Gen1

ORDER CODE example: IP25DA1 - 01

IP-25 HYBRID LC SERIES

Accessories

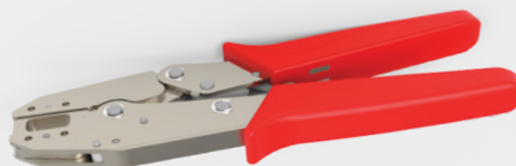
HARSH ENVIRONMENT SERIES DATA SHEET

Accessories - Production/Cleaning**NEOCLEAN F 1.25 MM**

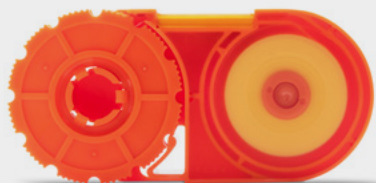
PN: SCK-SS-F125

**IP-25 Crimp Fixture**

PN: CRT-IP25-01

**Smart Cleaner™
Cassette**

PN: SCK-CC-100

**IP-25 Contact Extraction Tool**

PN: IP25-EXT-01



SENKO[®]

Advanced Components

sales@senko.com
1-858-623-3300

senko.com/contact