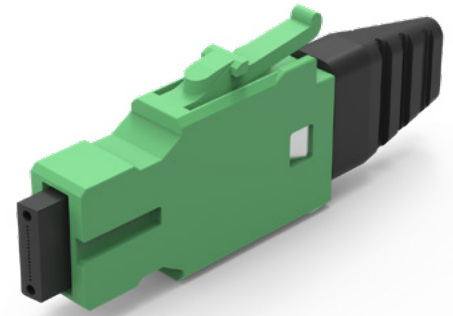


SN[®]-MT16 **JUNIOR CONNECTOR** Multi-fiber (16f), 200 μm Single Row, BTW (Behind The Wall)



SN-MT16 Junior Connector

The SN[®]-MT16 Junior connector is designed for applications that require less space consumption BTW (Behind The Wall) than conventional cable-based connectors. With a much shorter body length and boot length than conventional connectors, the SN[®]-MT16 Junior offers users the chance to reduce the depth of cassettes and modules as well as free up valuable space within fiber management panels for additional hardware such as coherent devices or electronic equipment.

The SN[®]-MT16 Junior connector has a latch on the upper side of the connector that provides an audible click when it is plugged into an adapter. At the rear of the connector is a boot that will accept 16-fiber ribbon with a 200 μm construction. Junior connectors are most commonly used for applications such as high fiber-count ribbon splicing or optoelectronic applications where additional space is required BTW.

The SN[®]-MT16 Junior connector is compatible with standard SN[®]-MT adapters.

FEATURES

- Compatible with 200 μm rollable ribbon cables
- Upper latch mechanism with an audible click
- Reduced connector/boot length
- Low-loss, compact SN-MT ferrule
- 2.7 x denser than MPO16 per 1RU
- 1.3 x denser than MPO32 per 1RU
- Max. Insertion loss 0.35 dB
- No special adapter required

APPLICATIONS

- High-density ribbon splicing
- Pre-terminated fiber-management
- Co-packaged optics
- Coherent optics
- Optoelectronic equipment panels

KEY BENEFITS

- ✓ **2.7 x denser than MPO**
- ✓ **High fiber-count ribbon splicing**

Mechanical Data

| | Value |
|------------------------|--|
| Durability | 50 matings per GR-1435-Core |
| Fiber Count | Multi-fiber (16 Fibers) |
| Cable Suitability | 16-fiber, 200 μm ribbon |
| Ferrule Material | Polymer |
| Dust Protection Method | Removable dust plugs that encapsulate the ferrules |

Optical Data

| | Singlemode | Multimode |
|------------------------------|--|-----------|
| | APC | MM (APC) |
| | SM Premium Low Loss | Premium |
| Typical Insertion Loss (dB)* | 0.15 | 0.15 |
| Max. Insertion Loss (dB)* | 0.35 | 0.35 |
| Typical Return Loss (dB)* | ≥60 | ≥45 |
| Ferrule Diameter (μm) | SN-MT ferrule 16-fiber, 200 μm in a single row | |

* Specifications provided are target only based on master grade jumper to low loss random mating test

Environmental Data

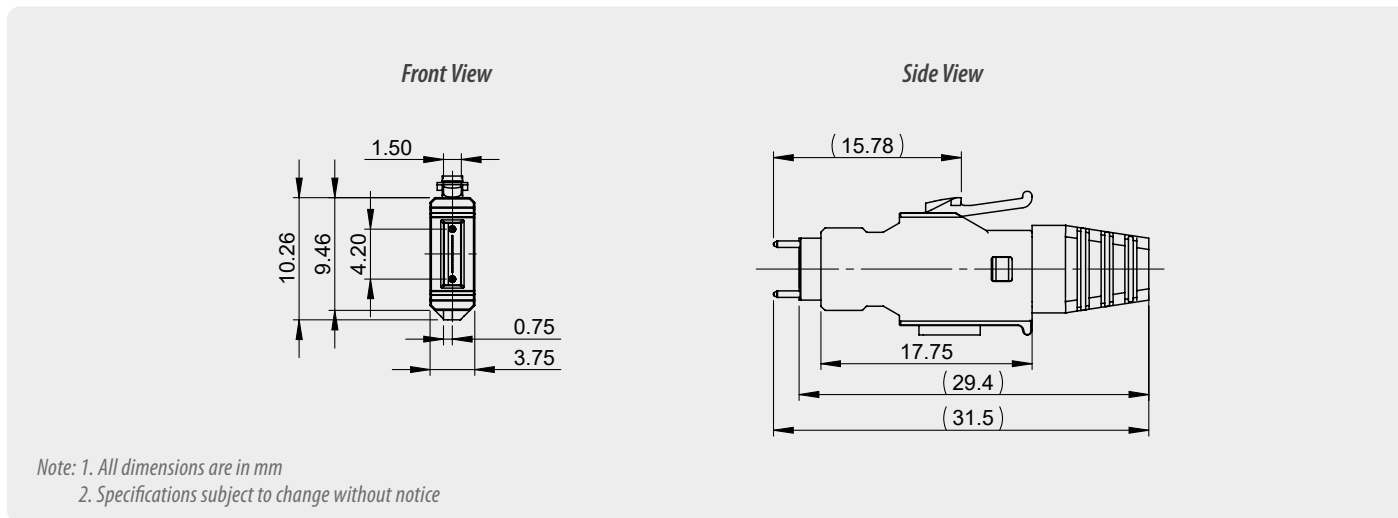
| | Value |
|-----------------------|----------------|
| Operating Temperature | -40°C to +75°C |
| RoHS Compliance | 2015/863 RoHS |
| REACH Compliance | Yes |
| Free of Halogen | Yes |
| Humidity Resistance | 95% |

SN[®]-MT16 JUNIOR CONNECTOR

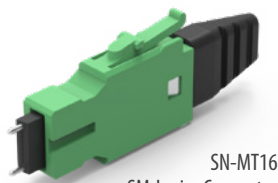
Multi-fiber (16f), 200 μm, single row

SN-MT CONNECTOR DATA SHEET

SN[®]-MT16 Junior Standard Drawing



ORDERING



SN-MT16
 SM Junior Connector
 APC for 16-fiber 200 μm ribbon

| CONNECTOR TYPE | | GUIDE PIN GENER | | PERFORMANCE | | FIBER COUNT | | HOUSING COLOR | | BOOT TYPE | | BOOT COLOR | |
|----------------|-------------------------------------|-----------------|-----------------|-------------|-------------------|-------------|----------|---------------|-------|-----------|------------------------|------------|-------|
| 643 | SN-MT Junior Connector with Ferrule | M | Male (With Pin) | SL | SM Super Low Loss | 16 | 16 Fiber | G | Green | 1 | Bare Ribbon Fiber Boot | 3 | Black |

643 - MSL16 - G13 ORDER CODE example

Note: Connector supplied with protective dust-cap

SENKO[®]

Advanced Components

sales@senko.com
1-858-623-3300

senko.com/contact